

Home Projector

EH-LS300W | androidtv

EH-LS300B | androidtv

Quick Start Guide

Kurzanleitung

Guide de démarrage rapide

Guida di avvio rapido

Guía de inicio rápido

Guia de Referência Rápida

Introductiehandleiding

Introduktion

Pika-aloitusopas

Hurtigveiledning

Snabbstartsguide

Úvodní příručka

Bevezetés

Przewodnik szybkiego startu

Stručná příručka

Ghid de pornire rapidă

Οδηγός γρήγορης εκκίνησης

Hızlı Başlangıç Kılavuzu

Priročnik za hitri zagon

Kratke upute

Руководство по быстрой установке

Коротка інструкція "Початок роботи"

Қысқаша іске қосу нұсқаулығы

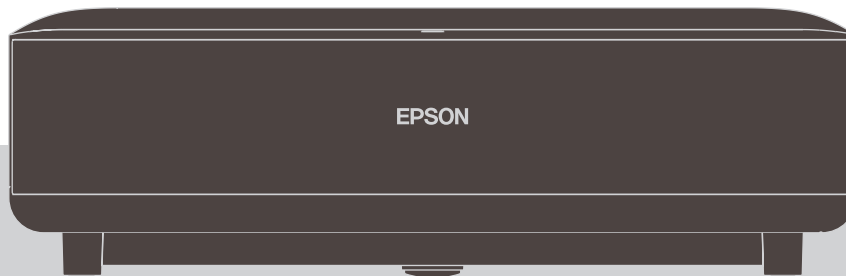
빠른 시작 가이드

دليل البداية السريعة

設定手冊

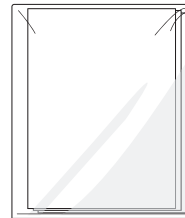
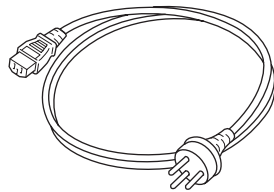
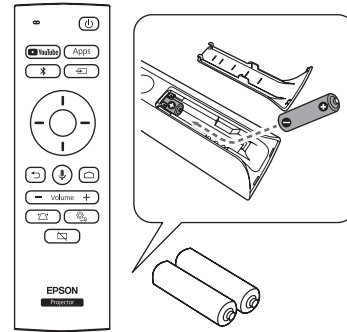
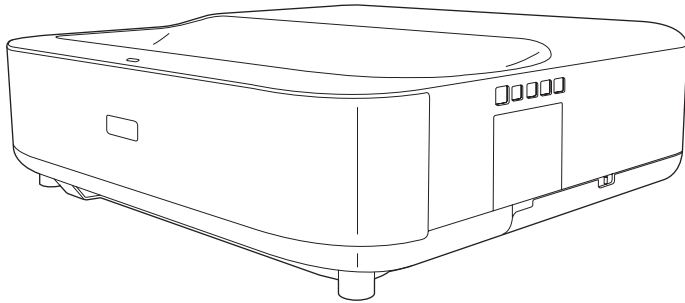
設定説明書

EPSON[®]
EXCEED YOUR VISION

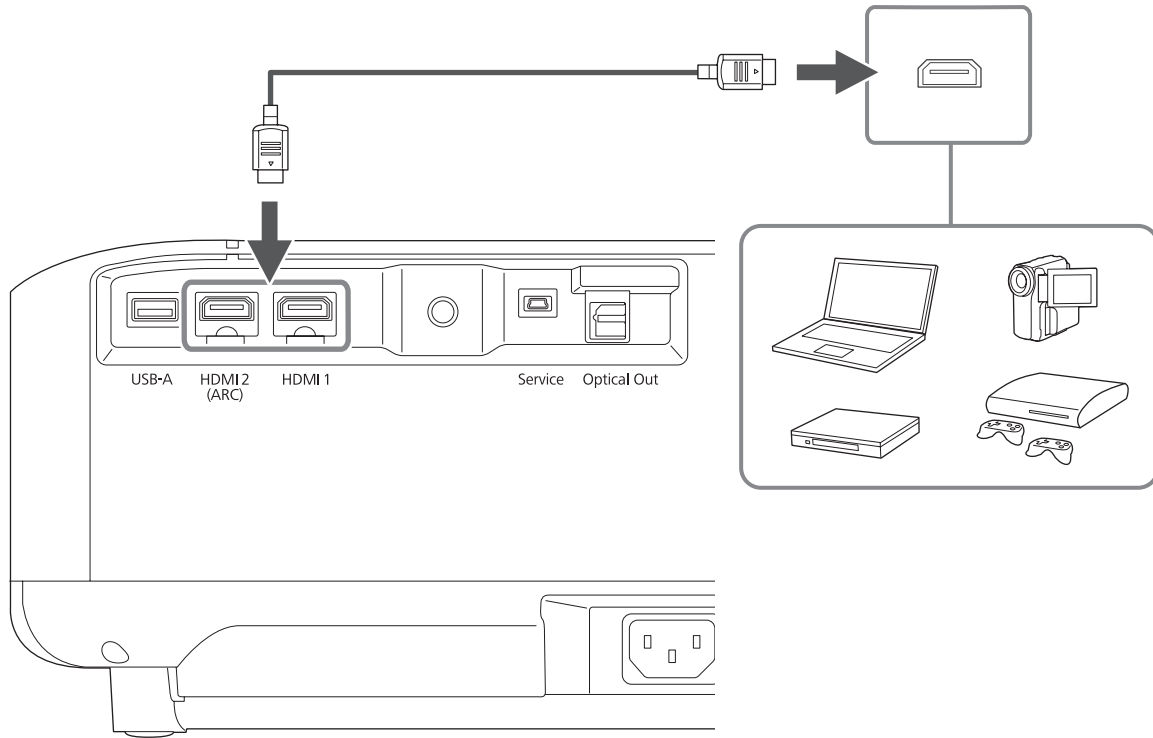


HDMI[™]
HIGH DEFINITION MULTIMEDIA INTERFACE

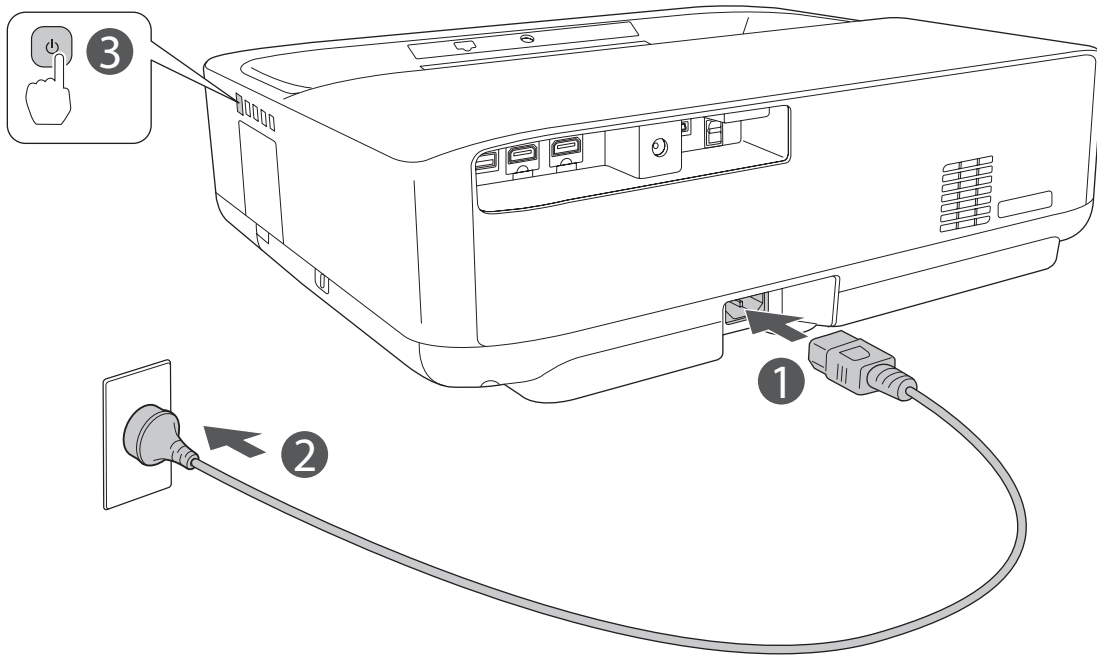
Included items



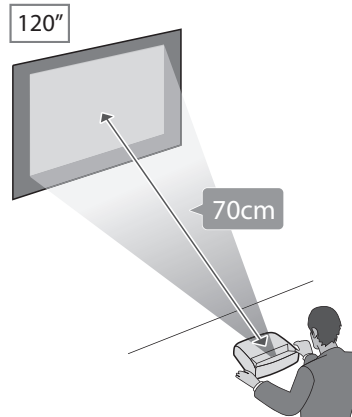
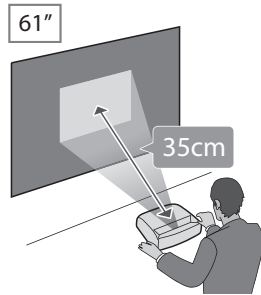
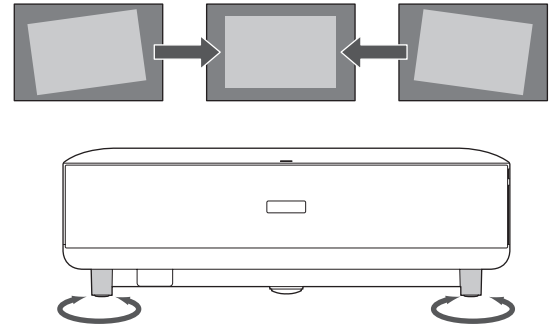
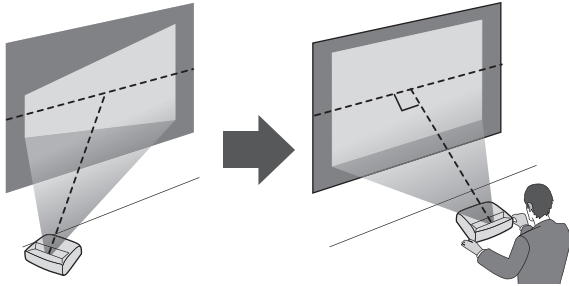
Connecting



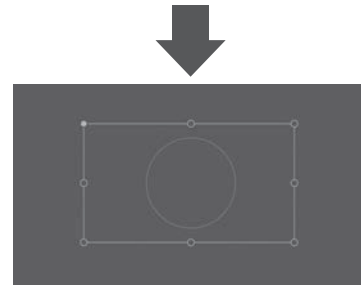
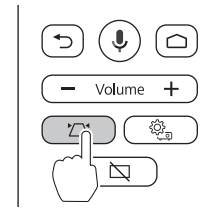
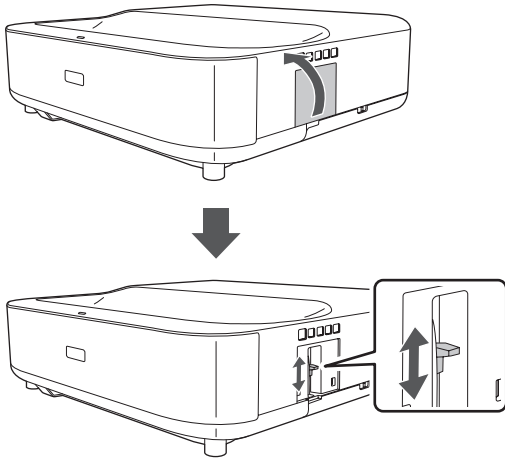
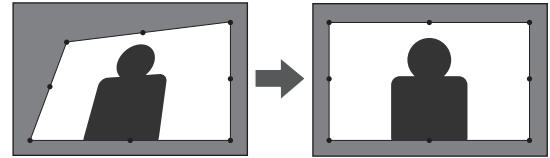
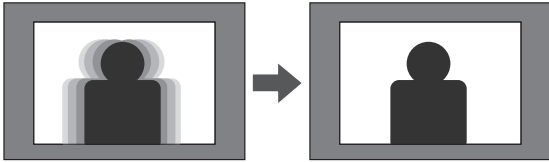
1 Turn on the projector



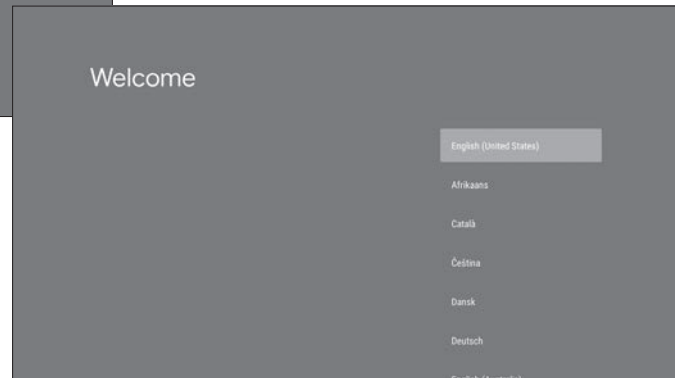
2 Install the projector



3 Correct the image

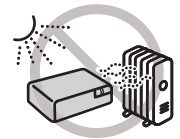


4 Pair the remote controller & Select your language



For more information

epson.sn 



Google, Google Play, YouTube and Android TV are trademarks of Google LLC.

HDMI, the HDMI Logo and High-Definition Multimedia Interface are trademarks or registered trademarks of HDMI Licensing Administrator, Inc.

© 2020 Seiko Epson Corporation



414045900