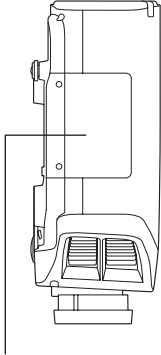
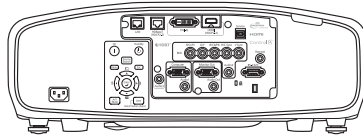
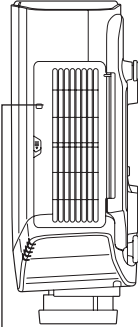
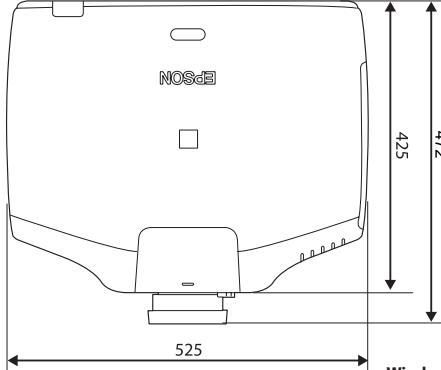


# Dimensions

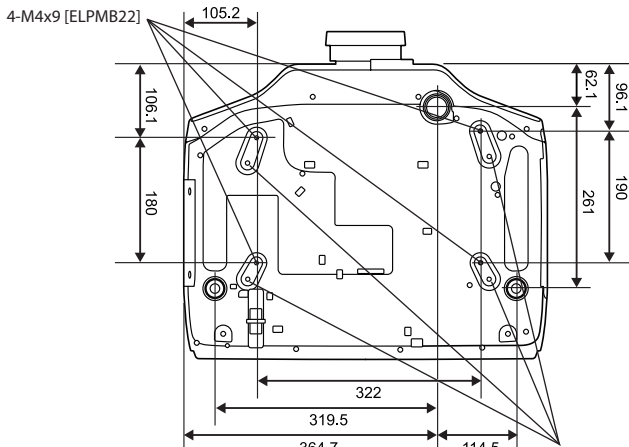
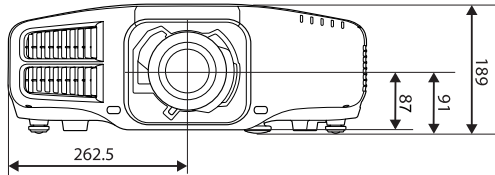
[Units: mm]



**Lamp cover**  
You need screwdriver #2 to replace the lamp.



**Wireless LAN unit installation section**  
(Inside the air filter cover)



4-M4x9 [ELPMB22]

4-M6x15 [ELPMB47/ELPMB48]

The figures and numbers are when the ELPMB08 is attached.