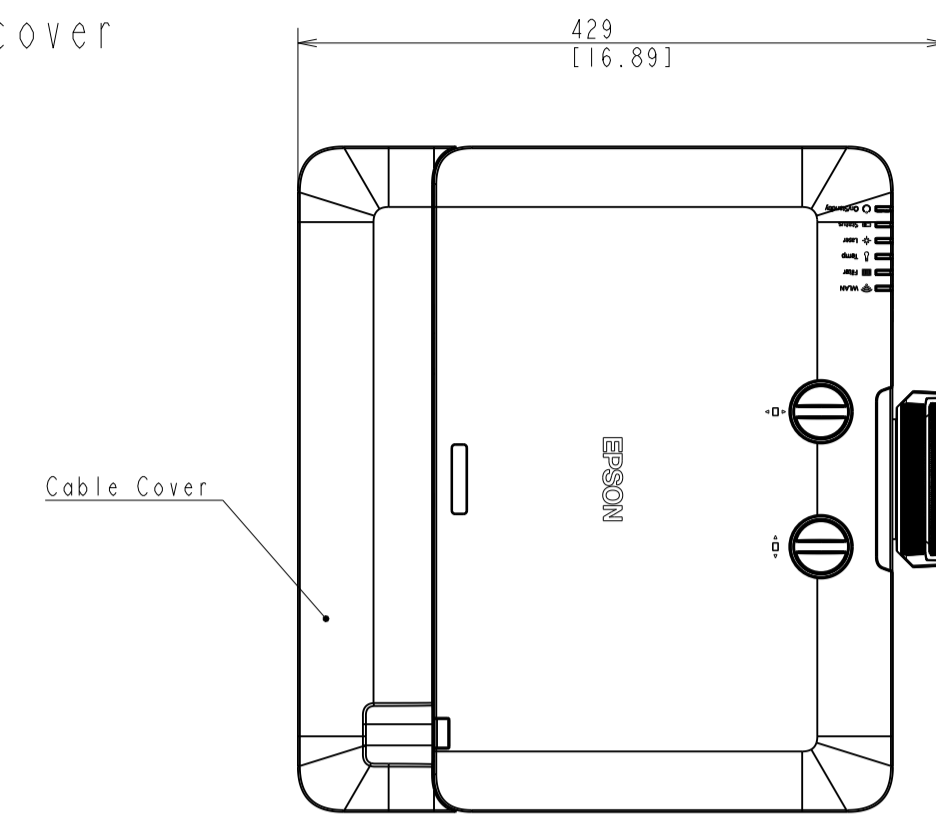
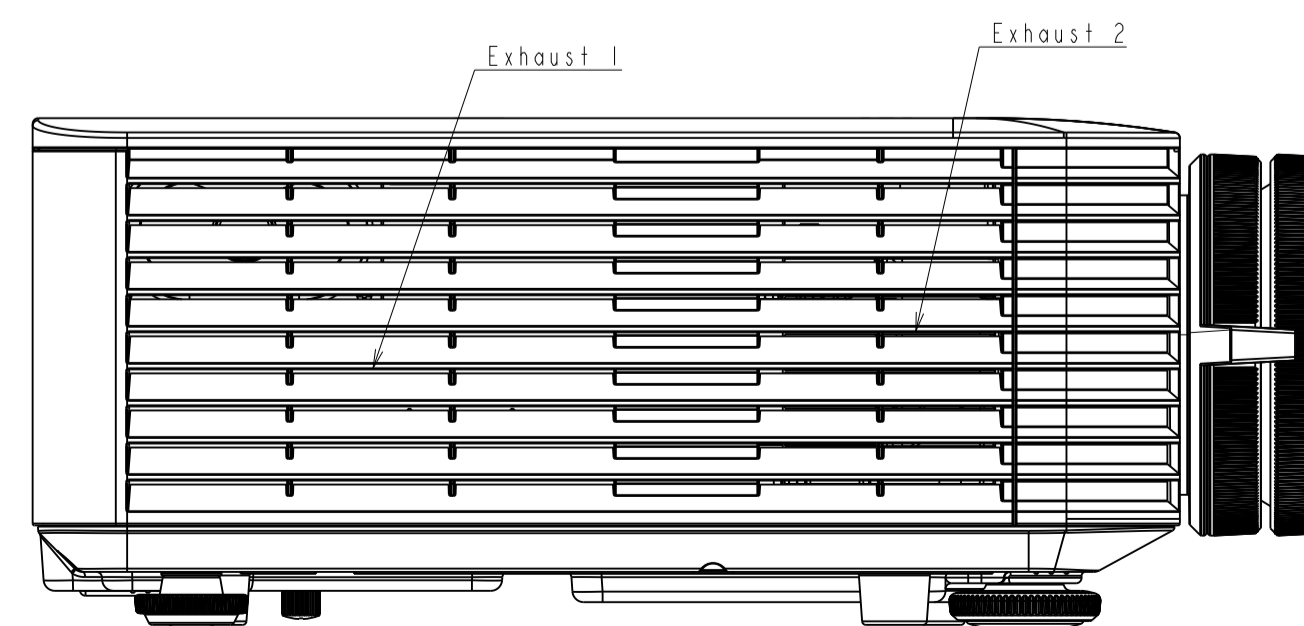
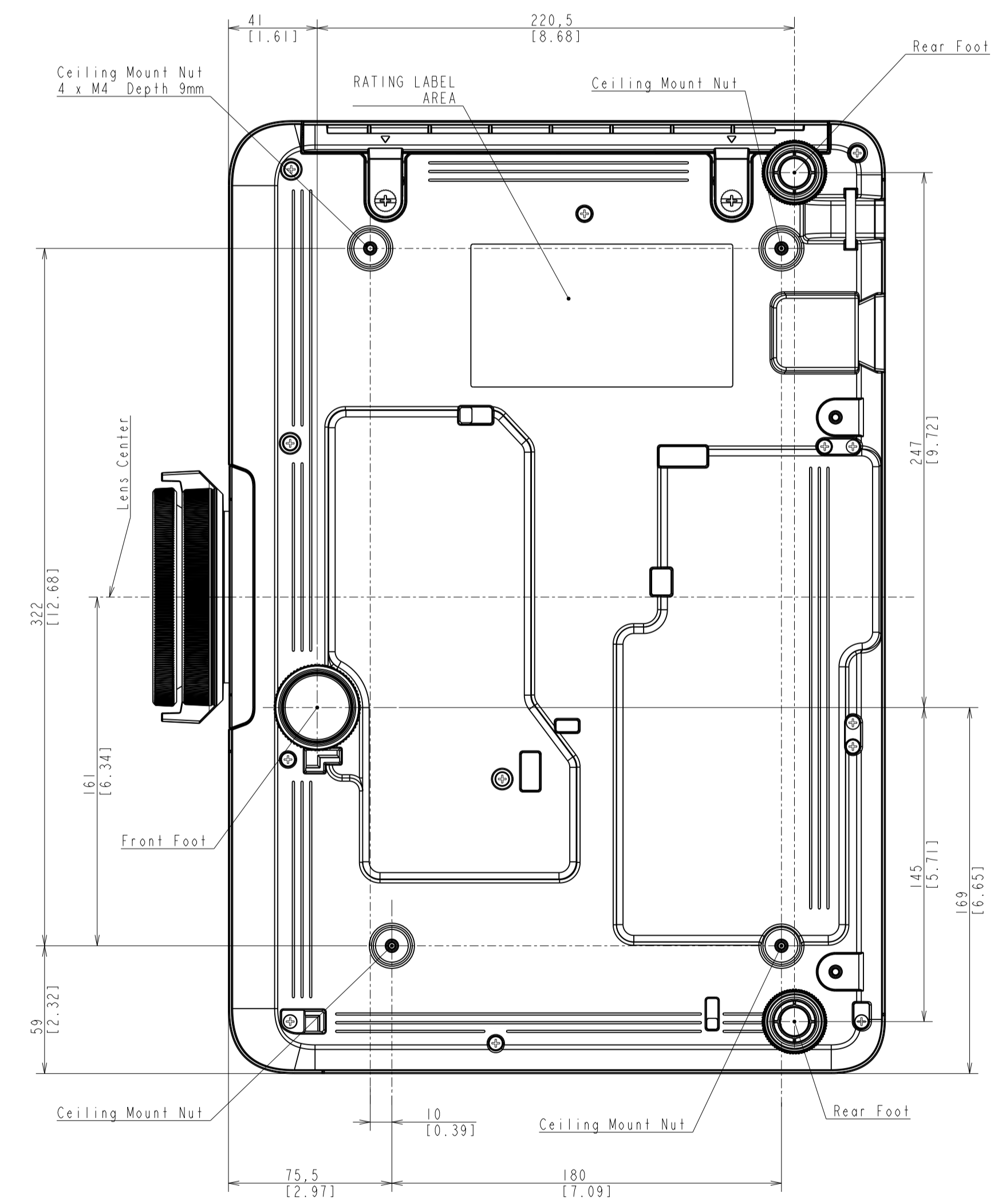
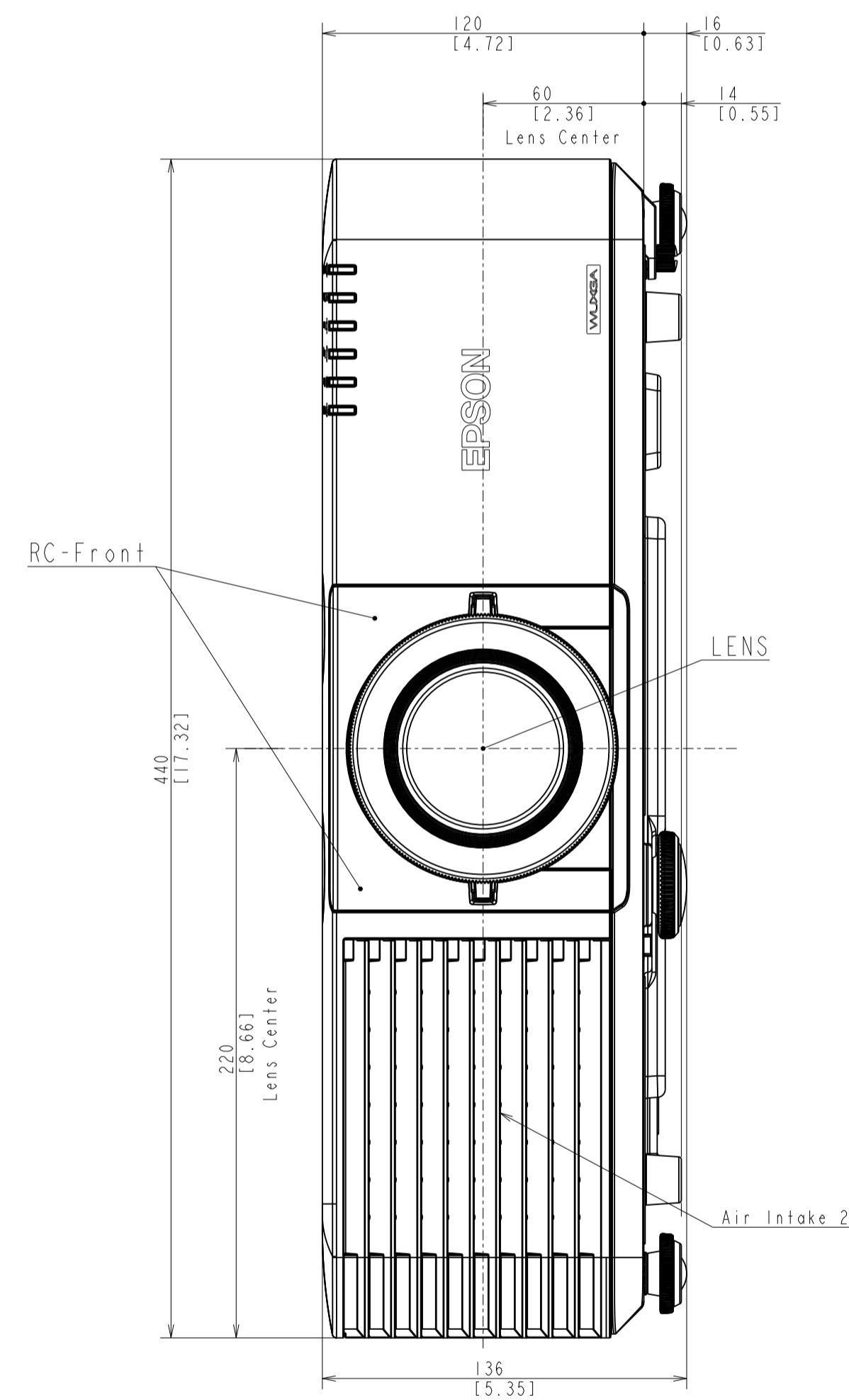
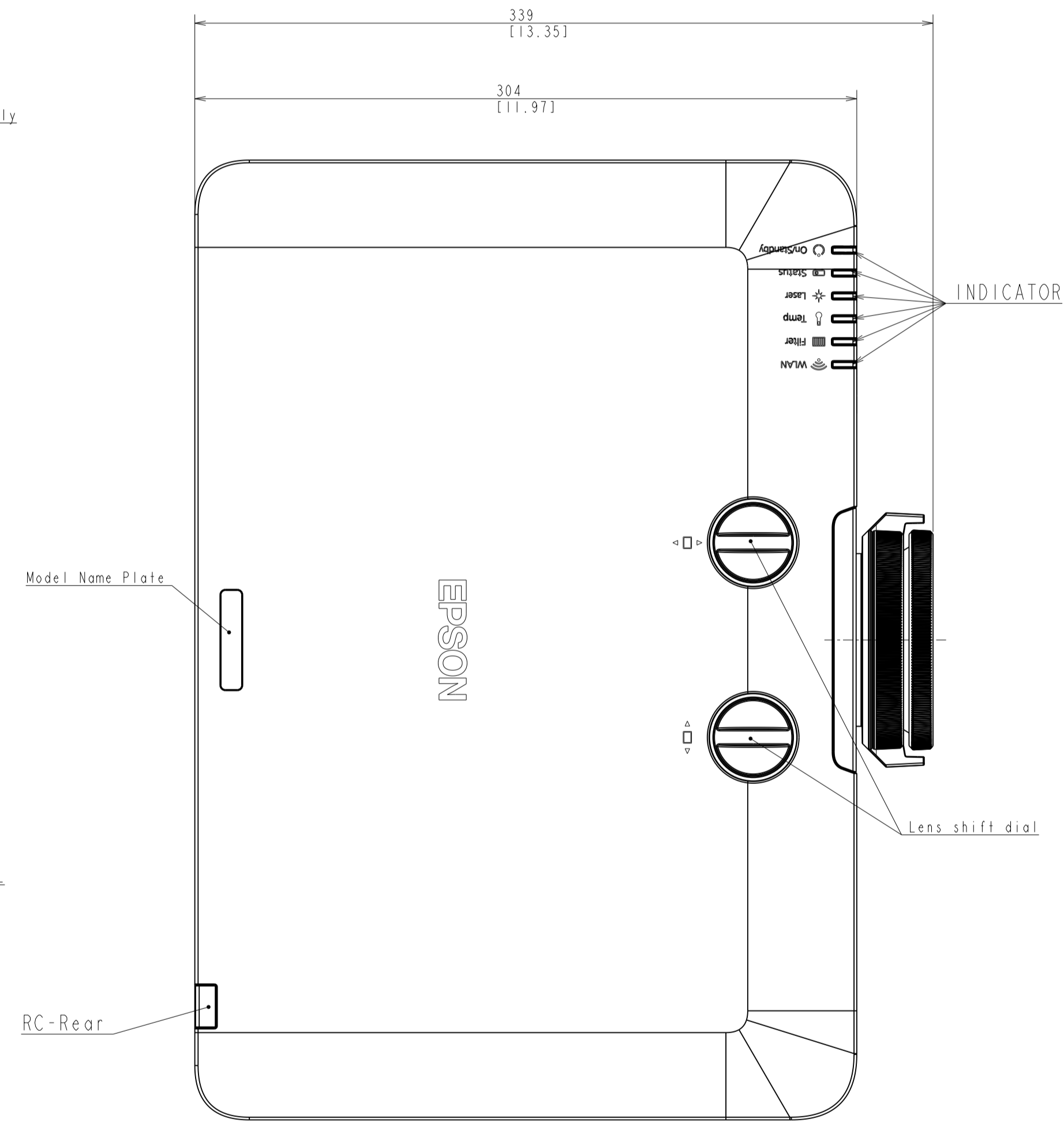
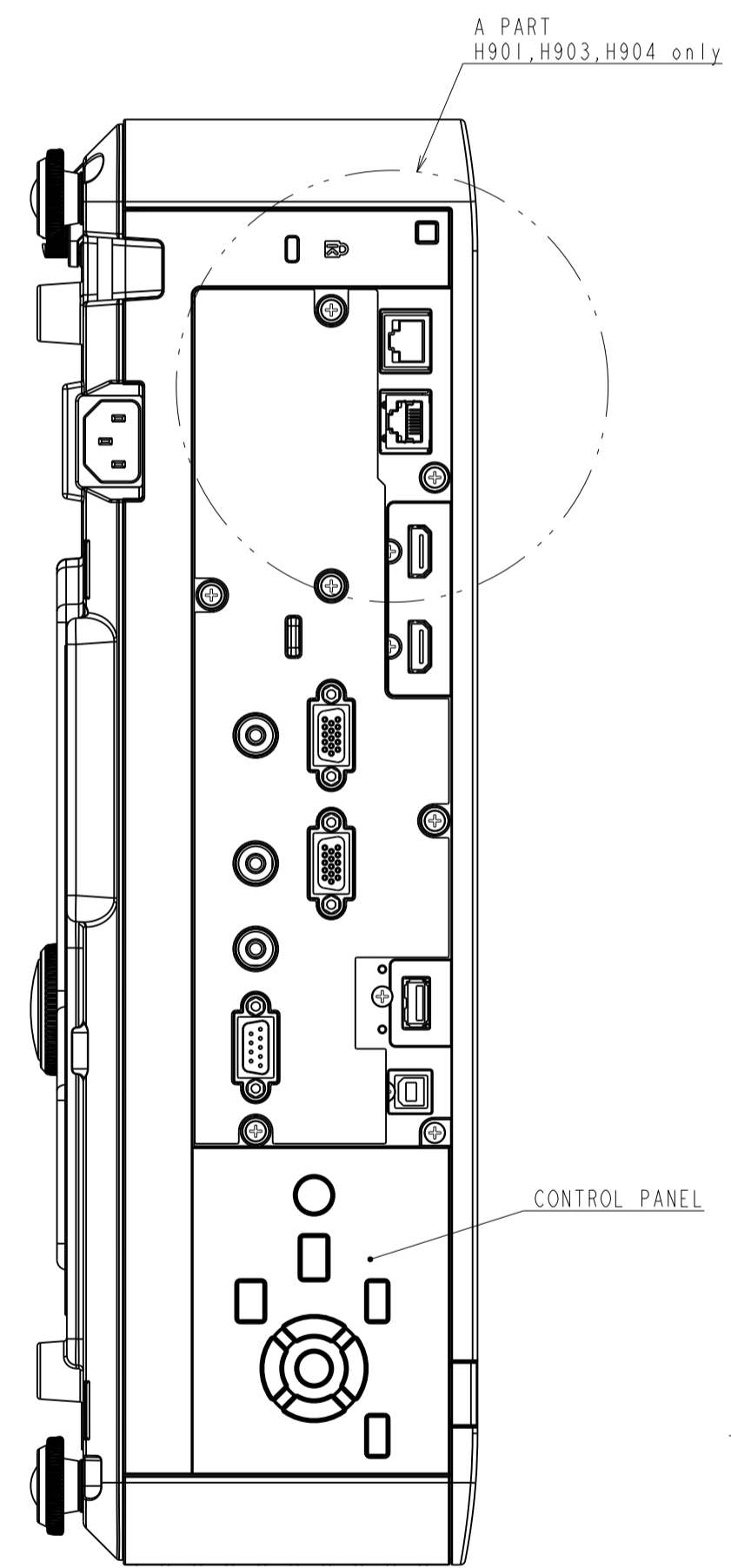


Outline of the model with the cable cover



20-B/Scale 1:5



NOTE
Unit of Dimension
Upper :mm
Lower :[inch]