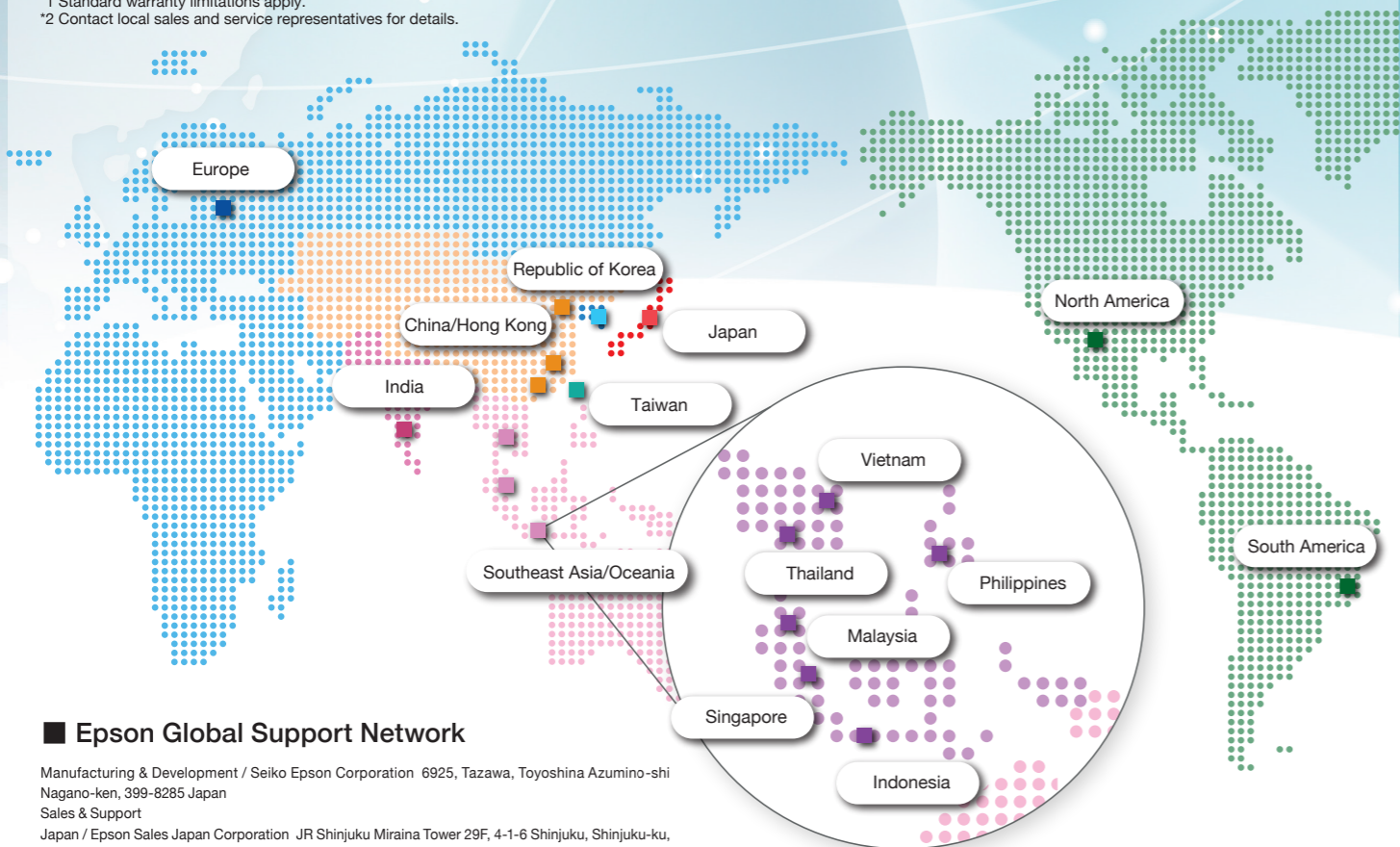


# With Epson industrial robots, you get the highest standards of safety and reliability and the support of a global sales and service network

## Top-quality service and support worldwide

Our global network of sales and service centers is firmly dedicated to maintaining a consistently high level of product and service quality in every region. For products under warranty, we offer on-site assistance to deal with any malfunctions or problems<sup>\*1</sup>, and through our authorized sales and service representatives we offer warranty coverage for machines that are later moved to other locations<sup>\*2</sup>, assuring top-quality support wherever you are.

<sup>\*1</sup> Standard warranty limitations apply.  
<sup>\*2</sup> Contact local sales and service representatives for details.



### Epson Global Support Network

Manufacturing & Development / Seiko Epson Corporation 6925, Tazawa, Toyoshina Azumino-shi Nagano-ken, 399-8285 Japan  
 Sales & Support  
 Japan / Epson Sales Japan Corporation JR Shinjuku Miraina Tower 29F, 4-1-6 Shinjuku, Shinjuku-ku, Tokyo, Japan  
 North America / Epson America, Inc. 18300 Central Avenue Carson, CA 90746 USA  
 South America / Epson do Brasil Industria e Comercio, Ltda. Av. Tucunare, 720 Tambore Barueri, Sao Paulo, SP-0646-0020 Brazil  
 Europe / Epson Deutschland GmbH Ott-Hahn-Str. 4 D-40670 Meerbusch Germany  
 China-Hong Kong / Epson China Co., Ltd 7F, Jinbao Building, No.89 Jinbao Street, Dongcheng District, Beijing 10005, China  
 Taiwan / Epson Taiwan Technology & Trading Ltd. 15F., No.100, Songren Rd., Sinyi Dist., Taipei City, 11073 TAIWAN  
 Southeast Asia / Epson Singapore Pte. Ltd. 438B Alexandra Road, #04-01/04, Block B, Alexandra Technopark, Singapore 119968  
 Korea / Epson Korea Co, Ltd. 10F Posco P&S Tower, Teheranro 134(Yeoksam-dong), Gangnam-gu, Seoul, 06235, Korea  
 India / Epson India Pvt. Ltd. 12th Floor, The Millenia, Tower A, No. 1, Murphy Road, Ulsoor, Bangalore - 560008

### Epson Southeast Asia Regional Support Network

Singapore / Epson Singapore Pte Ltd / 438B Alexandra Road, Block B Alexandra Technopark #04-01/04, Singapore 119968  
 Thailand / Epson (Thailand) Co., Ltd / 1 Empire Tower, 42nd Floor, South Sathorn Road, Yannawa, Sathorn, Bangkok 10120, Thailand  
 Indonesia / PT Epson Indonesia / CIBIS Tower 9 3rd Floor, CIBIS Business Park, Jl. T B Simatupang No. 2 Jakarta Selatan 12560, Indonesia  
 Vietnam / Epson Vietnam Company Limited / CII Tower (Park View Residence), Ground Floor, 152 Dien Bien Phu street, Ward 25, Binh Thanh district, Ho Chi Minh City, Vietnam  
 Malaysia / Epson Malaysia Sdn Bhd / 3rd Floor, East Tower, Wisma Consplant 1, No.2 Jalan SS 16/4, 47500 Subang Jaya, Malaysia  
 Philippines / Epson Philippines Corporation / 9th Floor Exquadra Tower, 1 Jade Drive, Ortigas Center, Pasig City 1605, Philippines

- Product specifications and appearance are subject to change without notice.
- Microsoft, Windows, Visual Basic, Visual C, and the Windows logo are registered trademarks of Microsoft Corporation.
- DeviceNet and Ethernet/IP are registered trademarks of the Open DeviceNet Vendor Association, Inc.

- CC-Link is a registered trademark of the CC-Link Partner Association.
- PROFIBUS is a registered trademark of PROFIBUS International.
- LabVIEW is a trademark of National Instruments Corporation.

**⚠ Safety Precautions** Please read associated manuals carefully before installing or using our robot products. Always use products properly per guidelines in the manuals.

© 2023 Epson Singapore Pte Ltd. All Rights Reserved. Reproduction in part or in whole, without the written permission from Epson, is strictly prohibited. EPSON and EXCEED YOUR VISION are registered trademarks of Seiko Epson Corporation. All other products names and other company names used herein are for identification purposes only and are the trademarks or registered trademarks of their respective owners. Epson disclaims any and all rights in those marks. Print samples shown are simulations only. Specifications and product availability are subject to change without notice and may vary between countries. Please check with local Epson offices for more information. Apple, iPad and iPhone are trademarks of Apple Inc., registered in the U.S. and other countries. App Store is a service mark of Apple Inc. Android is a trademark of Google Inc.

Dealer's Stamp

Information correct at time of printing  
 Printed August 2023

## EPSON ROBOTS RANGE CATALOGUE 2023



# BRINGING AUTOMATION TO THE NEXT LEVEL.



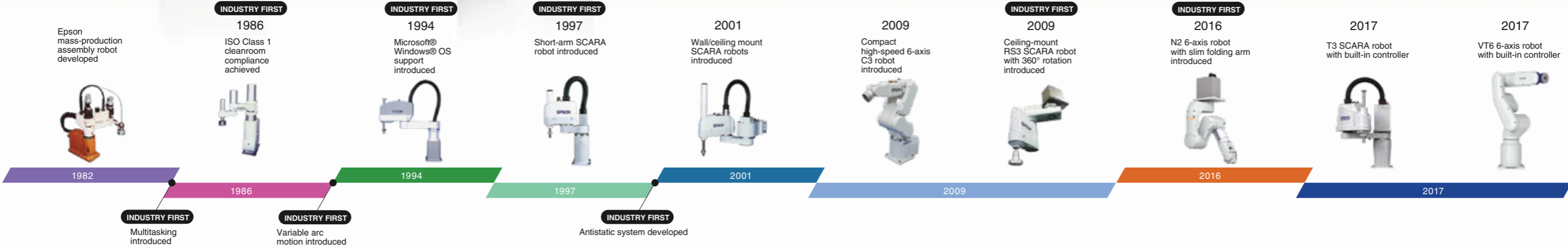
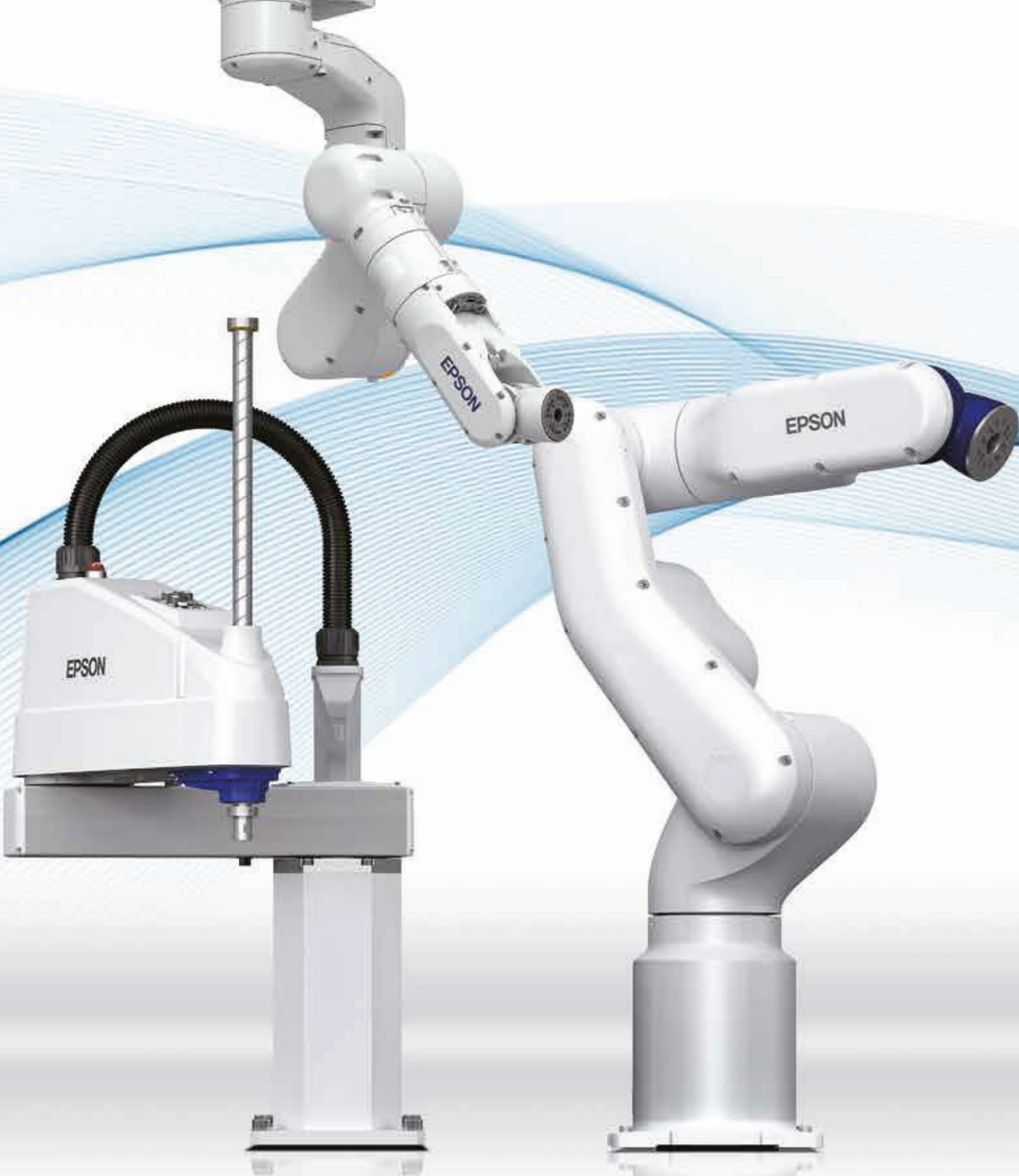
Epson Robots are built for greater efficiency and precision while fusing form and function. Equipped with an optional complementary force sensor that is both sensitive and versatile, the robots are capable of executing a wide range of high precision tasks. Details make all the difference in the world of automation. Experience lower production costs, enhanced quality and increased productivity with Epson's highly reliable robots, while increasing businesses' bottom line.



# Epson Robot

**A proven reputation for precision and reliability at the leading edge of industrial robot design**

Ever since we developed our first SCARA robots for wristwatch assembly over 40 years ago, Epson has been a leader in advanced robotics technology. Today, our long experience in energy-efficient, compact, high-precision technologies enables us to offer a wide range of slim, compact, and lightweight robots. And with the addition of original Epson force sensing and image processing technologies, we are achieving even higher levels of reliability, speed, precision, and productivity in process automation. Whatever challenges you face, Epson industrial robots are continuously evolving to meet the diversifying needs of manufacturers worldwide.



# Why Epson Robots?

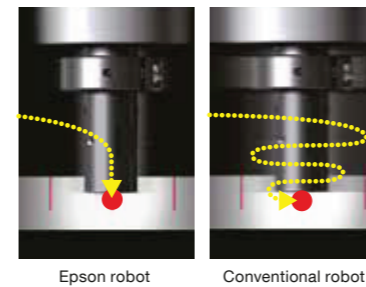
Epson, the global leader in robotics technology, offers you an impressive combination of high performance and operating ease. Backed by a worldwide reputation for reliability and outstanding customer support, Epson robots are bringing high-productivity automated manufacturing to an ever-expanding range of industries worldwide.



## Low TCO and high reliability for the ultimate in automated productivity

### High productivity

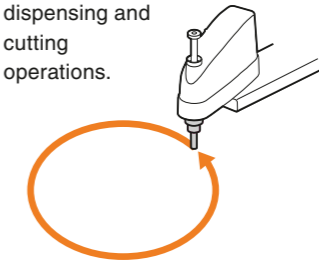
- Proprietary Epson technology reduces residual vibration to ensure high speed and precision for reduced takt time.
- Slim, lightweight body design reduces work cell space requirements while enabling higher productivity.



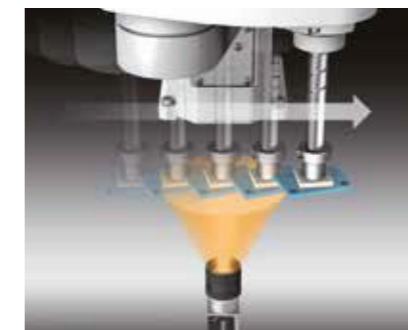
Epson robot      Conventional robot

### High quality

- Extremely accurate toolhead positioning enables high-precision dispensing and cutting operations.



- Integrated machine vision systems boost setup ease and workpiece handling accuracy.



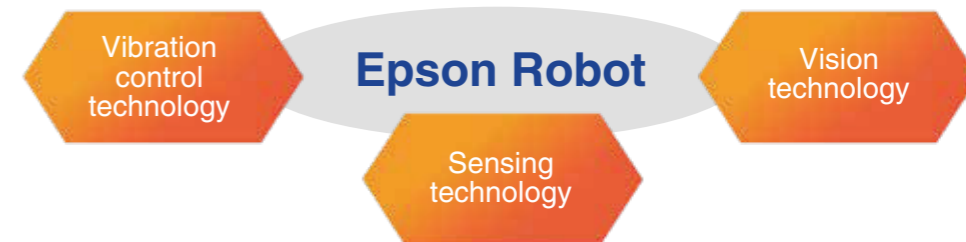
### Easy operation

- Intuitive graphical interface makes programming easy even for first-time users.
- From program testing to full production, improved operating ease helps reduce cost and manpower requirements.



3D simulator for work cell layout and toolpath program testing

### Software Integration



### Global support

Epson supports robotics customers worldwide through an international network of sales and service offices, providing information about equipment configuration options and performing simulations of the tasks that customers want robots to perform. We are also partnered with systems integrators around the world, and can provide end-to-end turnkey solutions to meet virtually any process automation need.


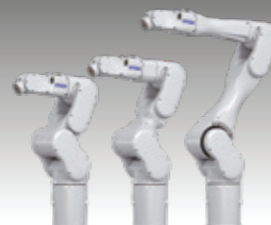



























SCARA robots							
Epson Robot	G Series						
	Top-class speed, repeatability, and low residual vibration						
Publication page	▶ P.9	▶ P.11	▶ P.15	▶ P.17	▶ P.21	▶ P.23	▶ P.23
Model name	G1	G3	GX4	G6	GX8	<b>NEW</b> GX10	<b>NEW</b> GX20
Payload (kg)	4-axis 3-axis 1 1.5	Max 3	Max 4	Max 6	Max 8	Max 10	Max 20
Arm length (mm)	175 225	250 300 350	250 300 350	450 550 650	450 550 650	650 850	850 1000
Environmental specifications	STD Class 3	STD Class 3	STD Class 3	STD Class 3 IP54 IP65	STD Class 3 IP65	STD Class 3 IP54 IP65	STD Class 3 IP54 IP65
Installation specifications	Table Top mount	Table Top mount Wall mount Ceiling mount	Table Top mount Wall mount Ceiling mount	Table Top mount Wall mount Ceiling mount Wall/ceiling multi-layout mount	Table Top mount Wall mount Ceiling mount Wall/ceiling multi-layout mount	Table Top mount Wall mount Ceiling mount Wall/ceiling multi-layout mount	Table Top mount Wall mount Ceiling mount Wall/ceiling multi-layout mount
Compatible controller	RC700-A	RC700-A	RC700-D	RC700-A	RC700-D	RC700-A	RC700-A


































SCARA robots							
LS Series				T Series		RS Series	
Proven reliability and functionality				Built-in controller for cost-efficient automation		Original space-saving design for high productivity	
▶ P.27	▶ P.29	▶ P.31	▶ P.33	▶ P.35	▶ P.37	▶ P.39	▶ P.41
LS3-B	LS6-B	LS10-B	LS20-B	<b>NEW</b> T3-B	<b>NEW</b> T6-B	RS3	RS4
Max 3	Max 6	Max 10	Max 20	Max 3	Max 6	Max 3	Max 4
400	500 600 700	600 700 800	800 1000	400	600	350	550
STD Class 4	STD Class 4	STD Class 4	STD Class 4	STD <sup>*2</sup>	STD <sup>*2</sup>	STD Class 3	STD Class 3
Table Top mount	Table Top mount Wall mount Ceiling mount	Table Top mount Wall mount Ceiling mount	Table Top mount Wall mount Ceiling mount	Table Top mount Wall mount Ceiling mount	Table Top mount Wall mount Ceiling mount	Table Top mount Wall mount Ceiling mount	Table Top mount Wall mount Ceiling mount
RC90-B	RC90-B	RC90-B	RC90-B	Built-in controller	Built-in controller	RC700-A	RC700-A

- STD** Standard
- Class 3** Cleanroom model ISO 03 (Class 10 equiv.) ESD suppression
- Class 4** Cleanroom model ISO 04 (Class 100 equiv.)
- Class 5** Cleanroom model ISO 05 (Class 100 equiv.)
- IP54** Protection model IP54
- IP65** Protection model IP65
- IP67** Protection model IP67
- Table Top mount**
- Wall mount**
- Ceiling mount**
- Wall/ceiling multi-layout mount**

<sup>\*1</sup>: See product page for details  
<sup>\*2</sup>: IP20 <sup>\*3</sup>: Standard model only




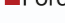
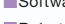

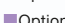


- Controllers**
- Controllers ▶ P.59
- Software**
- Software ▶ P.62
- Vision systems**
- Vision systems ▶ P.67
- Force-sensing systems**
- Force-sensing systems ▶ P.70
- Options**
- Software options ▶ P.74
- Robot controller options ▶ P.76
- Manipulator options ▶ P.79
- Option quick-reference table ▶ P.80
- Option setup example ▶ P.81

Epson Robot	6-axis robots		
	C Series		
	Slim, lightweight body for greater installation flexibility		
Publication page	▶ P.43	▶ P.45	▶ P.49
Model name	C4 	C8 	C12 
Payload (kg)	Max 	Max 	Max 
Arm length (mm)	 	  	
Environmental specifications	 	   	 
Installation specifications	 	  	
Compatible controller			

6-axis robots			
N Series			VT
Original compact design for greater freedom of movement in tight quarters			Compact, easy setup, low TCO
▶ P.51	▶ P.53	▶ P.55	▶ P.57
N2 	N6-A850 	N6-A1000 	VT6L 
Max 	Max 	Max 	Max 
			
	 	 	  
 		 	   
			

-  Standard
-  Cleanroom model ISO 03 (Class 10 equiv.) ESD suppression
-  Cleanroom model ISO 04 (Class 100 equiv.)
-  Cleanroom model ISO 05 (Class 100 equiv.)
-  Protection model IP54
-  Protection model IP65
-  Protection model IP67
-  Table Top mount
-  Wall mount
-  Ceiling mount
-  Wall/ceiling multi-layout mount

\*1: See product page for details  
\*2: IP20 \*3: Standard model only

<b>Controllers</b>	
	▶ P.59
<b>Software</b>	
	▶ P.62
<b>Vision systems</b>	
	▶ P.67
<b>Force-sensing systems</b>	
	▶ P.70
<b>Options</b>	
	▶ P.74
	▶ P.76
	▶ P.79
	▶ P.80
	▶ P.81

# G1

**Compact, high-rigidity body for precision assembly and press-fit applications**

- Our lightest G series robot (8kg)
- Available with 175mm or 225mm arm
- 3-axis model available for screw-in, press-fit with hand offset, and dispensing tasks



Model Number	<b>G1 - 17 1 S □ -UL</b>
Payload	□ 1 : 1kg
Arm length	□ 17 : 175mm □ 22 : 225mm
Joint #3 stroke	□ 1 : 80mm: Cleanroom-model
UL specification	□ : Non UL compliant -UL : UL compliant
Axis	□ : 4-axis spec Z : 3-axis spec
Environment	S : Standard C : Cleanroom & ESD

## Specifications

Model name		G1			
Model number		4-axis		3-axis	
Model number		G1-171□	G1-221□	G1-171□Z	G1-221□Z
Arm length	Arm #1, #2	175 mm	225 mm	175 mm	225 mm
Payload	Rated	0.5 kg		0.5 kg	
	Maximum	1 kg		1.5 kg	
Repeatability	Joints #1, #2	±0.005 mm	±0.008 mm	±0.005 mm	±0.008 mm
	Joint #3	±0.01 mm		±0.01 mm	
	Joint #4	±0.01 deg		-	
Standard cycle time <sup>1</sup>	Joints #1, #2	0.29 sec	0.30 sec	0.29 sec	0.30 sec
Max. operating speed	Joints #1, #2	2630 mm/sec	3000 mm/sec	2630 mm/sec	3000 mm/sec
	Joint #3	1200 mm/sec		1200 mm/sec	
	Joint #4	3000 deg/sec		-	
Joint #4 allowable moment of inertia <sup>2</sup> Rated	Rated	0.0003 kg·m <sup>2</sup>		-	
	Maximum	0.004 kg·m <sup>2</sup>		-	
Joint #3 down force		50 N			
Installation environment		Standard/Cleanroom <sup>3</sup> &ESD			
Mounting type		Table Top		Table Top	
Weight (cables not included)		8 kg		8 kg	
Applicable Controller		RC700-A			
Installed wire for customer use		15 Pin D-Sub, 9 Pin D-Sub			
Installed pneumatic tube for customer use		Φ6 mm x 2, Φ4 mm x 1 : 0.59 MPa (6 kgf/cm <sup>2</sup> )			
Power		AC200-240 V Single phase			
Power Consumption <sup>4</sup>		0.5 kVA			
Cable length		3 m/5 m/10 m/15 m/20 m			
Safety standard		CE, KC, UL			

<sup>1</sup>: Cycle time based on round-trip arch motion (100mm horizontal, 25mm vertical) with 0.5kg payload (path coordinates optimized for maximum speed).

<sup>2</sup>: When payload center of gravity is aligned with Joint #4; if not aligned with Joint #4, set parameters using INERTIA command.

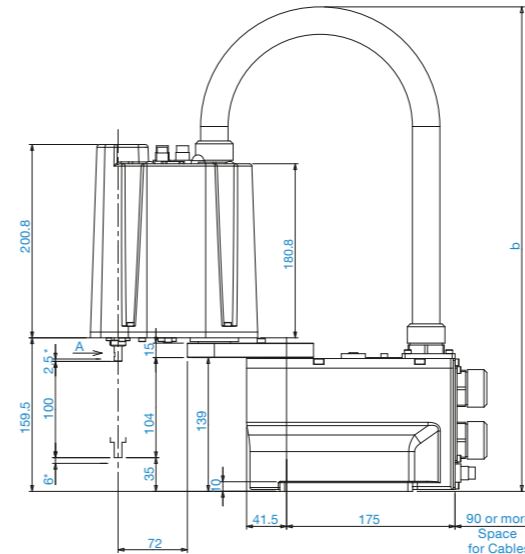
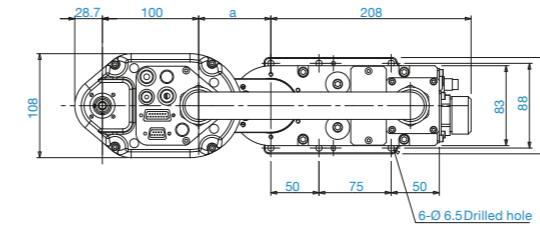
<sup>3</sup>: Complies with ISO Class 3 (ISO14644-1) and older Class 1 cleanroom standards.

<sup>4</sup>: Varies according to operating environment and program.

## Outer Dimensions (Table Top Mounting)

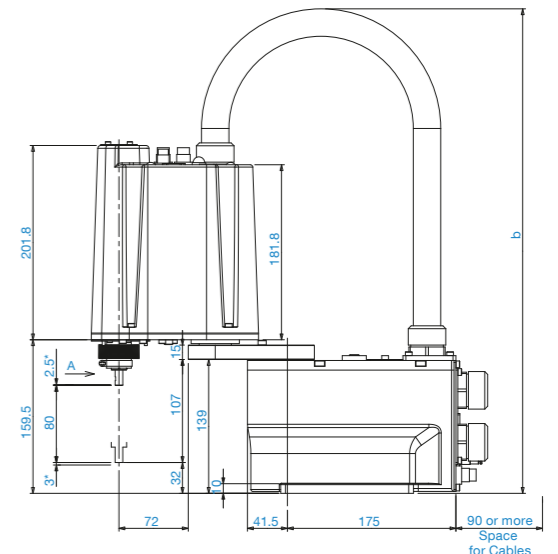
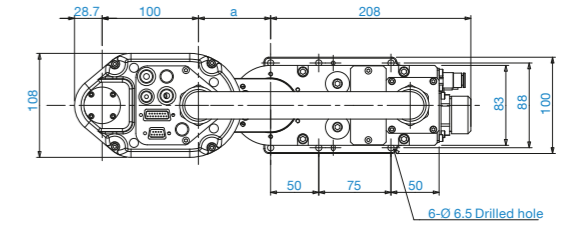
[Unit: mm]

### Standard-model

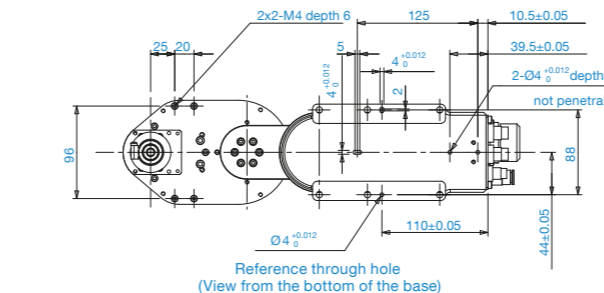


\*indicates the stroke margin by mechanical stop.

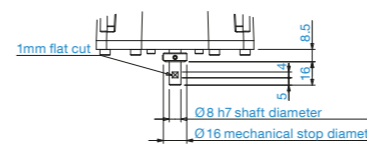
### Cleanroom-model



\*indicates the stroke margin by mechanical stop.

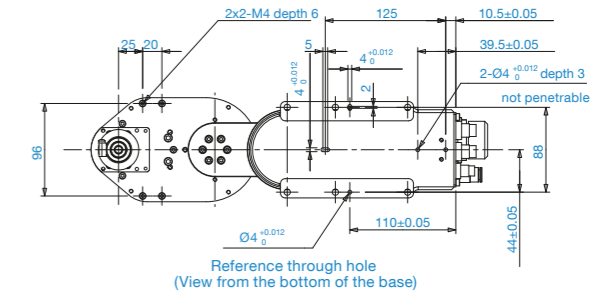


Reference through hole (View from the bottom of the base)

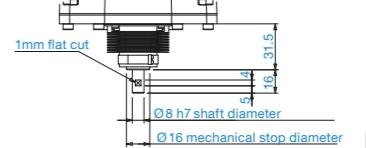


Detail of "A" (Calibration point position of Joints #3 and #4)

	G1_171S	G1_221S
a	75	125
b	Max.515	Max.545



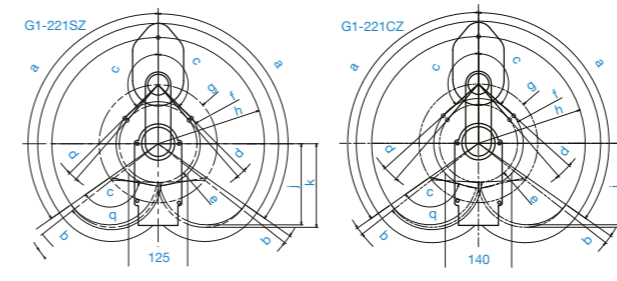
Reference through hole (View from the bottom of the base)



Detail of "A" (Calibration point position of Joints #3 and #4)

	G1_171C	G1_221C
a	75	125
b	Max.515	Max.55

## Motion Range (Table Top Mounting)



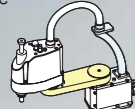
Model	4-axis				3-axis			
	G1-171S	G1-171C	G1-221S	G1-221C	G1-171SZ	G1-171CZ	G1-221SZ	G1-221CZ
g Length of Arm #1 (mm)	75	125	75	125				
h-g Length of Arm #2 (mm)	100	100	100	100				
f Motion range	64.3	59.6	64.8	70.9	86.4	89.2	94.4	
a Motion range of Joint #1 (°)	125	125			125			
c Motion range of Joint #2 (°)	140	152	149	135	123	135	132	
e Mechanical stop area	60.4	62.6	52.8	56.2	69.2	82.5	82.2	
b Joint #1 angle to hit mechanical stop (°)	3	3			3			
d Joint #2 angle to hit mechanical stop (°)	3	4	5	1.3	3	4	7	

# G3

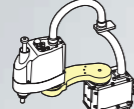
Compact body with rank-above technology for high speed and low vibration

- Handles small, heavy components and payloads up to 3kg
- Available with left- or right-curved arm for greater operating versatility
- A small robot with a long reach

Arm type



Straight arm



Curved arm



**Model Number** **G3 - 25 1 S □ - R -UL**

**Payload**  
 □ 3 : 3kg

**Arm length**  
 □ 25 : 250mm  
 □ 30 : 300mm  
 □ 35 : 350mm

**Joint #3 stroke**  
 □ 1 : 150mm  
 □ : 120mm: Cleanroom-model

**Environment**  
 □ S : Standard  
 □ C : Cleanroom & ESD

**UL specification**  
 □ : Non UL compliant  
 □ -UL : UL compliant

**Type**  
 □ : Standard  
 □ R : Right-Curved  
 □ L : Left-Curved

**Mounting type**  
 □ : Table Top Mounting  
 □ M : Multiple Mounting

## Specifications

Model name		G3				
Model number		G3-251□	G3-301□□-□	G3-351□□-□		
Arm length	Arm #1, #2	250 mm	300 mm	350 mm		
Payload	Rated	1 kg				
	Maximum	3 kg				
Repeatability	Joints #1, #2	±0.008 mm	±0.01 mm	±0.01 mm		
	Joint #3	±0.01 mm				
	Joint #4	±0.005 deg				
Standard cycle time <sup>1</sup>		0.41 sec	0.43 sec	0.41 sec		
Max. operating speed	Joints #1, #2	3550 mm/sec	3950 mm/sec	4350 mm/sec		
	Joint #3	1100 mm/sec				
	Joint #4	3000 deg/sec				
Joint #4 allowable moment of inertia <sup>2</sup>	Rated	0.005 kg·m <sup>2</sup>				
	Maximum	0.05 kg·m <sup>2</sup>				
Joint #3 down force		150 N				
Installation environment		Standard /Cleanroom <sup>3</sup> & ESD				
Mounting type		Table top	Table top	Multiple	Table top	Multiple
Weight (cables not included)		14 kg				
Applicable Controller		RC700-A				
Installed wire for customer use		15 Pin D-Sub				
Installed pneumatic tube for customer use		Φ6 mm x 2, Φ4 mm x 1 : 0.59 MPa (6 kgf/cm <sup>2</sup> )				
Power		AC200-240 V Single phase				
Power Consumption <sup>4</sup>		1.1 kVA				
Cable length		3 m/5 m/10 m/15 m/20 m				
Safety standard		CE, KC, UL				

<sup>1</sup>: Cycle time based on round-trip arch motion (300mm horizontal, 25mm vertical) with 2kg payload (path coordinates optimized for maximum speed) .

<sup>2</sup>: When payload center of gravity is aligned with Joint #4 ; if not aligned with Joint #4, set parameters using INERTIA command.

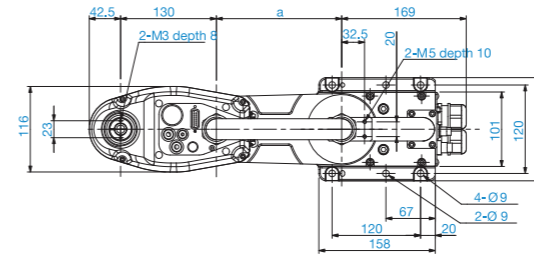
<sup>3</sup>: Complies with ISO Class 3 (ISO14644-1) and older Class 1 (less than 10 0.1 μm particles per 28,317cm<sup>3</sup>:1cft) cleanroom standards.

<sup>4</sup>: Varies according to operating environment and program.

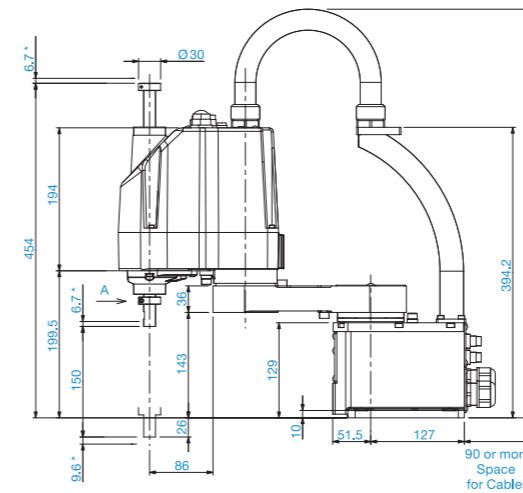
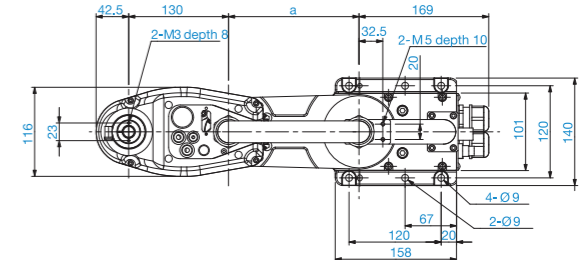
## Outer Dimensions (Table Top Mounting)

[Unit: mm]

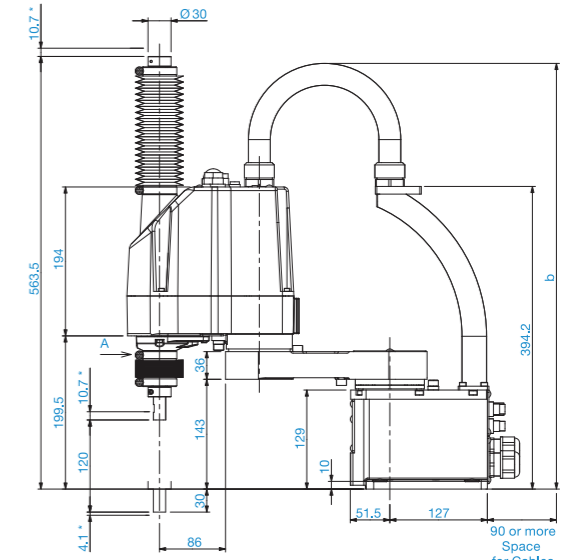
### Standard-model



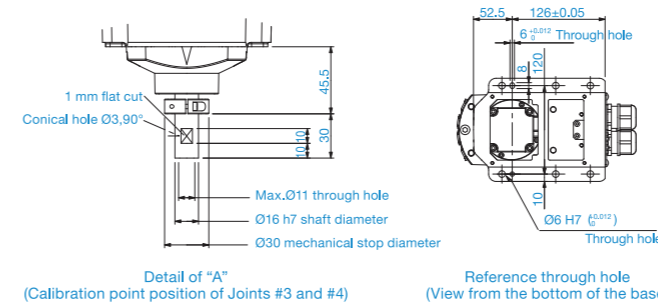
### Cleanroom-model



\*indicates the stroke margin by mechanical stop.



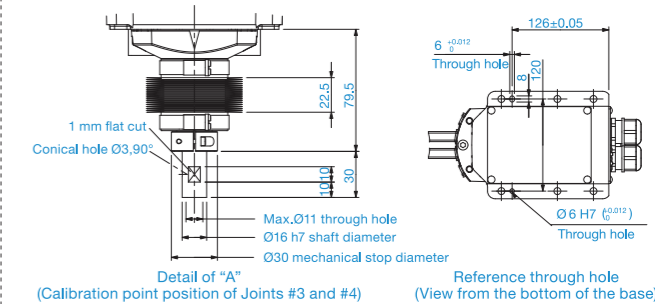
\*indicates the stroke margin by mechanical stop.



Detail of "A" (Calibration point position of Joints #3 and #4)

Reference through hole (View from the bottom of the base)

	G3_251S	G3_301S	G3_351S
a	120	170	220
b	Max.545	Max.575	Max.595



Detail of "A" (Calibration point position of Joints #3 and #4)

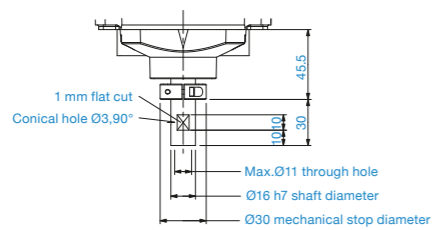
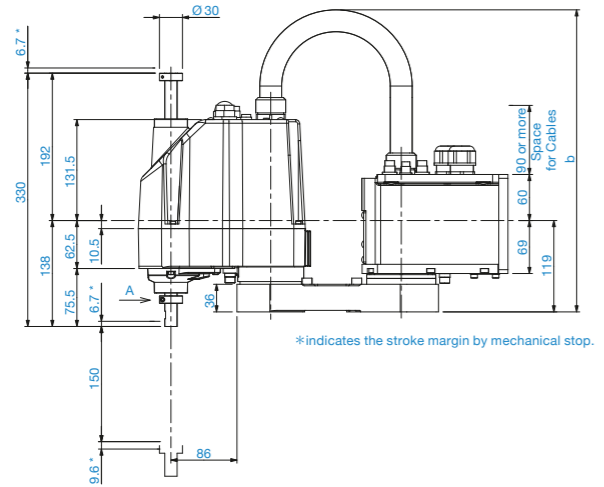
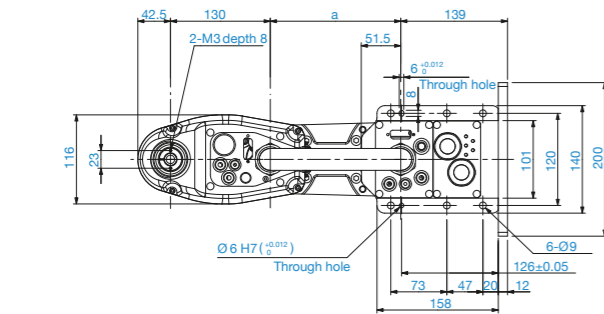
Reference through hole (View from the bottom of the base)

	G3_251C	G3_301C	G3_351C
a	120	170	220
b	Max.545	Max.575	Max.595

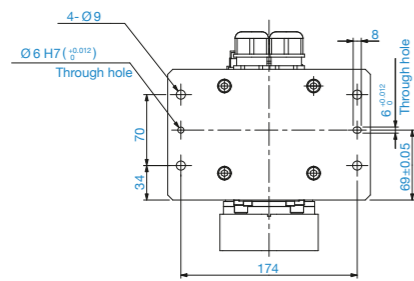
## Outer Dimensions (Multiple Mounting)

[Unit: mm]

### Standard-model



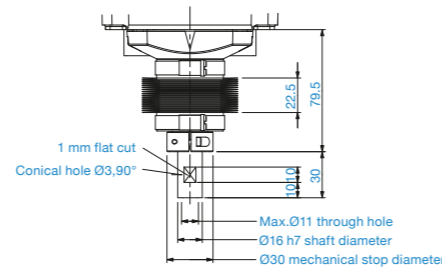
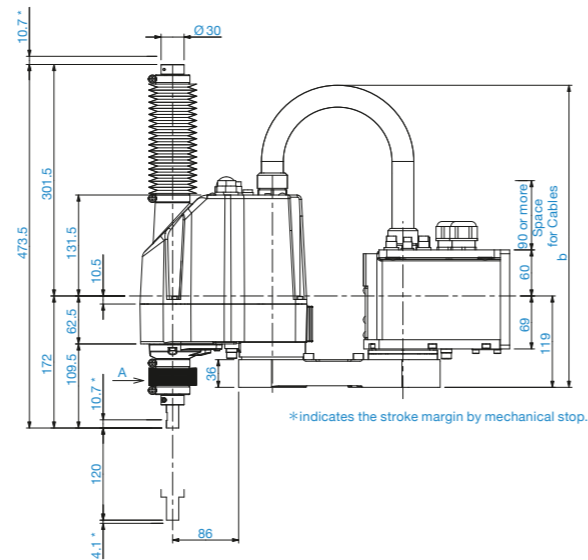
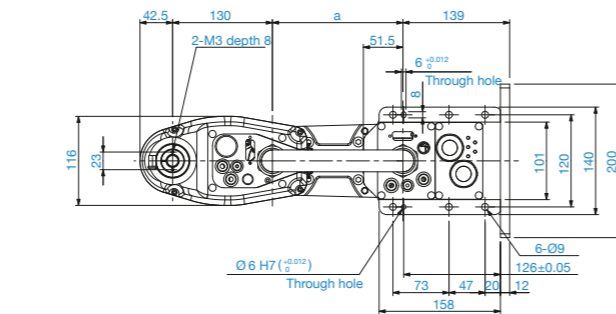
Detail of "A"  
(Calibration point position of Joints #3 and #4)



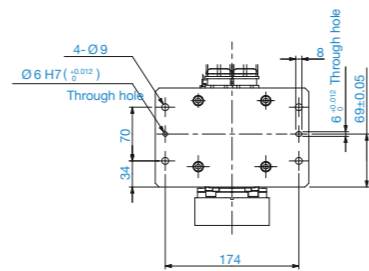
Reference through hole  
(View from the bottom of the base)

	G3_301SM	G3_351SM
a	170	220
b	Max.410	Max.450

### Cleanroom-model



Detail of "A"  
(Calibration point position of Joints #3 and #4)



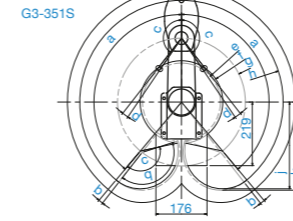
Reference through hole  
(View from the bottom of the base)

	G3_301CM	G3_351CM
a	170	220
b	Max.410	Max.450

## Motion Range (Table Top Mounting)

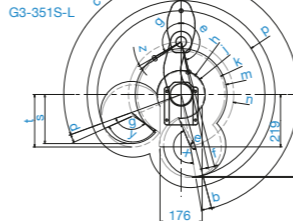
[Unit: mm]

### Straight Arm



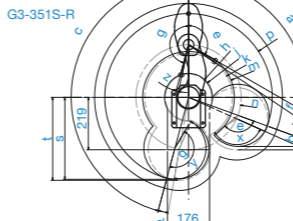
Model	Straight Arm					
	G3-251S	G3-251C	G3-301S	G3-301C	G3-351S	G3-351C
g Length of Arm #1 (mm)	120		170		220	
h-g Length of Arm #2 (mm)	130					130
f Motion range	84	92	104.8	107.1	142.3	146.6
a Motion range of Joint #1 (°)	140					
c Motion range of Joint #2 (°)	141	137	142	141	142	
e Mechanical stop area	79.3		96.2		134.2	
b Joint #1 angle to hit mechanical stop (°)	2					
d Joint #2 angle to hit mechanical stop (°)	2.3	6.3	3.8	4.8	3.8	

### Left-Curved Arm



Model	Left-Curved Arm				
	G3-301S-L	G3-301C-L	G3-351S-L	G3-351C-L	
n Length of Arm #1 (mm)	170		220		
p-n Length of Arm #2 (mm)	130				
m,j Motion range	120.7, 86.8		191.6, 100.3		191.6, 107.5
a,c Motion range of Joint #1 (°)	150, 125		165, 110		
e,g Motion range of Joint #2 (°)	150, 135		145, 135		165, 120
h,k Mechanical stop area	79.5, 113.2		97.0, 183.0		97.0, 184.2
b,d Joint #1 angle to hit mechanical stop (°)	3, 6		5, 4		
f,z Joint #2 angle to hit mechanical stop (°)	3.3, 3.3	8.3, 3.8	2.8, 3.8	7.8, 3.8	

### Right-Curved Arm

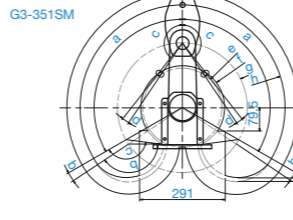


Model	Right-Curved Arm				
	G3-301S-R	G3-301C-R	G3-351S-R	G3-351C-R	
n Length of Arm #1 (mm)	170		220		
p-n Length of Arm #2 (mm)	130				
m,j Motion range	120.7, 86.8		191.6, 100.3		191.6, 107.5
a,c Motion range of Joint #1 (°)	125, 150		110, 165		
e,g Motion range of Joint #2 (°)	135, 150		135, 145		120, 165
h,k Mechanical stop area	79.5, 113.2		97.0, 183.0		97.0, 184.2
b,d Joint #1 angle to hit mechanical stop (°)	6, 3		4, 5		
f,z Joint #2 angle to hit mechanical stop (°)	3.3, 3.3	3.3, 8.3	3.8, 2.8	3.8, 7.8	

## Motion Range (Multiple Mounting)

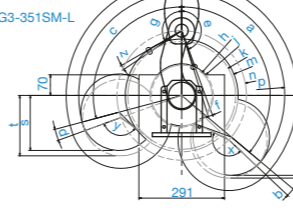
[Unit: mm]

### Straight Arm



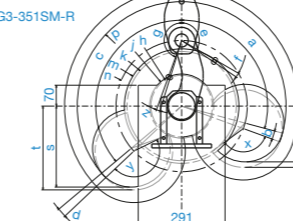
Model	Straight Arm	
	G3-301SM/CM	G3-351SM/CM
g Length of Arm #1 (mm)	170	220
h-g Length of Arm #2 (mm)	130	130
f Motion range	120.7	142.3
a Motion range of Joint #1 (°)	115	120
c Motion range of Joint #2 (°)	135	142
e Mechanical stop area	112	134.2
b Joint #1 angle to hit mechanical stop (°)	4	
d Joint #2 angle to hit mechanical stop (°)	3.8	

### Left-Curved Arm



Model	Left-Curved Arm	
	G3-351SM-L	G3-351CM-L
n Length of Arm #1 (mm)	220	
p-n Length of Arm #2 (mm)	130	
m,j Motion range	191.9, 107.5	191.9, 125.6
a,c Motion range of Joint #1 (°)	130, 105	
e,g Motion range of Joint #2 (°)	160, 120	150, 120
h,k Mechanical stop area	103.3, 183.0	
b,d Joint #1 angle to hit mechanical stop (°)	3.3, 5	2, 5
f,z Joint #2 angle to hit mechanical stop (°)	2.8, 3.8	12.8, 3.8

### Right-Curved Arm



Model	Right-Curved Arm	
	G3-351SM-R	G3-351CM-R
n Length of Arm #1 (mm)	220	
p-n Length of Arm #2 (mm)	130	
m,j Motion range	191.9, 107.5	191.9, 125.6
a,c Motion range of Joint #1 (°)	105, 130	
e,g Motion range of Joint #2 (°)	120, 160	120, 150
h,k Mechanical stop area	103.3, 183.0	
b,d Joint #1 angle to hit mechanical stop (°)	5, 3.3	5, 2
f,z Joint #2 angle to hit mechanical stop (°)	3.8, 2.8	3.8, 12.8



# GX4

## Upgraded performance and functionality for high speed and precision applications at a lower total operating cost

- Battery-less manipulator for reduced maintenance time and equipment downtime
- GYROPLUS Technology for improved vibration control
- Built-in camera cable & user screw holes for cable fixing convenience
- MC cable bottom out specification to reduce installation space and lower factory space costs



**Model Number** GX4 - A 35 1 S □ □ - R - UL

SKU first name: GX

Payload: 4 : 4kg

Versions: A version

Arm length: 25 : 250mm, 30 : 300mm, 35 : 350mm

Joint #3 stroke: 1 : 150mm, 2 : 120mm: Cleanroom-model

Environment: S : Standard, C : Clean + ESD, E : ESD

UL specification: □ : Non UL applicable, UL : UL applicable

Arm type: □ : Straight, R : Carving Arm R, L : Carving Arm L

Mounting type: □ : Table Top Mounting, M : Multiple Mounting

Cable direction: □ : Backward, B : Bottom

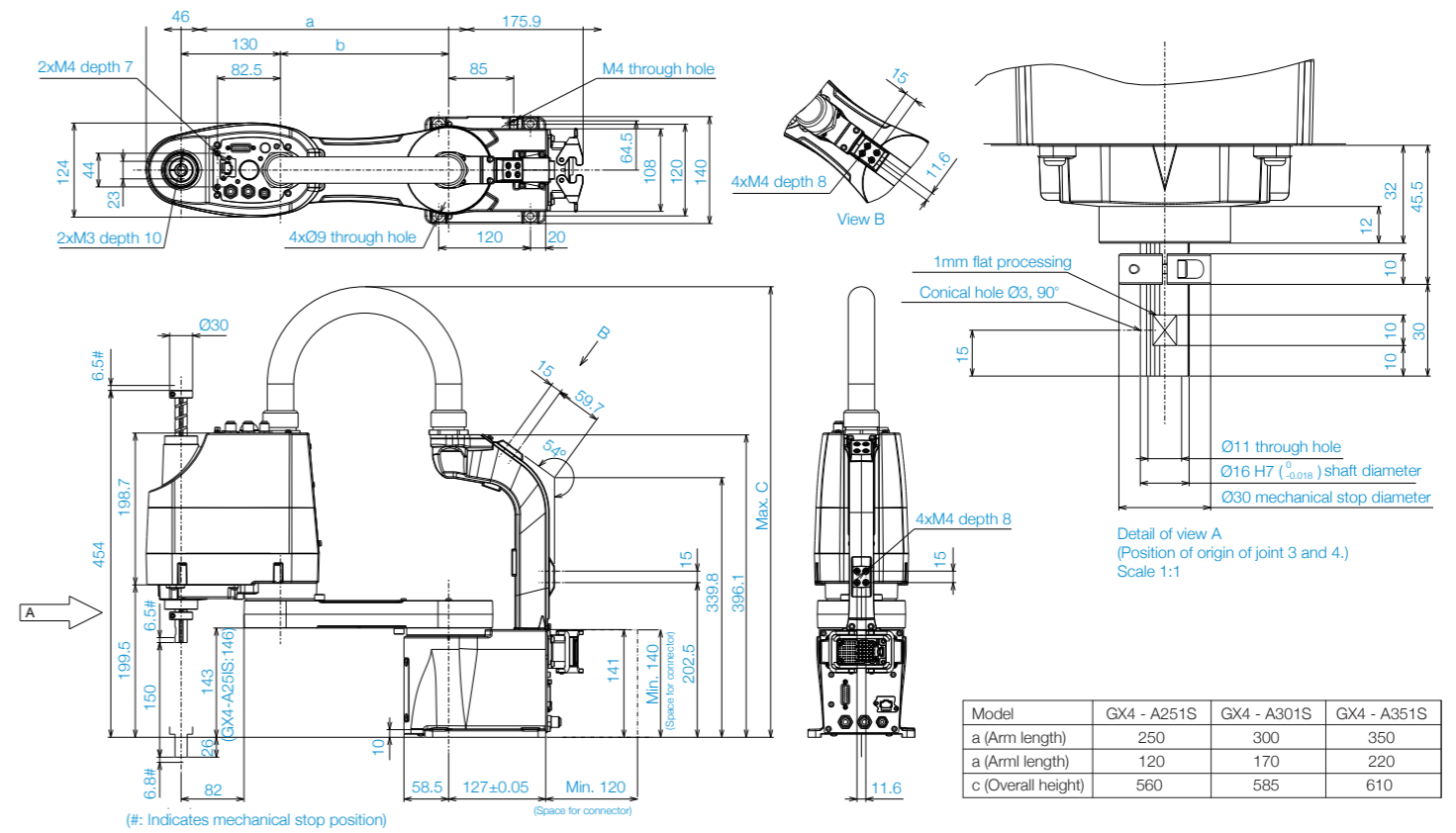
## Specifications

Model Name	GX4-A		
Model Number	GX4-A251□□□□	GX4-A301□□□□	GX4-A351□□□□
Arm length	Joints #1 + #2 (mm)		350
Arm shape	Standard		Standard / R, L-Curved*1
Payload*2	Rated (kg)		2
	Maximum (kg)		4
Repeatability	Joints #1 + #2 (mm)		+/- 0.01
	Joint #3 (mm)	+/- 0.01	
Standard cycle time*3	Joint #4 (deg)		+/- 0.005
	(sec)	0.33	0.34
Max. operating speed	Joints #1 + #2 (mm/s)		3550
	Joint #3 (mm/s)	1100	
	Joint #4 (deg/s)	3100	
Joint #4 allowable moment of inertia*4	Rated (kg·m <sup>2</sup> )		0.005
	Maximum (kg·m <sup>2</sup> )		0.05
Joint #3 down force	(N)		150
Installation environment	S: Standard, C: Cleanroom*5 & ESD*6, E: ESD*6		
Mounting type	□: Table Top, M: Multiple		
Cable exit direction	□: Rearward (Table Top) / Upward (Multiple), B: Downward (Table Top only)		
Weight (cables not included)	(kg) or less	Table top : 15 / Multiple : 17	Table top : 16 / Multiple : 17
Applicable controller	RC700-D		
Installed wire for customer use	15 pin (D-Sub) x1, 8 pin (RJ45) x1		
Installed pneumatic tube for customer use	ø4mm x2, ø6mm x1 : Allowable pressure 0.59 MPa (6 kgf/cm <sup>2</sup> )		
Power	(V)	AC200-240 Single phase	
Power consumption*7	(kVA)	1.2	
Cable length*8	(m)	3 / 5 / 10 / 15 / 20	
Safety standard	CE, UKCA		

\*1: The curved arm is only supported in 350mm arm table top model.  
 \*2: Do not apply the load exceeding the maximum payload.  
 \*3: Cycle time based on round-trip arch motion (300 mm horizontal, 25 mm vertical) at rated payload setting of table top model boost mode (path coordinates optimized for maximum speed)  
 \*4: Set the parameters by the inertia command according to the load and end effector status (refer to the instruction manual for the parameter calculation method).  
 \*5: Complies with ISO Class 3 (ISO14644-1) and Fed-std209D Class 1 (less than 10 0.1 μm particles per 28.317cm<sup>3</sup>:1cft) cleanroom standards.  
 \*6: Resin covers are plated with electrolytic nickel to prevent static electricity, and the potential difference is ± 5V or less.  
 \*7: Varies according to operating environment and program.  
 \*8: Standard cable (not flexible cable)

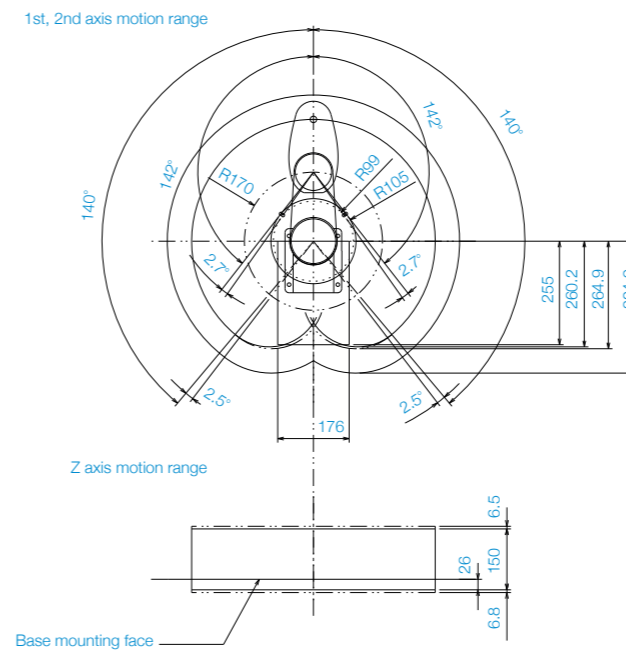
## Outer Dimensions (Table Top Mounting)

[Unit: mm]



## Motion Range (Table Top Mounting)

[Unit: mm]



# G6

## High speed and precision for small component assembly

- Handles payloads up to 6kg
- Available with 450mm, 550mm, or 650mm arm
- Internal cabling and ducting minimizes interference worries
- IP54/65 dust and water-resistant cleanroom models available
- Tabletop, ceiling, and wall mounting models available



Model Number	<b>G6 - 45 1 S □ - UL</b>
Payload	6 : 6kg
Arm length	45 : 450mm 55 : 550mm 65 : 650mm
Joint #3 stroke	1 : 180mm 150mm: (C, D w/ bellows, P) 330mm 300mm: (C, D w/ bellows, P)
Environment	S : Standard C : Cleanroom & ESD D : Protected:IP54 (with bellows option) P : Protected:IP65
UL specification	□ : Non UL compliant -UL : UL compliant
Mounting type	□ : Table Top Mounting W : Wall Mounting R : Ceiling Mounting

## Specifications

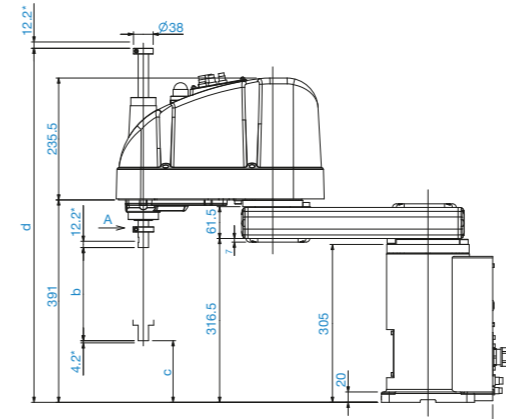
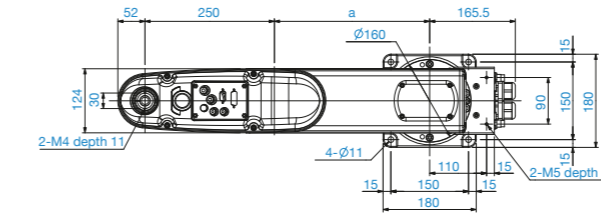
Model name		G6									
Model number		G6-45□□□			G6-55□□□			G6-65□□□			
Arm length	Arm #1, #2	450 mm			550 mm			650 mm			
Payload	Rated	3 kg									
	Maximum	6 kg									
Repeatability	Joints #1, #2	±0.015 mm									
	Joint #3	±0.01 mm									
	Joint #4	±0.005 deg									
Standard cycle time <sup>*1</sup>		0.35 sec			0.36 sec			0.39 sec			
Max. operating speed	Joints #1, #2	6440 mm/sec			7170 mm/sec			7900 mm/sec			
	Joint #3	G6-□□1□□=1100 mm/sec /G6-□□3□□=2350 mm/sec									
	Joint #4	2400 deg									
Joint #4 allowable moment of inertia <sup>*2</sup>	Rated	0.01 kg·m <sup>2</sup>									
	Maximum	0.12 kg·m <sup>2</sup>									
Joint #3 down force		150 N									
Installation environment		Standard/Cleanroom & ESD <sup>*3</sup> /Protection <sup>*4</sup>									
Mounting type		Table top	Ceiling	Wall	Table top	Ceiling	Wall	Table top	Ceiling	Wall	
Weight (cables not included)		27 kg			29 kg			28 kg			29.5 kg
Applicable Controller		RC700-A									
Installed wire for customer use		15 Pin D-Sub, 9 Pin D-sub									
Installed pneumatic tube for customer use		Φ6 mm x 2, Φ4 mm x 2 : 0.59 MPa (6 kgf/cm <sup>2</sup> )									
Power		AC200-240 V Single phase									
Power Consumption <sup>*5</sup>		1.5 kVA									
Cable length		3 m/5 m/10 m/15 m/20 m									
Safety standard		CE, KC, UL									

\*1: Cycle time based on round-trip arch motion (300mm horizontal, 25mm vertical) with 2kg payload (path coordinates optimized for maximum speed).  
 \*2: When payload center of gravity is aligned with Joint #4; if not aligned with Joint #4, set parameters using INERTIA command.  
 \*3: Complies with ISO Class 3 (ISO14644-1) and older Class 1 (less than 100.1 m particles per 28,317cm<sup>3</sup>1cf) cleanroom standards.  
 \*4: G6-□□□□□□ protected type with optional bellows complies with IP54; G6-□□□□□□ complies with IP65.  
 \*5: t depends on operating environment and operation program.

## Outer Dimensions (Table Top Mounting)

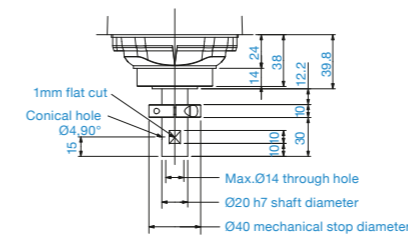
[Unit: mm]

### Standard-model

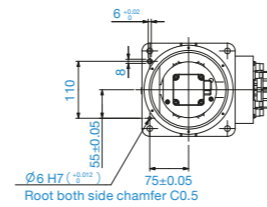


\*indicates the stroke margin by mechanical stop.

90 or more Space for Cables



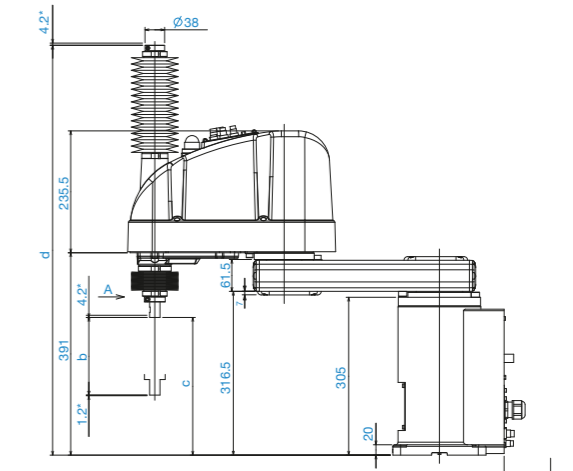
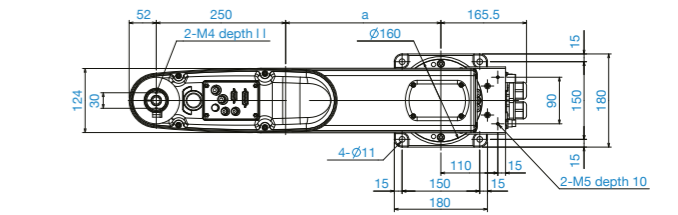
Detail of "A" (Calibration point position of Joints #3 and #4)



Reference through hole (View from the bottom of the base)

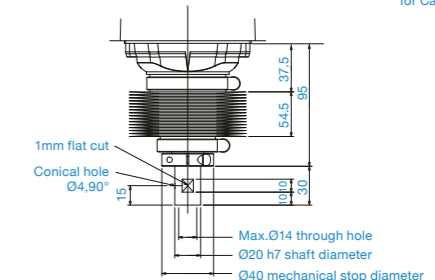
	G6-45□□S	G6-55□□S	G6-65□□S
a	200	300	400
b	180	330	
c	119	-31	
d	684	834	

### Cleanroom-model

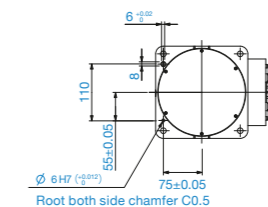


\*indicates the stroke margin by mechanical stop.

90 or more Space for Cables



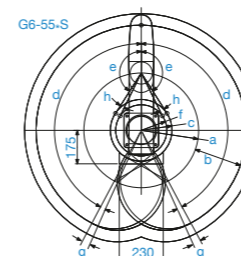
Detail of "A" (Calibration point position of Joints #3 and #4)



Reference through hole (View from the bottom of the base)

	G6-45□□C	G6-55□□C	G6-65□□C
a	200	300	400
b	150	300	
c	116	-34	
d	792	942	

## Motion Range (Table Top Mounting)

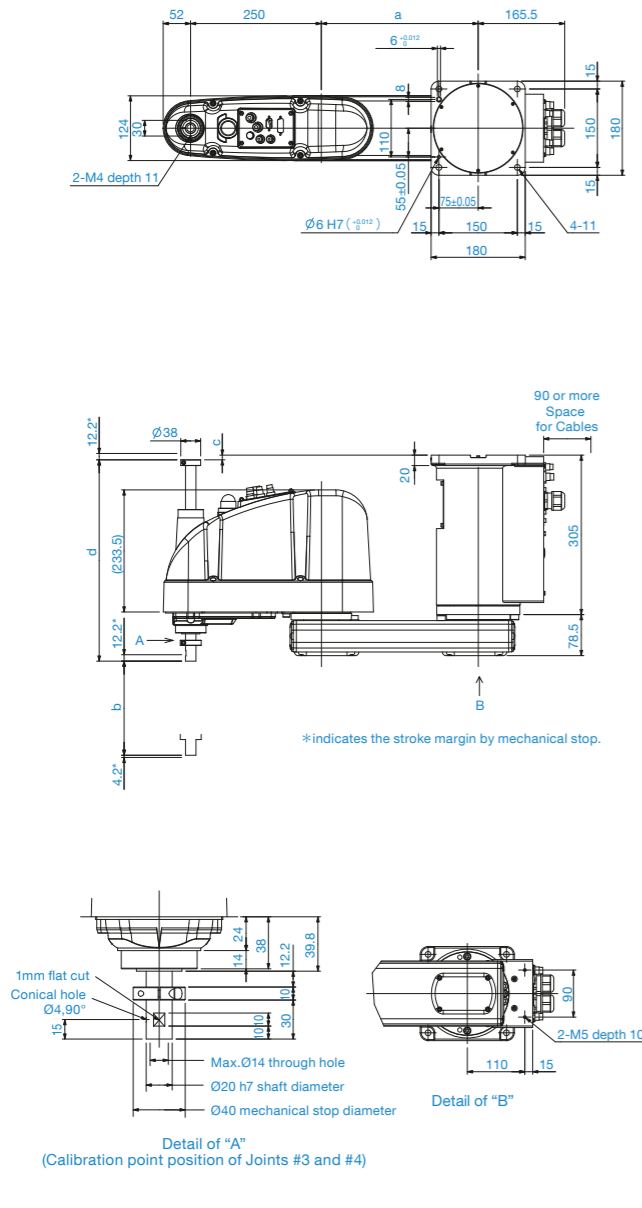


Model	Table Top Mounting			
	G6-45□□S/D	G6-45□□C/P/D bellows	G6-55□□	G6-65□□
a Length of Arm #1 (mm)	200			
b Length of Arm #2 (mm)	250			
c Motion range	Z:0~-270	134.8	Z:0~-240	134.8
	Z:-270~-330	143.5	Z:-240~-300	153.9
d Motion range of Joint #1 (°)	152			
e Motion range of Joint #2 (°)	Z:0~-270	147.5	Z:0~-240	147.5
	Z:-270~-330	145	Z:-240~-300	142
f Mechanical stop area	124.4		133.8	207.5
g Joint #1 angle to hit mechanical stop (°)	3.5			
h Joint #1 angle to hit mechanical stop (°)	Z:0~-270	3	Z:0~-240	3
	Z:-270~-330	5.5	Z:-240~-300	8.5

## Outer Dimensions (Ceiling Mounting)

[Unit: mm]

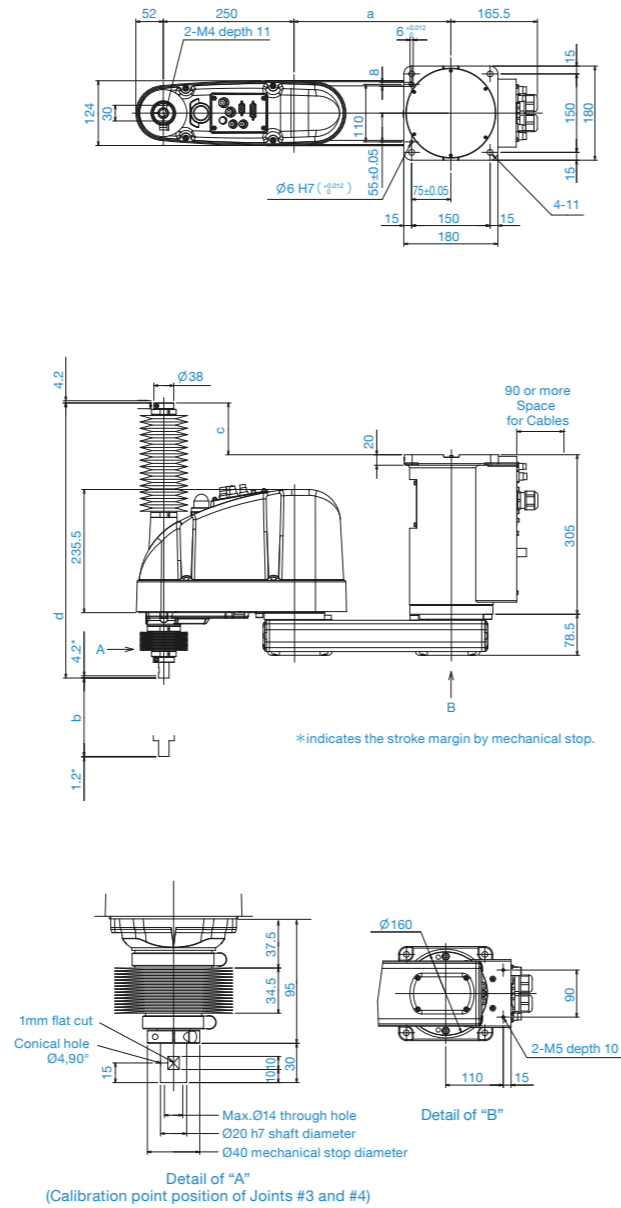
### Standard-model



	G6-45□SR	G6-55□SR	G6-65□SR
a	200	300	400
b	180	330	
c	-9	141	
d	385	535	

	G6-□□1SR	G6-□□3SR
b	180	330
c	-9	141
d	385	535

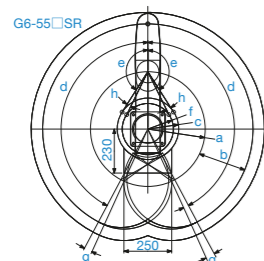
### Cleanroom-model



	G6-45□CR	G6-55□CR	G6-65□CR
a	200	300	400
b	150	300	
c	99	249	
d	526	676	

	G6-□□1CR	G6-□□3CR
b	150	300
c	99	249
d	526	676

## Motion Range (Ceiling Mounting)

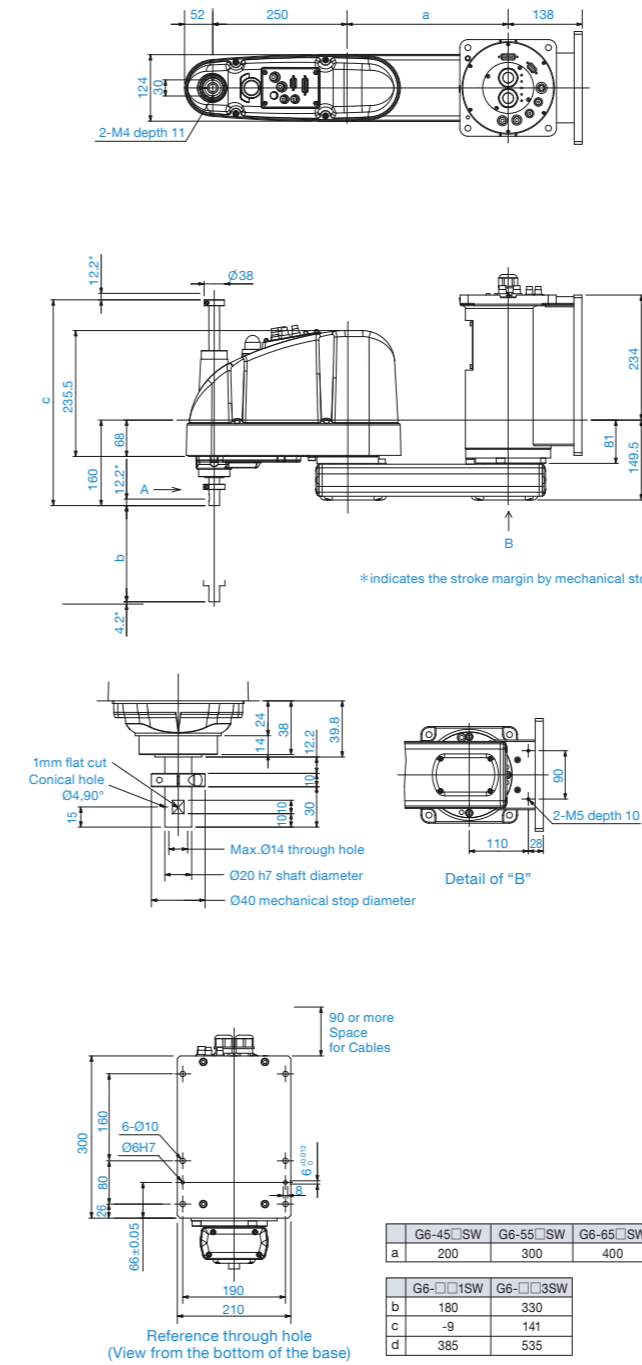


Model	Ceiling Mounting			
	G6-45□□R	G6-55□SR/DR	G6-55□CR/PR/DR bellow	G6-65□□R
a Length of Arm #1 (mm)	200	300		400
b Length of Arm #2 (mm)		250		
c Motion range	195.5	161.2	172.1	232
d Motion range of Joint #1 (°)	120		152	
e Motion range of Joint #2 (°)	130	147.5	145	147.5
f Mechanical stop area	182.4	146.8		207.5
g Joint #1 angle to hit mechanical stop (°)	5.5		3.5	
h Joint #2 angle to hit mechanical stop (°)	3.8	3.3	5.8	6.3

## Outer Dimensions (Wall Mounting)

[Unit: mm]

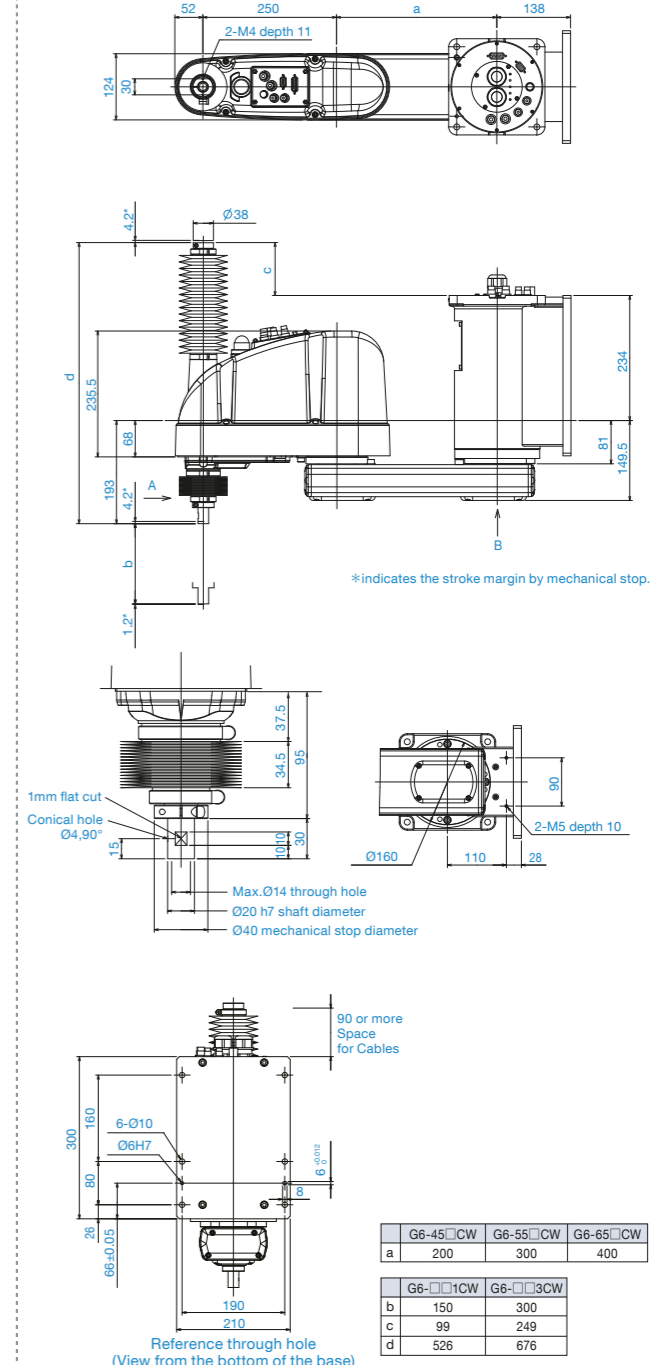
### Standard-model



	G6-45□SW	G6-55□SW	G6-65□SW
a	200	300	400
b	180	330	
c	-9	141	
d	385	535	

	G6-□□1SW	G6-□□3SW
b	180	330
c	-9	141
d	385	535

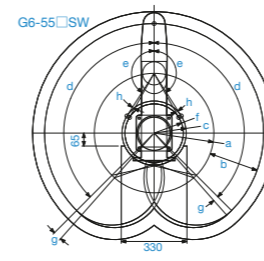
### Cleanroom-model



	G6-45□CW	G6-55□CW	G6-65□CW
a	200	300	400
b	150	300	
c	99	249	
d	526	676	

	G6-□□1CW	G6-□□3CW
b	150	300
c	99	249
d	526	676

## Motion Range (Wall Mounting)



Model	Wall Mounting			
	G6-45□□W	G6-55□SW/DW	G6-55□CW/PW/DW bellow	G6-65□□W
a Length of Arm #1 (mm)	200	300		400
b Length of Arm #2 (mm)		250		
c Motion range	195.5	161.2	172.1	232
d Motion range of Joint #1 (°)	105		135	148
e Motion range of Joint #2 (°)	130	147.5	145	147.5
f Mechanical stop area	182.4	146.8		207.5
g Joint #1 angle to hit mechanical stop (°)		3.5		7.5
h Joint #2 angle to hit mechanical stop (°)	3.8	3.3	5.8	6.3

# GX8

**Elevated industrial-class performance for applications requiring immense precision and accuracy at a competitive price**

- Battery-less manipulator for reduced maintenance time and equipment downtime
- Improved cable fixing convenience on arm 2 with user screw holes
- Simplified MC cable attach/detachment for easy installation of robot
- Extended length of Z stroke from 180mm to 200mm



Model Number	GX 8 - A 45 2 S □ - R - UL			
SKU first name	GX	UL specification		
Payload	8 : 8kg	□ : Non UL applicable UL : UL applicable		
Versions	A version	Mounting type		
Arm length	45 : 450mm 55 : 550mm 65 : 650mm	□ : Table Top Mounting W : Wall Mounting R : Ceiling Mounting		
Joint #3 stroke	2 : 200mm 3 : 330mm	Cable direction		
		□ : Backward B : Bottom		
		Environment		
		S : Standard C : Clean + ESD P : IP65 E : ESD		

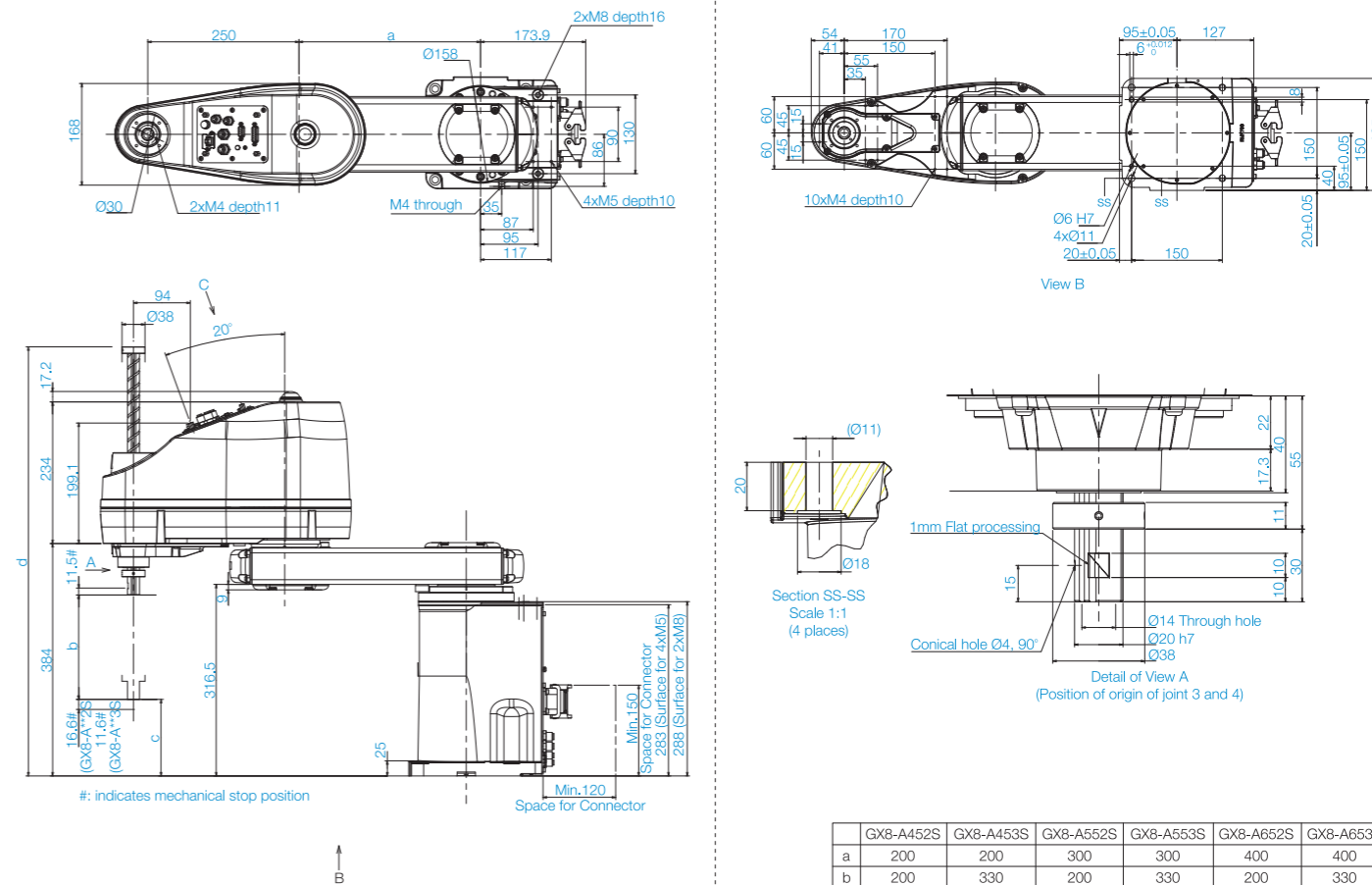
## Specifications

Model Name	GX8-A				
Model Number	GX8-A45□□□□□	GX8-A55□□□□□	GX8-A65□□□□□		
Arm length	450	550	650		
Payload*1	Rated (kg)	4			
	Maximum (kg)	8			
Repeatability	Joints #1 + #2 (mm)	+/- 0.015			
	Joint #3 (mm)	+/- 0.010			
	Joint #4 (deg)	+/- 0.005			
Standard cycle time*2	0.28	0.30	0.33		
Max. operating speed	Joints #1 + #2 (mm/s)	7450	8450	9460	
	Joint #3 (mm/s)	2350			
	Joint #4 (deg/s)	2800			
Joint #4 allowable moment of inertia*4	Rated (kg·m <sup>2</sup> )	0.01			
	Maximum (kg·m <sup>2</sup> )	0.16			
Joint #3 down force	(N)	150			
Installation environment	S: Standard, C: Cleanroom*4 & ESD*5, P: IP65, E: ESD*5				
Mounting type	□: Table Top, W: Wall, R: Ceiling				
Cable exit direction	□: Rearward (Table Top, Ceiling) / Upward (Wall), B: Downward (Table Top only)				
Weight (cables not included)	(kg) or less	Table top, Ceiling : 33 / Wall : 35	Table top, Ceiling : 34 / Wall : 36	Table top, Ceiling : 35 / Wall : 37	
Applicable controller	RC700-D				
Installed wire for customer use	D-sub 15 pin x1, 9 pin x1, 8 pin (RJ45) x1				
Installed pneumatic tube for customer use	ø4mm x2, ø6mm x2 : Allowable pressure 0.59 MPa (6 kgf/cm <sup>2</sup> )				
Power	(V)	AC200-240 Single phase			
Power consumption*7	(kVA)	2.2			
Cable length*8	(m)	3 / 5 / 10 / 15 / 20			
Safety standard	CE, UKCA				

\*1: Do not apply the load exceeding the maximum payload.  
 \*2: Cycle time based on round-trip arch motion (300 mm horizontal, 25 mm vertical) at rated payload setting of table top model boost mode (path coordinates optimized for maximum speed)  
 \*3: Set the parameters by the Inertia command according to the load and end effector status (refer to the instruction manual for the parameter calculation method).  
 \*4: Complies with ISO Class 3 (ISO14644-1) and Fed-std209D Class 1 (less than 10 0.1 μm particles per 28.317cm<sup>3</sup>:1cft) cleanroom standards.  
 \*5: Resin covers are plated with electrolytic nickel to prevent static electricity, and the potential difference is ± 5V or less.  
 \*6: Varies according to operating environment and program.\*7: Varies according to operating environment and program.  
 \*7: Standard cable (not flexible cable)

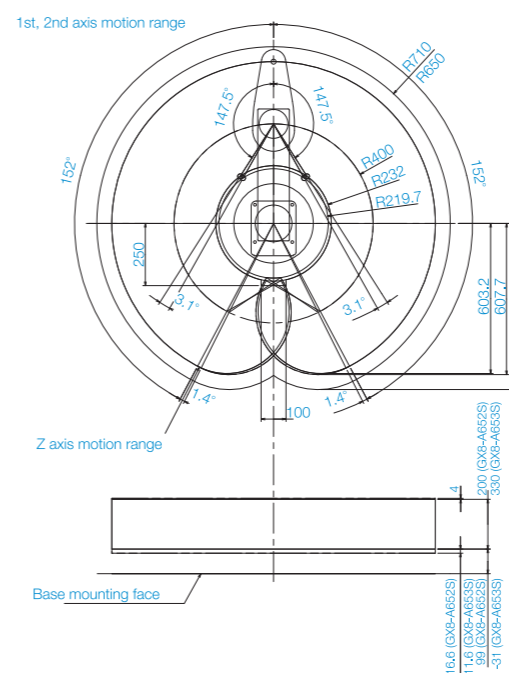
## Outer Dimensions (Table Top Mounting)

[Unit: mm]



## Motion Range (Table Top Mounting)

[Unit: mm]



# GX10/GX20 NEW

**For high-speed, high-precision, multi-hand batch handling and packing of heavier loads**

- Handles payloads of up to 10/20kg
- Choice of 650mm, 850mm, and 1000mm arm
- Internal cabling and ducting minimizes interference worries
- IP54/65 dust and water-resistant cleanroom models available
- Tabletop, ceiling, and wall mounting models available



<b>Model Number</b>	<b>GX10 - 85 4 S - UL</b>
<b>Payload</b>	<ul style="list-style-type: none"> <li>10 : 10kg</li> <li>20 : 20kg</li> </ul>
<b>Arm length</b>	<ul style="list-style-type: none"> <li>65 : 650mm (GX10 series only)</li> <li>85 : 850mm</li> <li>A0 : 1000mm (GX20 series only)</li> </ul>
<b>Joint #3 stroke</b>	<ul style="list-style-type: none"> <li>1 : 180mm</li> <li>2 : 150mm: (C, D w/ bellows, P)</li> <li>4 : 420mm</li> <li>3 : 390mm: (C, D w/ bellows, P)</li> </ul>
<b>Environment</b>	<ul style="list-style-type: none"> <li>S : Standard</li> <li>C : Cleanroom &amp; ESD</li> <li>D : Protected: IP54 (with bellows option)</li> <li>P : Protected: IP65</li> </ul>
<b>UL specification</b>	<ul style="list-style-type: none"> <li>□ : Non UL compliant</li> <li>-UL : UL compliant</li> </ul>
<b>Mounting type</b>	<ul style="list-style-type: none"> <li>□ : Table Top Mounting</li> <li>W : Wall Mounting</li> <li>R : Ceiling Mounting</li> </ul>

## Specifications

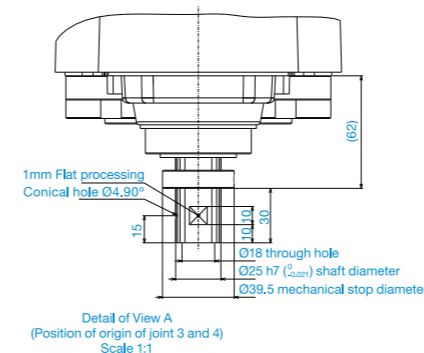
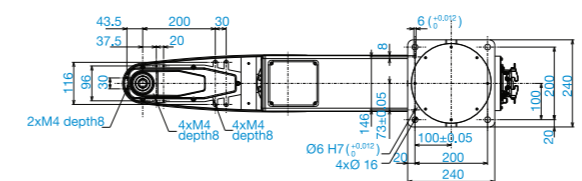
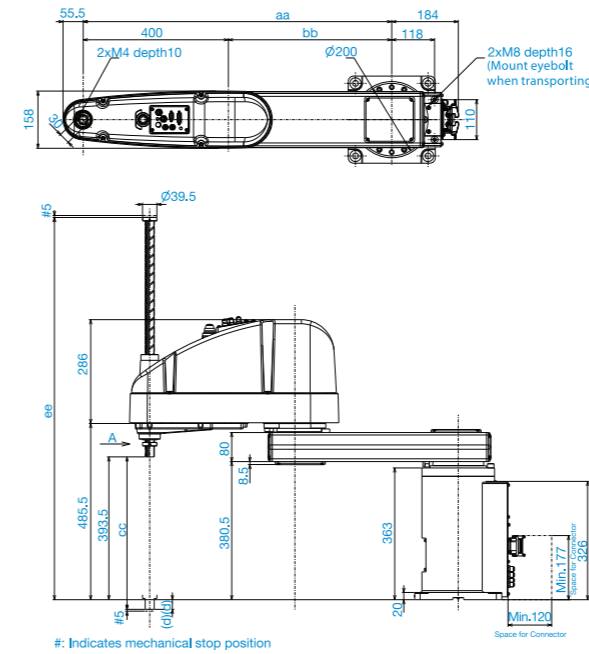
Model name		GX10/20-B				
Model number		GX10-B65□□	G10/20-B85□□□	GX20-BA0□□□		
Arm length	Arm #1, #2	650 mm	850 mm	1000 mm		
Payload <sup>1</sup>	Rated	5 kg	GX10-B=5 kg /GX20-B=10kg	10 kg		
	Maximum	10 kg	GX10-B=10 kg /GX20-B=20kg	20 kg		
Repeatability	Joints #1, #2	±0.025 mm				
	Joint #3	±0.01 mm				
	Joint #4	±0.005 deg				
	Standard cycle time <sup>2</sup>	0.338 sec	GX10-B=0.377 sec / GX20-B=0.365 sec	0.422 sec		
Max. operating speed	Joints #1, #2	8800 mm/sec	11000 mm/sec	11500 mm/sec		
	Joint #3	2350 mm/sec				
	Joint #4	2400	GX10-B=2400 deg/sec / GX20-B=2350 deg/sec	2350		
Joint #4 allowable moment of inertia <sup>3</sup>	Rated	0.02 kg·m <sup>2</sup>	GX10-B=0.02 kg·m <sup>2</sup> /GX20-B=0.05 kg·m <sup>2</sup>	0.05 kg·m <sup>2</sup>		
	Maximum	0.25 kg·m <sup>2</sup>	GX10-B=0.25 kg·m <sup>2</sup> /GX20-B=0.45 kg·m <sup>2</sup>	0.45 kg·m <sup>2</sup>		
Joint #3 down force	250 N					
Installation environment	S: Standard (equivalent to IP20), C: Cleanroom <sup>4</sup> & ESD <sup>5</sup> , P: IP65					
Cable exit direction	□ Standard (table top mounting-cable routing from rear side, wall mounting-cable routing from top side, ceiling mounting-cable routing from rear side)					
Mounting type	Table top	Ceiling	Wall	Table top	Ceiling	Wall
Weight (cables not included)	46 kg	51 kg	49 kg	53 kg	50 kg	55 kg
Applicable Controller	RC700-E					
Installed wire for customer use	D-sub 15 pin x1, 9 pin x1					
Installed pneumatic tube for customer use	Φ4 mm x 2, Φ6 mm x 2 : Allowable pressure 0.59 MPa (6 kgf/cm <sup>2</sup> )					
Power	AC200-240 V Single phase					
Power Consumption <sup>6</sup>	2.4 kVA					
Cable length	Standard: 3 m/5 m/10 m/15 m/20 m, Flexible: 5 m/10 m/15 m/20 m					
Safety standard	CE, UKCA, KC, NRTL					

\*1: Do not apply the load exceeding the maximum payload.  
 \*2: Cycle time based on round-trip arch motion (300 mm horizontal, 25 mm vertical) at rated payload setting of table top model (path coordinates optimized for maximum speed).  
 \*3: Set the parameters by the Inertia command according to the load and end effector status (refer to the instruction manual for the parameter calculation method).  
 \*4: Complies with ISO Class 3 (ISO14644-1) and Fed-std209D Class 1 (less than 10.01 m particles per 28,317cm<sup>3</sup>:1cft) cleanroom standards.  
 \*5: Main resin parts of the ESD model use conductive materials or apply plate processing. For the tip of the Manipulator (tool mounting part), we have confirmed that it is +/- 5 V or less even immediately after operating the measurement under our standard.  
 \*6: Varies according to operating environment and program.

## Outer Dimensions (Table Top Mounting)

[Unit: mm]

### Standard-model

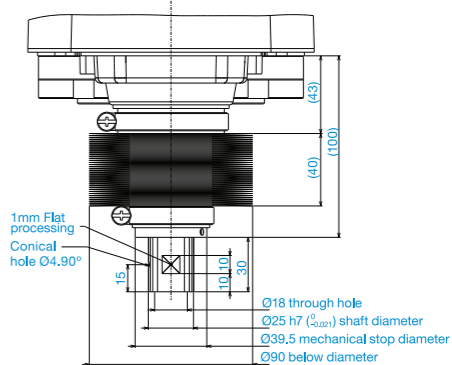
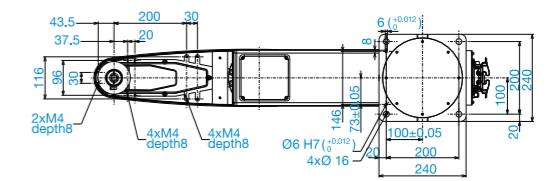
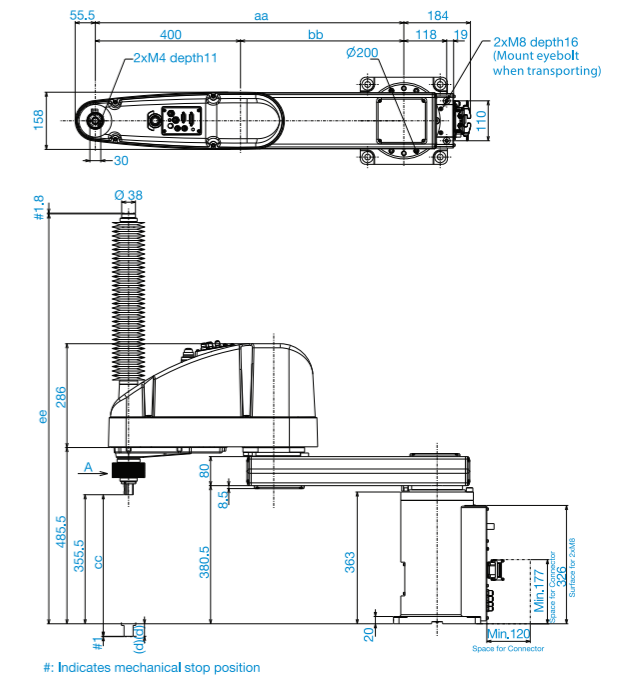


	GX10-B65□□S	GX10-B85□□S	GX20-B85□□S	GX20-BA0□□S
a	650	850	850	1000
b	250	450	450	600

	GX10/G20-B□□S	GX10/G20-B□□S
c	180	420
d	-213.5	26.5
e	813.5	1053.5

### Cleanroom-model



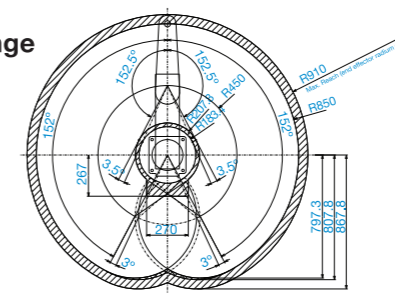
	GX10-B65□□C	GX10-B85□□C	GX20-B85□□C	GX20-BA0□□C
a	650	850	850	1000
b	250	450	450	600

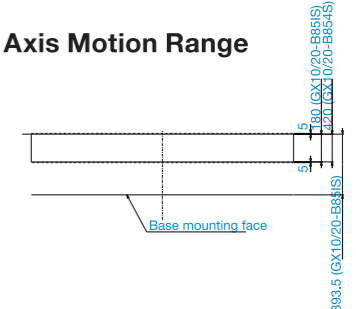
	GX10/G20-B□□C	GX10/G20-B□□C
c	150	390
d	-205.5	34.5
e	870.5	1129.5

## Motion Range

### 1<sup>st</sup>, 2<sup>nd</sup> Axis Motion Range



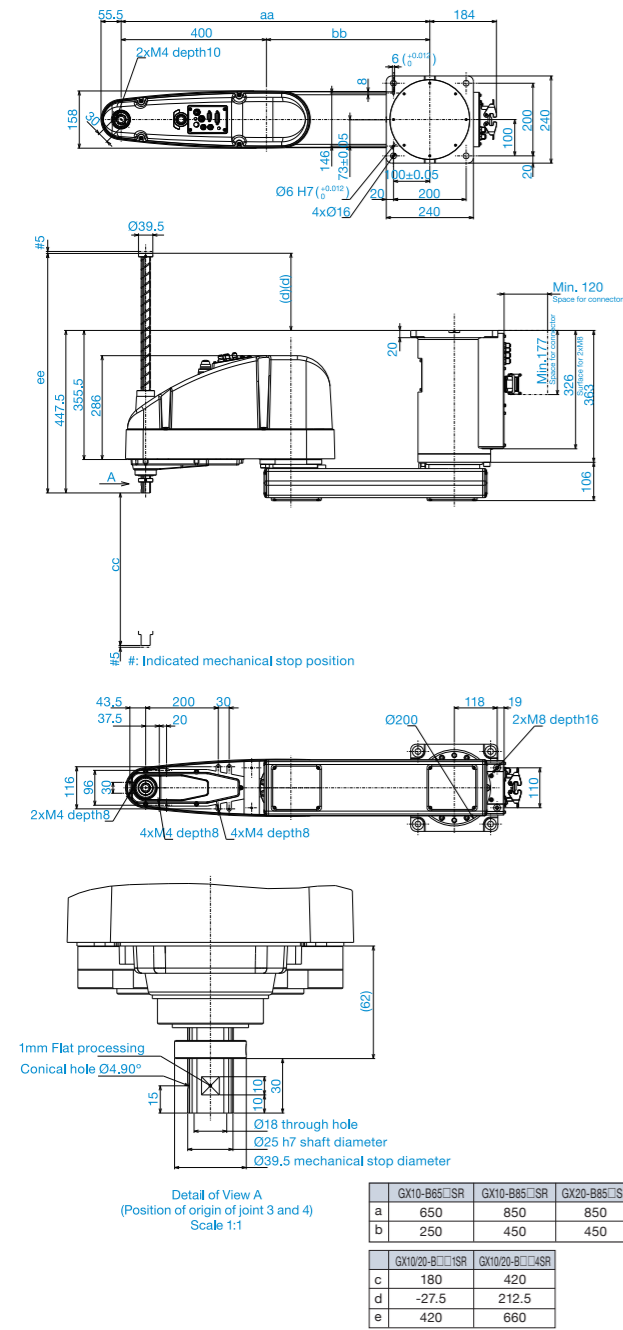
### Z Axis Motion Range



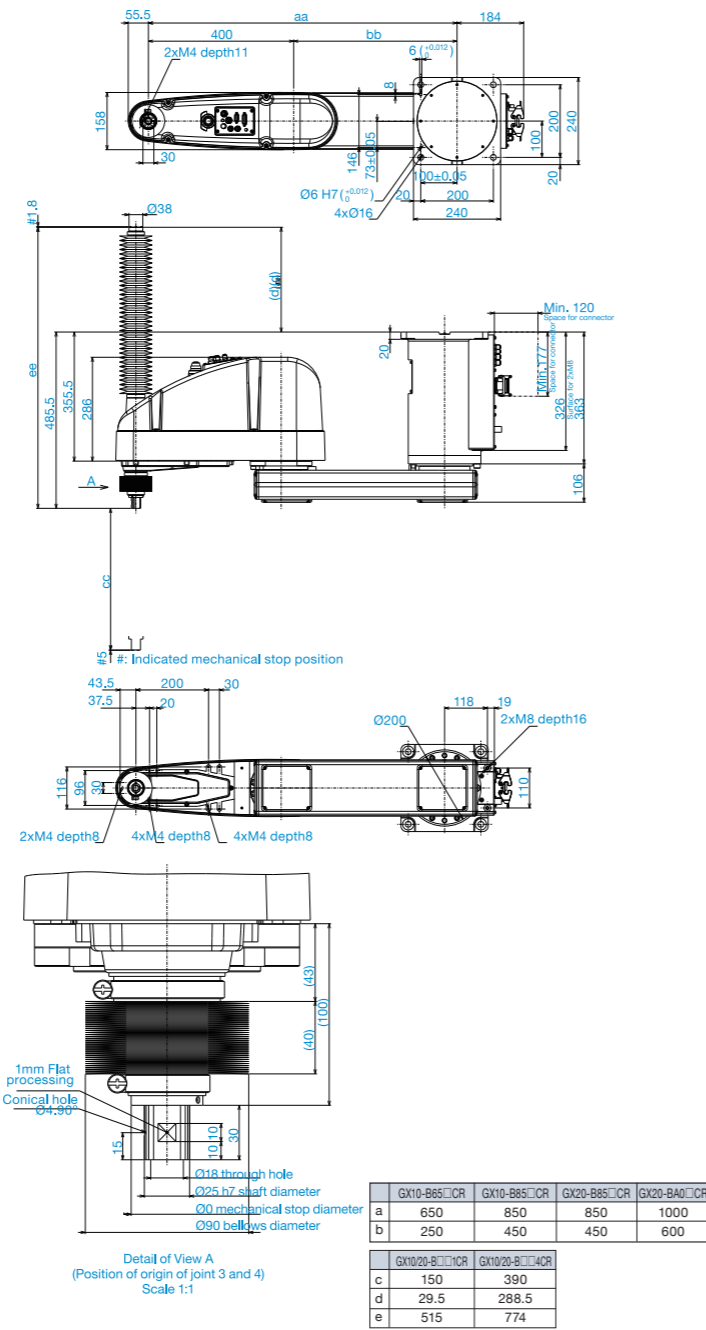
## Outer Dimensions (Ceiling Mounting)

[Unit: mm]

### Standard-model



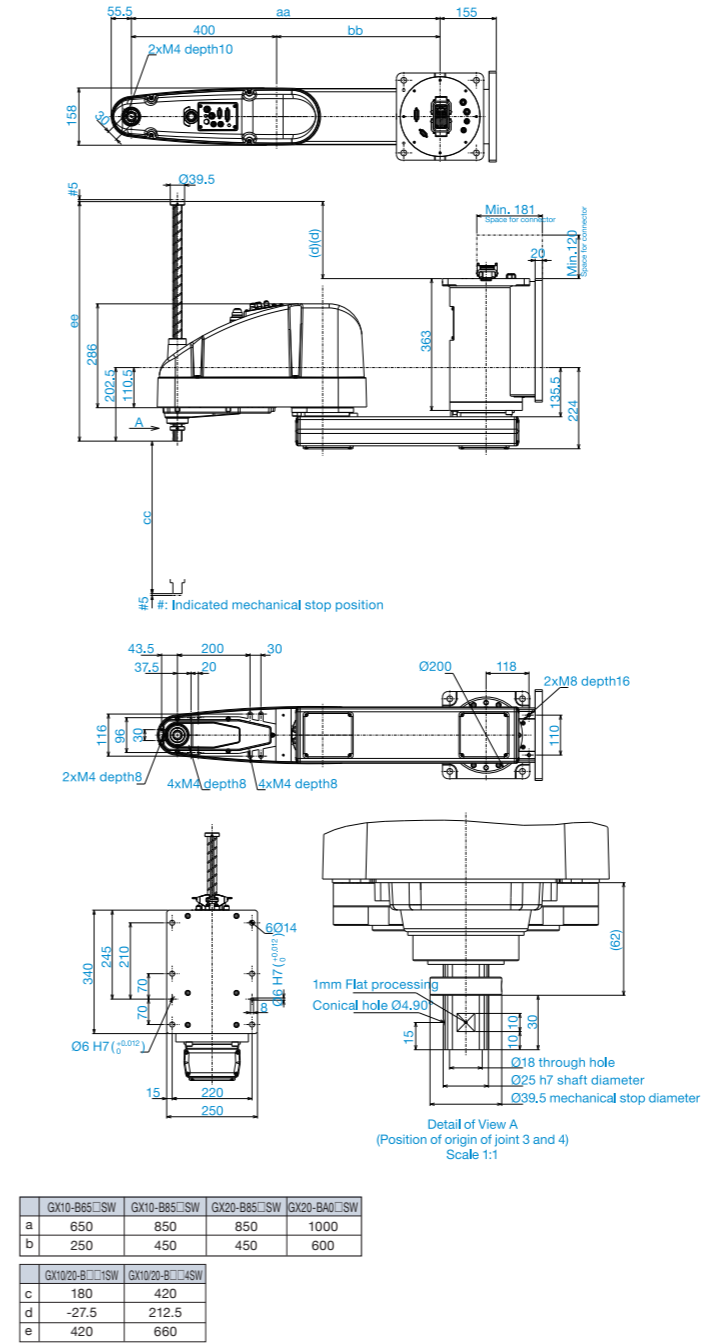
### Cleanroom-model



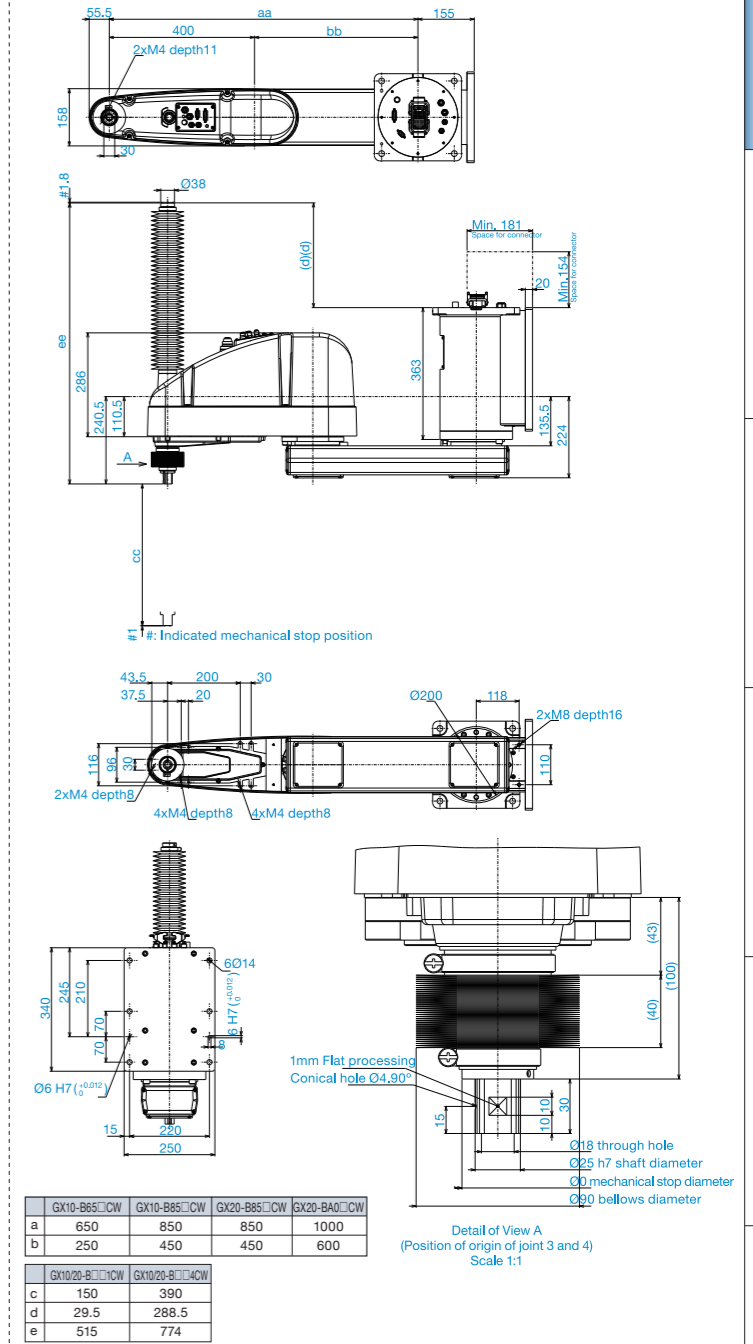
## Outer Dimensions (Wall Mounting)

[Unit: mm]

### Standard-model

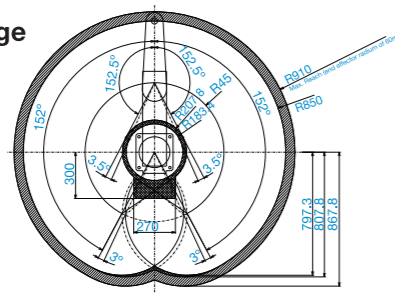


### Cleanroom-model

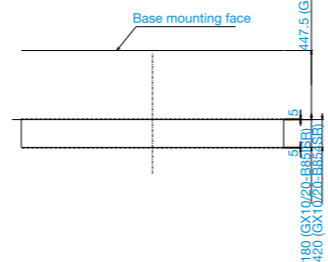


## Motion Range (Ceiling Mounting)

### 1st, 2nd Axis Motion Range

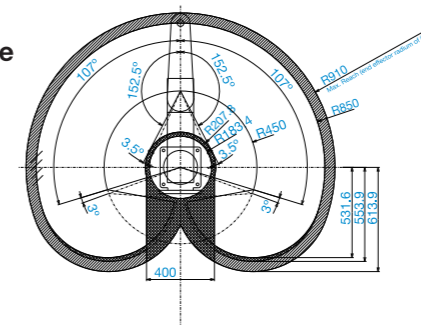


### Z Axis Motion Range

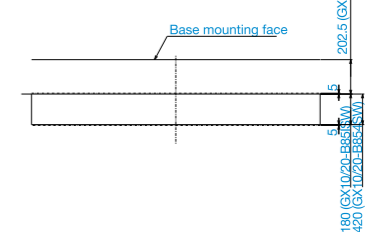


## Motion Range (Wall Mounting)

### 1st, 2nd Axis Motion Range



### Z Axis Motion Range



# LS3-B

## LS series reliability and performance with improved operating ease

- Built-in Ethernet port on arm for easier camera connectivity
- Batteryless motor unit for reduced maintenance
- Diagonally oriented rear ducting for a lower profile that helps reduce installation space requirements



Model Number	<b>LS3 - B 40 1 S</b>		
Payload	3 ]: 3kg	Environment	S ]: Standard C ]: Cleanroom
Arm length	40 ]: 400mm	Joint #3 stroke	1 ]: 150mm: Standard-model 1 ]: 120mm: Cleanroom-model (with bellows)

## Specifications

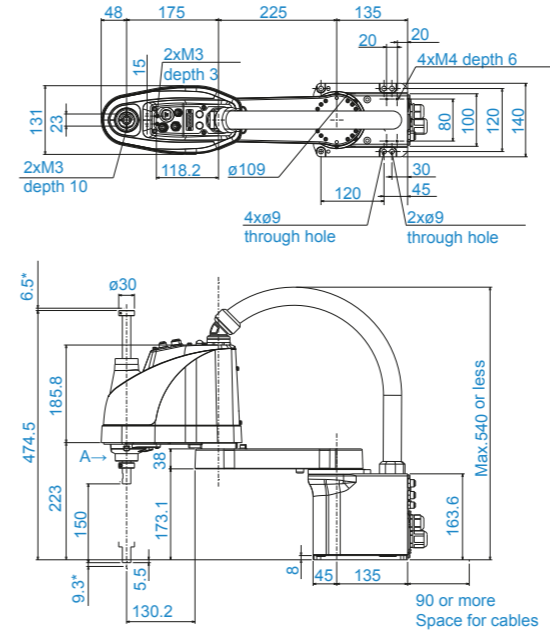
Model name		LS3-B
Model number		LS3-B401S/C
Arm length	Arm #1, #2	400 mm
Payload <sup>*1</sup>	Rated	1 kg
	Maximum	3 kg
Repeatability	Joints #1, #2	±0.01 mm
	Joint #3	±0.01 mm
	Joint #4	±0.01 deg
Standard cycle time <sup>*2</sup>		0.42 sec
Max. operating speed	Joints #1, #2	7200 mm/sec
	Joint #3	1100 mm/sec
	Joint #4	2600 deg/sec
Joint #4 allowable moment of inertia <sup>*3</sup>	Rated	0.005 kg·m <sup>2</sup>
	Maximum	0.05 kg·m <sup>2</sup>
Joint #3 down force		100 N
Installation environment		Standard or Clean <sup>*4</sup>
Mounting type		Table Top Mounting
Weight(cables not included)		14 kg
Applicable Controller		RC90-B
Installed wire for customer use		D-sub 15 pin x1 , RJ45 8 pin (CAT 5e) x1
Installed pneumatic tube for customer use		φ6 mm x 2 , φ4 mm x 1 : 0.59 MPa (6 kgf / cm <sup>2</sup> )
Power		AC200-240 V Single phase
Power Consumption <sup>*5</sup>		1.0 kVA
Cable length		3 m/ 5 m/ 10 m
Safety standard		CE, KC

\*1: Do not apply the load exceeding the maximum payload.  
 \*2: Cycle time based on round-trip arch motion (300 mm horizontal, 25 mm vertical) with Accel 120% and 2 kg payload (path coordinates optimized for maximum speed).  
 \*3: If the center of gravity is at the center of each arm. If the center of gravity is not at the center of each arm, set the eccentric quantity using INERTIA command.  
 \*4: Complies with ISO Class 4 cleanroom standards.  
 \*5: It depends on environment and motion program.

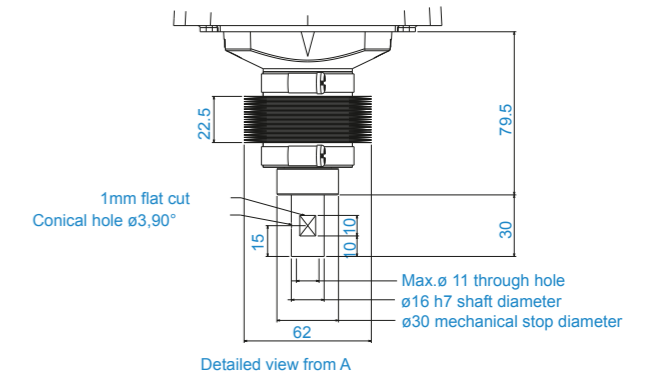
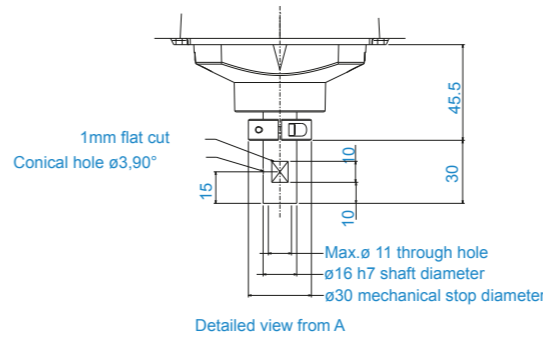
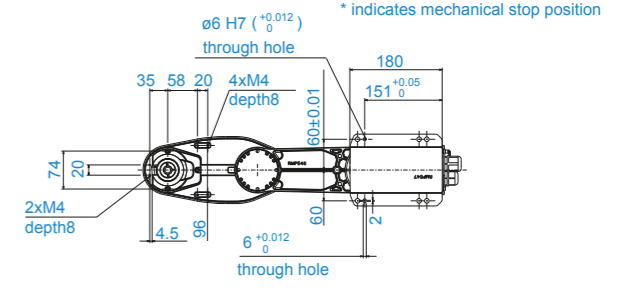
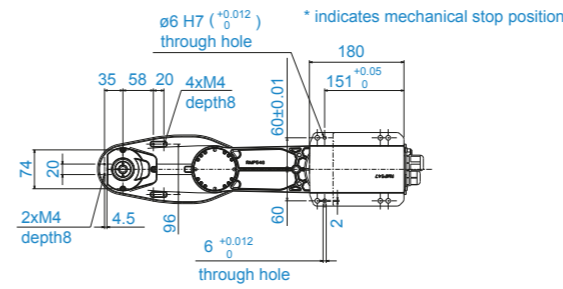
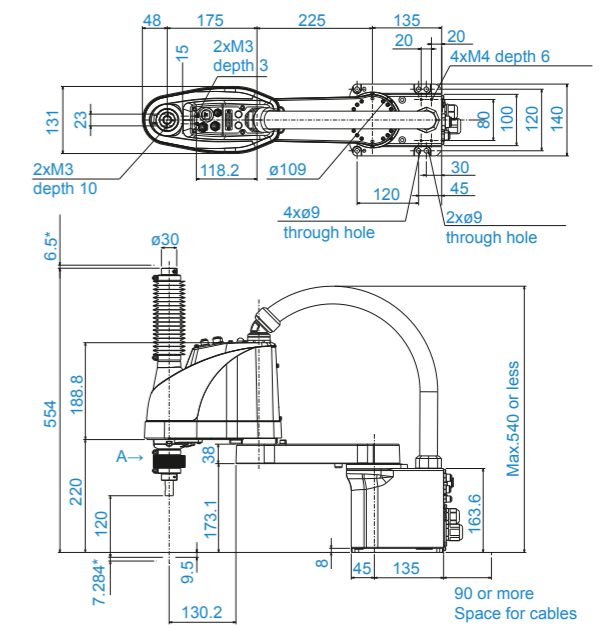
## Outer Dimensions (Table Top Mounting)

[Unit: mm]

### Standard-model



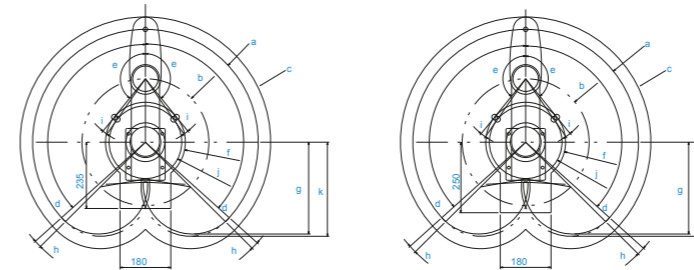
### Cleanroom-model



## Motion Range (Table Top Mounting)

LS3-B401S

LS3-B401C



Model	LS3-B401	
	Standard-model	Cleanroom-model
a Arm #1 + Arm #2 length (mm)	400	
b Arm #1 length (mm)	175	
c Max. motion range (mm)	449	
d Joint #1 motion angle (°)	132	
e Joint #2 motion angle (°)	141	
f Motion range (mm)	141.6	
g Motion range at the rear (mm)	325.5	
h Angle of the Joint #1 mechanical stop (°)	2.8	
i Angle of the Joint #2 mechanical stop (°)	4.2	
j Mechanical stop area (mm)	128.8	
k Mechanical stop area at the rear (mm)	333.5	

# LS6-B

## LS series reliability and performance with improved operating ease

- Built-in Ethernet port on arm for easier camera connectivity
- Batteryless motor unit for reduced maintenance
- Diagonally oriented rear ducting for a lower profile that helps reduce installation space requirements



Model Number	<b>LS6 - B60 2 S</b>		
Payload	[ 6 ] : 6kg	Environment	[ S ] : Standard [ C ] : Cleanroom
Arm length	[ 50 ] : 500mm [ 60 ] : 600mm [ 70 ] : 700mm	Joint #3 stroke	[ 2 ] : 170mm: Cleanroom-model (with bellows)

## Specifications

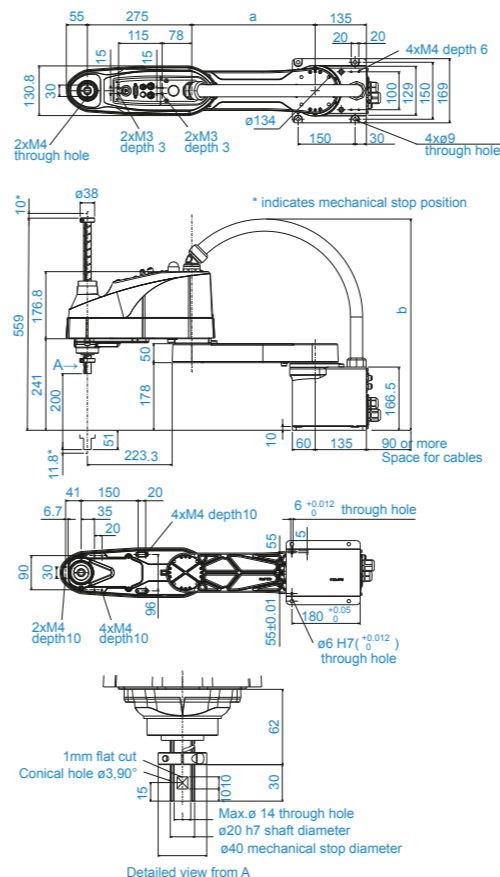
Model name		LS6-B		
Model number		LS6-B502S/C	LS6-B602S/C	LS6-B702S/C
Arm length	Arm #1, #2	500 mm	600 mm	700 mm
Payload <sup>1</sup>	Rated	2 kg		
	Maximum	6 kg		
Repeatability	Joints #1, #2	±0.02 mm		
	Joint #3	±0.01 mm		
	Joint #4	±0.01 deg		
Standard cycle time <sup>2</sup>		0.39 sec	0.40 sec	0.42 sec
Max. operating speed	Joints #1, #2	7120 mm/sec	7850 mm/sec	8590 mm/sec
	Joint #3	1100 mm/sec		
	Joint #4	2000 deg/sec		
Joint #4 allowable moment of inertia <sup>3</sup>	Rated	0.01 kg·m <sup>2</sup>		
	Maximum	0.12 kg·m <sup>2</sup>		
Joint #3 down force		100 N		
Installation environment		Standard or Clean <sup>4</sup>		
Mounting type		Table Top Mounting		
Weight(cables not included)		17 kg		18 kg
Applicable Controller		RC90-B		
Installed wire for customer use		D-sub 15 pin x1 , RJ45 8 pin (Cat 5e Class) x1		
Installed pneumatic tube for customer use		Φ4 mm x 1, Φ6 mm x 2		
Power		AC200-240 V Single phase		
Power Consumption <sup>5</sup>		1.1 kVA		
Cable length		3 m/5 m/10 m		
Safety standard		CE, KC		

\*1 : Do not apply the load exceeding the maximum payload.  
 \*2 : Cycle time based on round-trip arch motion (300mm horizontal, 25mm vertical) with Accel 120% and 2 kg payload (path coordinates optimized for maximum speed). Rounded down to the third decimal place.  
 \*3 : If the center of gravity is at the center of each arm. If the center of gravity is not at the center of each arm, set the eccentric quantity using INERTIA command.  
 \*4 : Complies with ISO Class 4 cleanroom standards.  
 \*5 : It depends on environment and motion program.

## Outer Dimensions (Table Top Mounting)

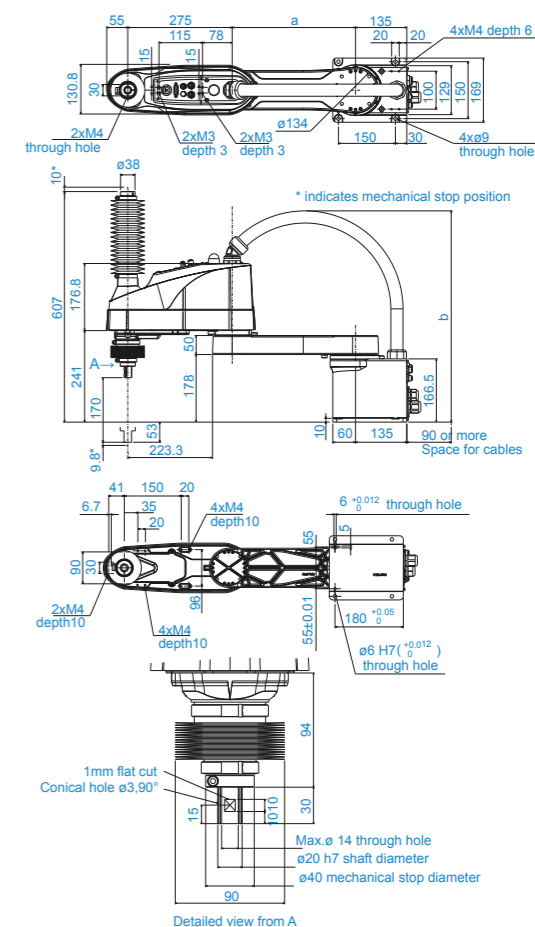
[Unit: mm]

### Standard-model



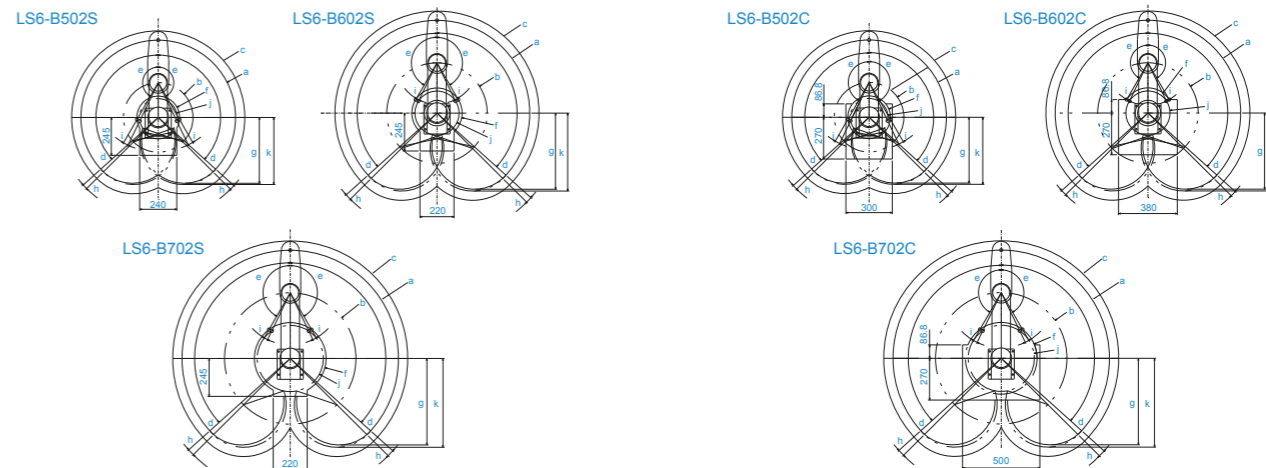
	LS6-B502S	LS6-B602S	LS6-B702S
a	225	325	425
b	529	559	589

### Cleanroom-model



	LS6-B502C	LS6-B602C	LS6-B702C
a	225	325	425
b	529	559	589

## Motion Range (Table Top Mounting)



Model	LS6-B502□	LS6-B602□	LS6-B702□
a Arm #1 + Arm #2 length (mm)	500	600	700
b Arm #1 length (mm)	225	325	425
c Max. motion range (mm)	556	656	756
d Joint #1 motion angle (°)	132		
e Joint #2 motion angle (°)	150		
f Motion range (mm)	138.1	162.6	232
g Motion range at the rear (mm)	425.6	492.5	559.4
h Angle of the Joint #1 mechanical stop (°)	2.8		
i Angle of the Joint #2 mechanical stop (°)	4.2		
j Mechanical stop area (mm)	121.8	142.5	214
k Mechanical stop area at the rear (mm)	433.5	504	574.5



# LS10-B



**A versatile new addition to the proven reliability and performance of the LS series**

- 10kg payload for applications requiring high inertia or the use of complex effectors
- A choice of three arm lengths and two ball screw lengths for high configurability to suit a variety of application requirements
- Built-in Ethernet port for easy camera connectivity
- Batteryless motor unit for reduced maintenance

Model Number	<b>LS10 - B</b> □ □ □		
Payload	□ 10 : 10kg	Environment	□ S : Standard □ C : Cleanroom
Arm length	□ 60 : 600mm □ 70 : 700mm □ 80 : 800mm	Joint #3 stroke	□ 2 : 200mm: Standard-model □ 2 : 170mm: Cleanroom-model (with bellows) □ 3 : 300mm: Standard-model □ 3 : 270mm: Cleanroom-model (with bellows)

## Specifications

Model name		LS10-B		
Model number		LS10-B60□S/C	LS10-B70□S/C	LS10-B80□S/C
Arm length	Arm #1, #2	600 mm	700 mm	800 mm
Payload <sup>1</sup>	Rated	5 kg		
	Maximum	10 kg		
Repeatability	Joints #1, #2	±0.02 mm		
	Joint #3	±0.01 mm		
	Joint #4	±0.01 deg		
Standard cycle time <sup>2</sup>		0.39 sec	0.41 sec	0.44sec
Max. operating speed	Joints #1, #2	9100 mm/sec	9800 mm/sec	10500 mm/sec
	Joint #3	1100 mm/sec		
	Joint #4	2700 deg/sec		
Joint #4 allowable moment of inertia <sup>3</sup>	Rated	0.02 kg·m <sup>2</sup>		
	Maximum	0.3 kg·m <sup>2</sup>		
Joint #3 down force		200 N		
Installation environment		Standard or Clean <sup>4</sup>		
Mounting type		Table Top		
Weight(cables not included)		22 kg	23 kg	
Applicable Controller		RC90-B		
Installed wire for customer use		D-sub 15 pin x1, RJ45 8 pin (Cat 5e equivalent) x1		
Installed pneumatic tube for customer use		Φ6 mm x 2, Φ4 mm x 1		
Power		AC200-240 V Single phase		
Power Consumption <sup>5</sup>		1.8 kVA		
Cable length		3 m/5 m/10 m		
Safety standard		CE, KC		

<sup>1</sup>: Do not apply the load exceeding the maximum payload.

<sup>2</sup>: Cycle time based on round-trip arch motion (300mm horizontal, 25mm vertical) with Accel 120% and 2 kg payload (path coordinates optimized for maximum speed).

<sup>3</sup>: If the center of gravity is at the center of each arm. If the center of gravity is not at the center of each arm, set the eccentric quantity using INERTIA command.

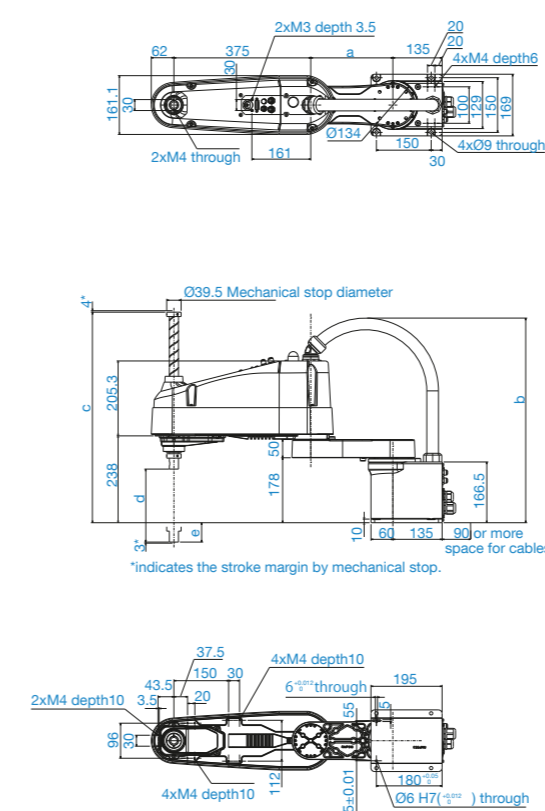
<sup>4</sup>: Complies with ISO Class 4 cleanroom standards.

<sup>5</sup>: It depends on operating environment and operation program.

## Outer Dimensions (Table Top Mounting)

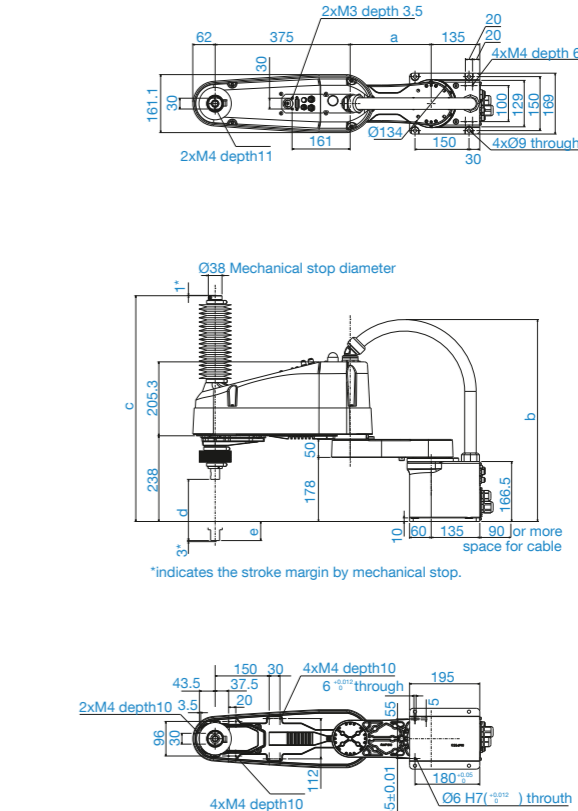
[単位:mm]

### Standard-model

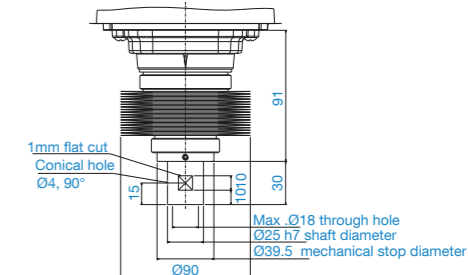
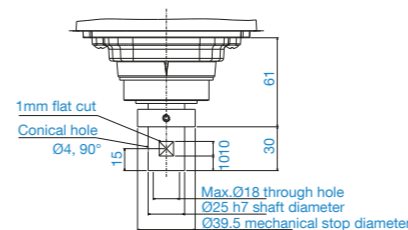


\*Indicates the stroke margin by mechanical stop.

### Cleanroom-model



\*Indicates the stroke margin by mechanical stop.

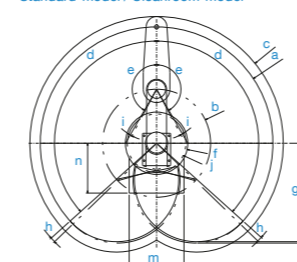


	LS10-B602S	LS10-B603S	LS10-B702S	LS10-B703S	LS10-B802S	LS10-B803S
a	225	225	325	325	425	425
b	Max.565	Max.565	Max.580	Max.580	Max.580	Max.580
c	577	677	577	677	577	677
d	200	300	200	300	200	300
e	53	153	53	153	53	153

	LS10-B602C	LS10-B603C	LS10-B702C	LS10-B703C	LS10-B802C	LS10-B803C
a	225	225	325	325	425	425
b	Max.565	Max.565	Max.580	Max.580	Max.580	Max.580
c	627	727	627	727	627	727
d	170	270	170	270	170	270
e	53	153	53	153	53	153

## Motion Range (Table Top Mounting)

Standard-model / Cleanroom-model



Model	Standard			Cleanroom			
	LS10-B602S/B603S	LS10-B702S/B703S	LS10-B802S/B803S	LS10-B602C/B603C	LS10-B702C/B703C	LS10-B802C/B803C	
a	Length of Arm #1 + Arm #2 (mm)	600	700	800	600	700	800
b	Length of Arm #1 (mm)	225	325	425	225	325	425
c	Max. motion range (mm)	663	763	863	663	763	863
d	Motion range of Joint #1 (°)	132					
e	Motion range of Joint #2 (°)	150					
f	Motion range (mm)	212	188	213	212	188	213
g	Motion range at the rear (mm)	526	592	659	526	592	659
h	Joint #1 angle to hit mechanical stop (°)	2					
i	Joint #2 angle to hit mechanical stop (°)	2					
j	Mechanical stop area (mm)	206	176	200	206	176	200
k	Mechanical stop area at the rear (mm)	531	601	670	531	601	670
m	Motion range (mm)	420	330	320	420	400	480
n	Motion range (mm)	300					

# LS20-B

## LS series reliability and performance with improved operating ease

- Higher allowable moment of inertia for improved performance when using large end effectors to perform multi-item pick-and-place operations
- Built-in Ethernet port on arm for easy camera connectivity
- Batteryless motor unit for reduced maintenance
- Improved duct design for low vibration during operation and easy cable installation



### Model Number LS20 - B80 4 S

Payload	Environment
[20]: 20kg	[S]: Standard
	[C]: Cleanroom
Arm length	Joint #3 stroke
[80]: 800mm	[4]: 420mm: Standard-model
[A0]: 1000mm	[4]: 390mm: Cleanroom-model (with bellows)

## Specifications

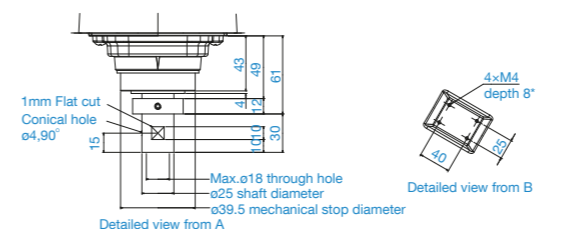
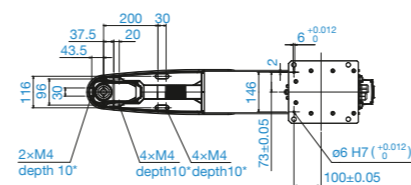
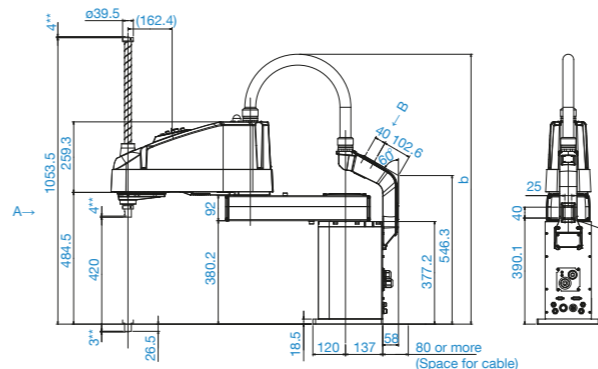
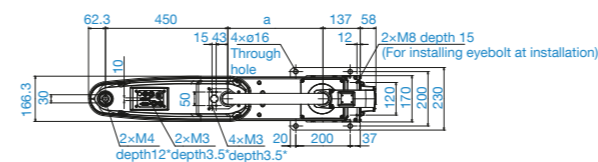
Model name		LS20-B	
Model number		LS20-B804S/C	LS20-BA04S/C
Arm length	Arm #1, #2	800 mm	1000 mm
Payload <sup>1</sup>	Rated	10 kg	
	Maximum	20 kg	
Repeatability	Joints #1, #2	±0.025 mm	
	Joint #3	±0.01 mm	
	Joint #4	±0.01 deg	
	Standard cycle time <sup>2</sup>	0.39 sec	0.43 sec
Max. operating speed	Joints #1, #2	9940 mm/sec	11250 mm/sec
	Joint #3	2300 mm/sec	
	Joint #4	1400 deg/sec	
Joint #4 allowable moment of inertia <sup>3</sup>	Rated	0.05 kg·m <sup>2</sup>	
	Maximum	1.00 kg·m <sup>2</sup>	
Joint #3 down force	250 N		
Installation environment	Standard or Clean <sup>4</sup>		
Mounting type	Table Top Mounting		
Weight(cables not included)	48 kg	51 kg	
Applicable Controller	RC90-B		
Installed wire for customer use	D-sub 15 pin x1, D-sub 9 pin x1, RJ45 8 pin (CAT 5e) x1		
Installed pneumatic tube for customer use	Φ8 mm × 2, Φ6 mm × 2 : 0.59 MPa (6 kgf / cm <sup>2</sup> )		
Power	AC200-240 V Single phase		
Power Consumption <sup>5</sup>	2.4 kVA		
Cable length	3 m/ 5 m/ 10 m		
Safety standard	CE, KC		

\*1 : Do not apply the load exceeding the maximum payload.  
 \*2 : Cycle time based on round-trip arch motion (300 mm horizontal, 25 mm vertical) with Accel 120% and 2 kg payload (path coordinates optimized for maximum speed).  
 \*3 : If the center of gravity is at the center of each arm. If the center of gravity is not at the center of each arm, set the eccentric quantity using INERTIA command.  
 \*4 : Complies with ISO Class 4 cleanroom standards.  
 \*5 : It depends on operating environment and operation program.

## Outer Dimensions (Table Top Mounting)

[Unit: mm]

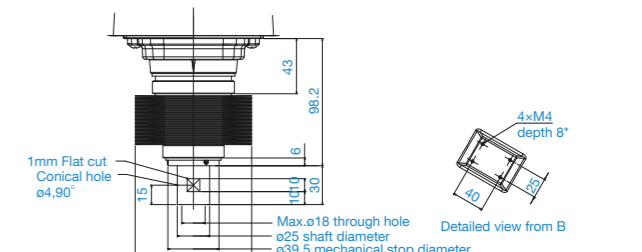
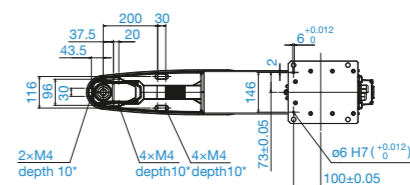
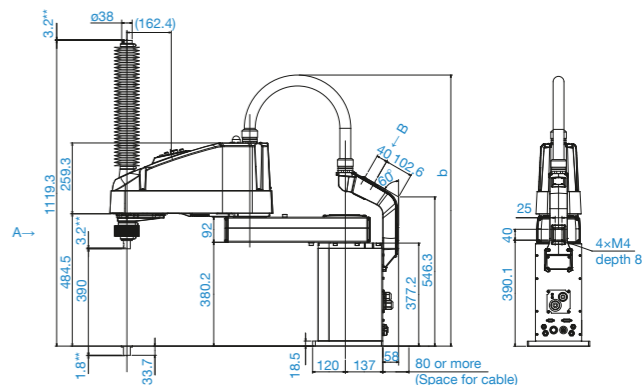
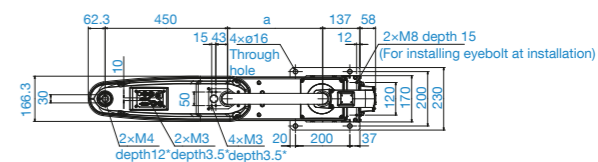
### Standard-model



\*: User tap  
 \*\*: Indicates mechanical stop position

	LS20-B804S	LS20-BA04S
a	350	550
b	Max.1000	Max.1100

### Cleanroom-model

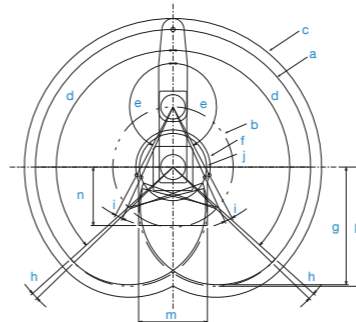


\*: User tap  
 \*\*: Indicates mechanical stop position

	LS20-B804C	LS20-BA04C
a	350	550
b	Max.1000	Max.1100

## Motion Range (Table Top Mounting)

Standard-model / Cleanroom-model



Model	Standard		Cleanroom	
	LS20-B804S	LS20-A04S	LS20-B804C	LS20-A04C
a Length of Arm #1 + Arm #2 (mm)	800	1000	800	1000
b Length of Arm #1 (mm)	350	550	350	550
c Length of Arm #2 (mm)	864	1064	864	1064
d Motion range of Joint #1 (°)	132			
e Motion range of Joint #2 (°)	152			
f Motion range (mm)	216.5	260.7	216.5	260.7
g Motion range at the rear (mm)	684.2	818	684.2	818
h Joint #1 angle to hit mechanical stop (°)	2			
i Joint #2 angle to hit mechanical stop (°)	3.6			
j Mechanical stop area (mm)	195.3	232.8	195.3	232.8
k Mechanical stop area at the rear (mm)	693.1	832.1	693.1	832.1
m Motion range (mm)	400	290	400	330
n Motion range (mm)	340	265	340	265

# T3-B NEW

## The ultimate alternative to slide-based systems designed for small workpiece handling

- All-in-one solution ideal for virtually any application
- Energy efficient (cuts energy consumption by over 50%)\*
- Simple I/O and short cable conduit for easy cabling, and offers payload of up to 3kg
- Batteryless motor unit to reduce running costs and factory downtime

\*Compared to Epson LS series robots as of January 2018. Data based on in-house testing; actual energy consumption varies according to workload and operating environment.



**Model Number** **T3 - B 40 1 S**

Payload  
3 : 3kg

Environment  
S : Standard

Arm length  
40 : 400mm

Joint #3 stroke  
1 : 150mm

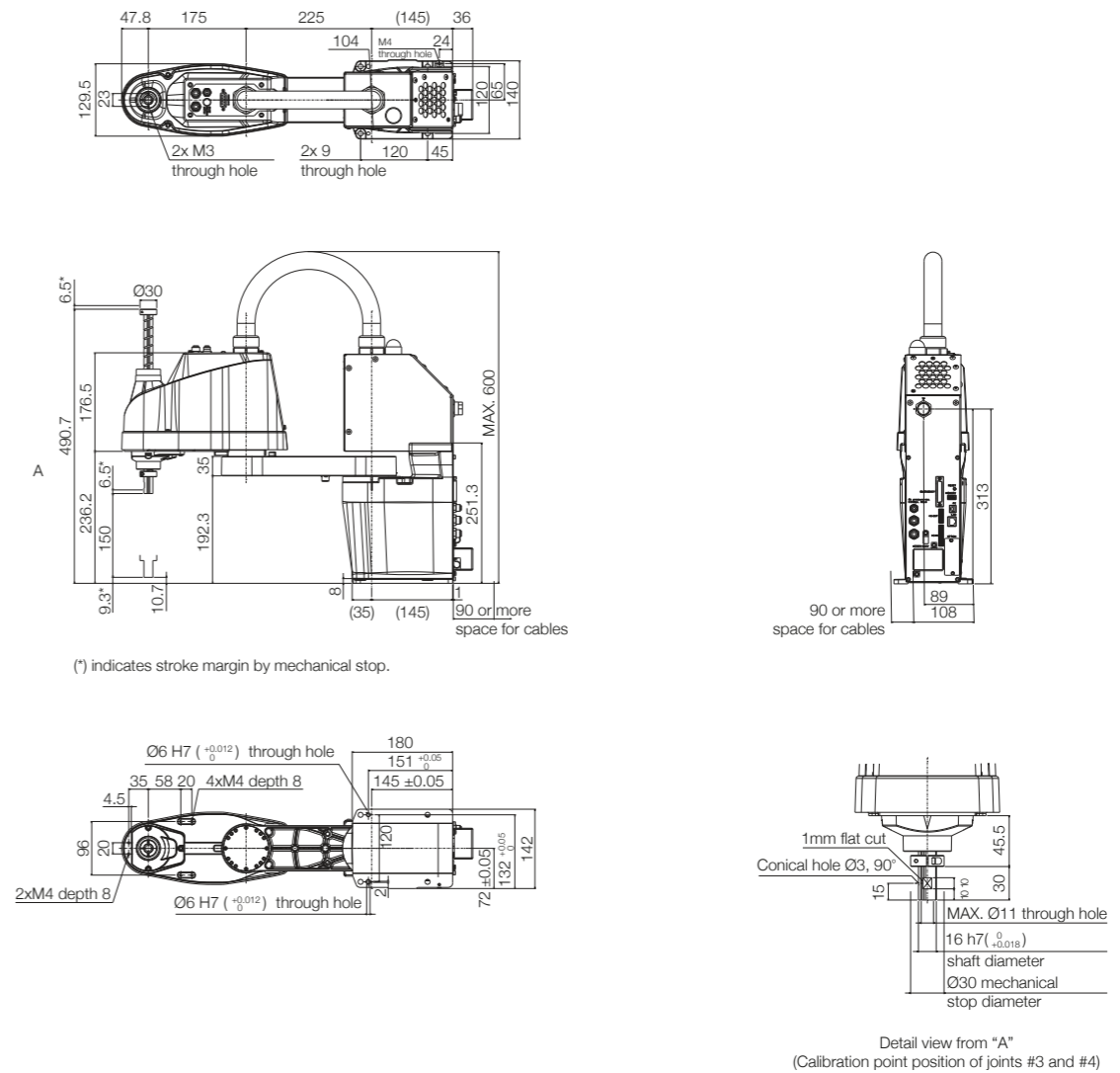
## Specifications

Model Name		T3-B
Model Number		T3-B401S
Arm length	Joints #1+#2 (mm)	400
Payload*1	Rated (kg)	1
	Maximum (kg)	3
Repeatability	Joints #1+#2 (mm)	± 0.02
	Joint #3 (mm)	± 0.02
	Joint #4 (deg)	± 0.02
Standard cycle time*2	(sec)	0.52 *2
Max. motion range	Joint #1 (deg)	± 132
	Joint #2 (deg)	± 141
	Joint #3 (mm)	150
	Joint #3 (deg)	± 360
Max. operating speed	Joints #1-#2 (mm/s)	3700
	Joint #3 (mm/s)	1000
	Joint #4 (deg/s)	2600
Joint #4 allowable moment of inertia *4	Rated (kg·m <sup>2</sup> )	0.003
	Max. (kg·m <sup>2</sup> )	0.01
Joint #3 down force	(N)	83
Installation environment		Standard (IP20)
Mounting type		Table Top
Weight (cables not included)	(kg) or less	14 kg : 31 lb
Applicable Controller		Built-in controller
Installed wire for customer use		Hand I/O: IN6/OUT4 (D-sub 15pin), User I/O: IN18/OUT12
Installed pneumatic tube for customer use		ø6 mm x 2, ø4mm x 1 : 0.59 MPa (6kgf/cm <sup>2</sup> : 86 psi)
Power / cable length		AC100-240V / 5m
Power Consumption *5	(kVA)	660VA
Safety standard		CE, KC

\*1 : Do not apply the load exceeding the maximum payload  
 \*2 : Cycle time based on round-trip arch motion (300mm horizontal, 25mm vertical) with 1 kg payload (path coordinates optimized for maximum speed).  
 \*3 : Cycle time based on round-trip arch motion (300mm horizontal, 25mm vertical) with 2 kg payload (path coordinates optimized for maximum speed).  
 \*4 : Set the parameters by the Inertia command according to the load and effector status (refer to the instruction manual for the parameter calculation method).  
 \*5 : It depends on operating environment and operation program.

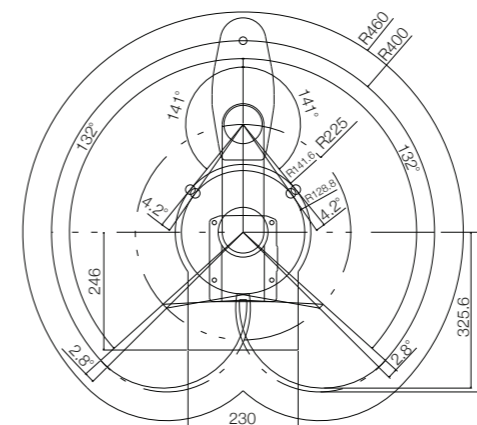
## Outer Dimensions (Table Top Mounting)

[Unit: mm]



## Motion Range (Table Top Mounting)

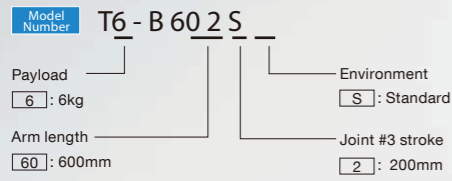
[Unit: mm]



# T6-B NEW

**Cost-efficient automation solution that is versatile for handling multiple workpieces and heavier loads**

- Built-in controller for simplified setup and reconfiguration
- High energy efficiency reduces factory operating costs
- Batteryless motor unit reduces running costs and factory downtime
- Ideal for easy automation of manual pick-and-place tasks with a payload of up to 6kg



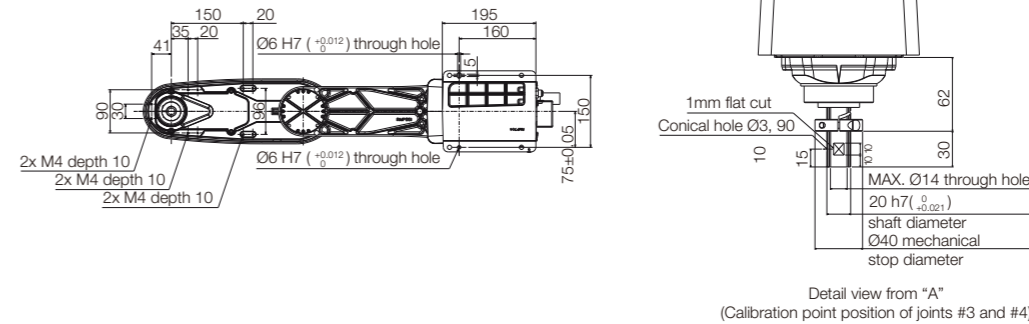
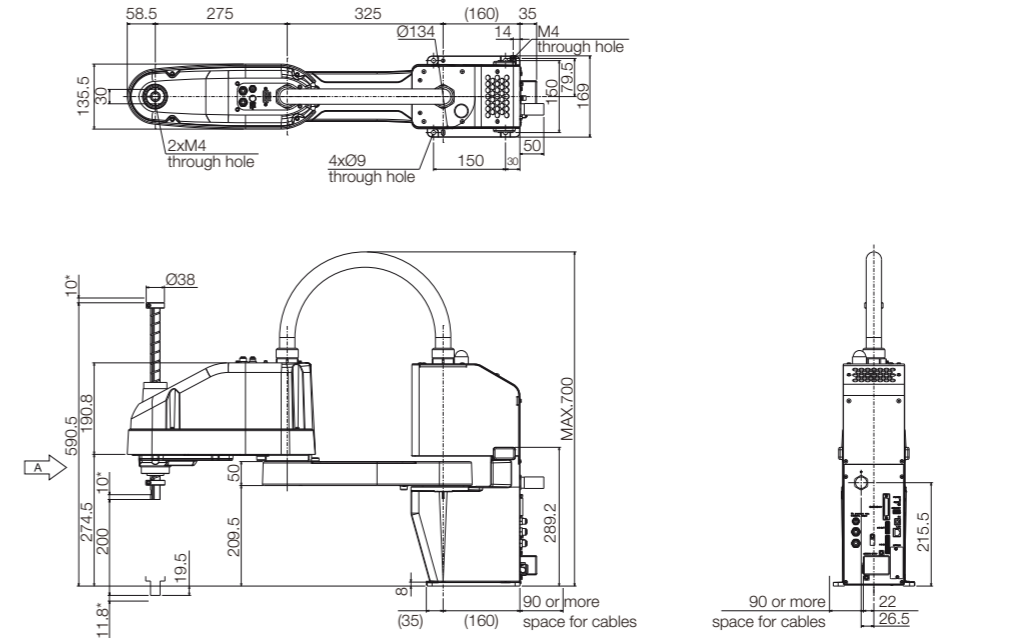
## Specifications

Model Name		T6-B
Model Number		T6-B602S
Arm length	Joints #1+#2 (mm)	600
	Rated (kg)	2
Payload <sup>*1</sup>	Maximum (kg)	6
	Joints #1+#2 (mm)	± 0.04
Repeatability	Joint #3 (mm)	± 0.02
	Joint #4 (deg)	± 0.02
	Standard cycle time <sup>*2</sup> (sec)	0.46 <sup>*3</sup>
Max. motion range	Joint #1 (deg)	± 132
	Joint #2 (deg)	± 150
	Joint #3 (mm)	200
	Joint #3 (deg)	± 360
Max. operating speed	Joints #1-#2 (mm/s)	4180
	Joint #3 (mm/s)	1000
	Joint #4 (deg/s)	1800
Joint #4 allowable moment of inertia <sup>*4</sup>	Rated (kg·m <sup>2</sup> )	0.01
	Max. (kg·m <sup>2</sup> )	0.08
Joint #3 down force	(N)	83
Installation environment		Standard (IP20)
Mounting type		Table Top
Weight (cables not included)	(kg) or less	21 kg : 46 lb
Applicable Controller		Built-in controller
Installed wire for customer use		Hand I/O: IN6/OUT4 (D-sub 15pin), User I/O: IN18/OUT12
Installed pneumatic tube for customer use		ø6 mm x 2, ø4mm x 1 : 0.59 MPa (6kgf/cm <sup>2</sup> : 86 psi)
Power / cable length		AC100-240V / 5m
Power Consumption <sup>*5</sup>	(kVA)	1200VA
Safety standard		CE, KC

<sup>\*1</sup>: Do not apply the load exceeding the maximum payload  
<sup>\*2</sup>: Cycle time based on round-trip arch motion (300mm horizontal, 25mm vertical) with 1 kg payload (path coordinates optimized for maximum speed).  
<sup>\*3</sup>: Cycle time based on round-trip arch motion (300mm horizontal, 25mm vertical) with 2 kg payload (path coordinates optimized for maximum speed).  
<sup>\*4</sup>: Set the parameters by the Inertia command according to the load and effector status (refer to the instruction manual for the parameter calculation method).  
<sup>\*5</sup>: It depends on operating environment and operation program.

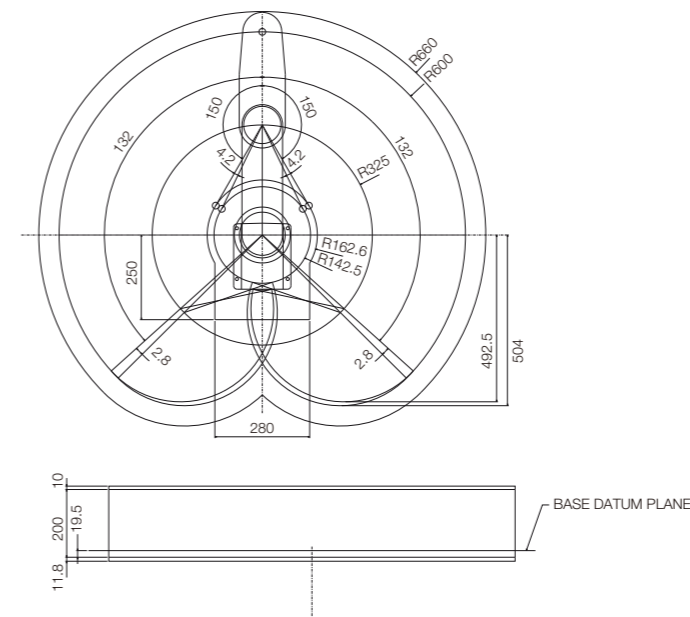
## Outer Dimensions (Table Top Mounting)

[Unit: mm]



## Motion Range (Table Top Mounting)

[Unit: mm]



# RS3



## Folding rotating arm enables large working area in limited space

- 350mm arm has effective reach of 494mm in four directions
- All-direction access for greater freedom in workcell layout
- Enables use of large pallets without requiring large robot installation footprint

**Model Number** **RS3 - 35 1 S - UL**

**Payload**  
 [ 3 ] : 3kg  
 [ ] : Non UL compliant  
 [ -UL ] : UL compliant

**Arm length**  
 [ 35 ] : 350mm

**Environment**  
 [ S ] : Standard  
 [ C ] : Cleanroom & ESD (Anti-static)

**Joint #3 stroke**  
 [ 1 ] : 130mm  
 [ ] : 100mm: Cleanroom-model

## Specifications

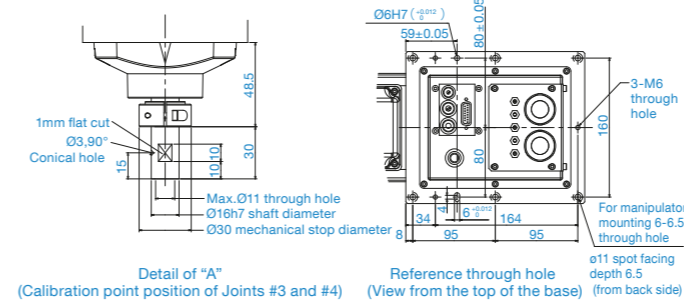
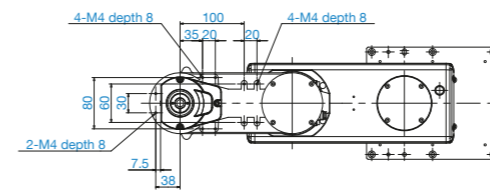
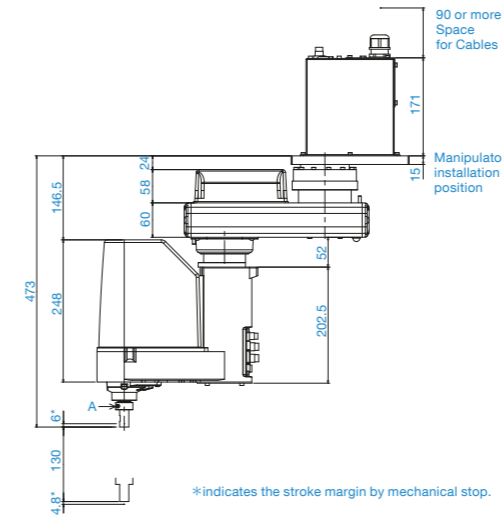
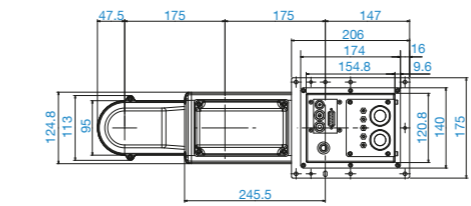
Model name		RS3
Model number		RS3-351□
Arm length	Arm #1, #2	350 mm
	Rated	1 kg
Payload	Maximum	3 kg
	Joints #1, #2	±0.01 mm
Repeatability	Joint #3	±0.01 mm
	Joint #4	±0.01 deg
	Standard cycle time <sup>1</sup>	0.34 sec
Max. operating speed	Joints #1, #2	6237 mm/sec
	Joint #3	1100 mm/sec
	Joint #4	2600 deg/sec
Joint #4 allowable moment of inertia <sup>2</sup>	Rated	0.005 kg·m <sup>2</sup>
	Maximum	0.05 kg·m <sup>2</sup>
Joint #3 down force		150 N
Installation environment		Standard/Cleanroom <sup>3</sup> &ESD
Mounting type		Ceiling
Weight (cables not included)		17 kg
Applicable Controller		RC700-A
Installed wire for customer use		15 Pin D-Sub
Installed pneumatic tube for customer use		Φ6 mm x 2, Φ4 mm x 1 : 0.59 MPa (6 kgf/cm <sup>2</sup> )
Power		AC200-240 V Single phase
Power Consumption <sup>4</sup>		1.2 kVA
Cable length		3 m/5 m/10 m/15 m/20 m
Safety standard		CE, KC, UL

<sup>1</sup>: Cycle time based on round-trip arch motion (300mm horizontal, 25mm vertical) with 1kg payload (path coordinates optimized for maximum speed).  
<sup>2</sup>: When payload center of gravity is aligned with Joint #4; if not aligned with Joint #4, set parameters using INERTIA command.  
<sup>3</sup>: Complies with ISO Class 3 (ISO14644-1) and older Class 1 (less than 10 0.1 μm particles per 28,317cm<sup>3</sup>:1cft) cleanroom standards.  
<sup>4</sup>: Varies according to operating environment and program.

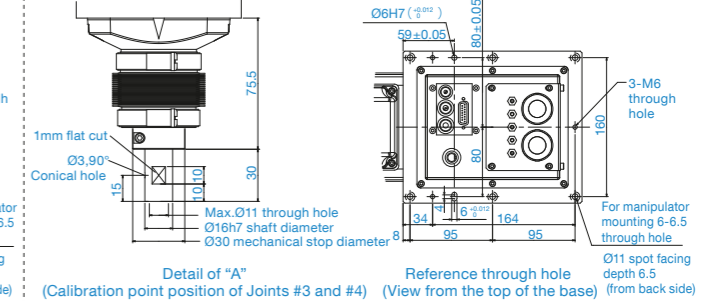
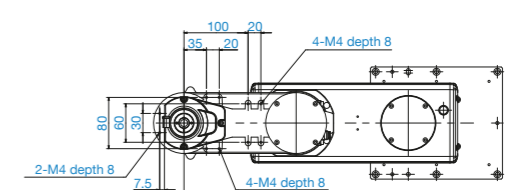
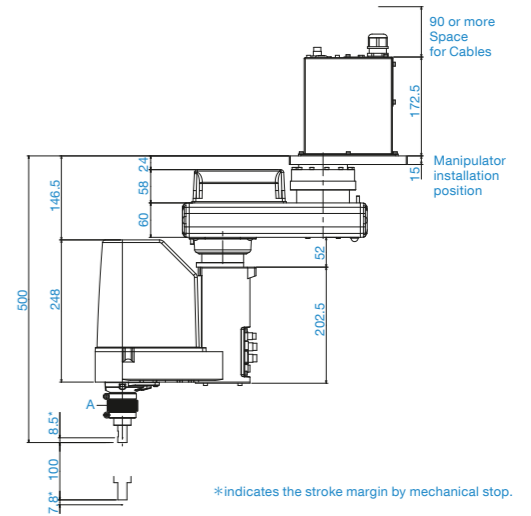
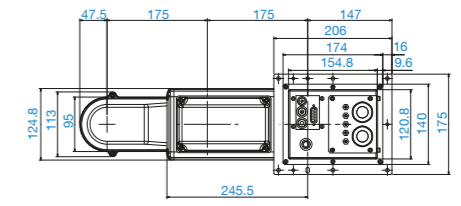
## Outer Dimensions (Ceiling Mounting)

[Unit: mm]

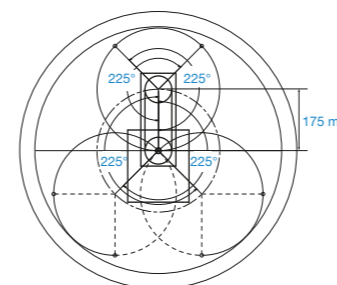
### Standard-model



### Cleanroom-model



## Motion Range (Ceiling Mounting)



Model	RS3-351□
Arm #1 Length (mm)	175
Arm #2 Length (mm)	175
Joint #1 Motion range (°)	±225
Joint #2 Motion range (°)	±225

# RS4



### Folding rotating arm enables large working area in limited space

- 550mm arm has effective reach of 777mm in four directions
- All-direction access for greater freedom in workcell layout
- Enables use of large pallets without requiring large robot installation footprint

#### Model Number **RS4 - 55 1 S - UL**

Payload	<b>4</b> : 4kg	UL specification	<b>□</b> : Non UL compliant <b>-UL</b> : UL compliant
Arm length	<b>55</b> : 550mm	Environment	<b>S</b> : Standard <b>C</b> : Cleanroom & ESD (Anti-static)
		Joint #3 stroke	<b>1</b> : 130mm <b>1</b> : 100mm: Cleanroom-model

### Specifications

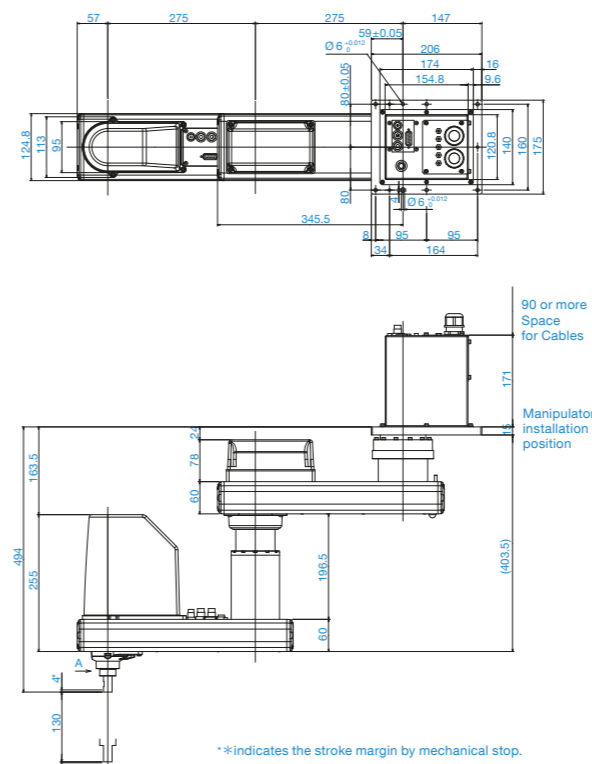
Model name		RS4
Model number		RS4-551□
Arm length	Arm #1, #2	550 mm
	Rated	1 kg
Payload	Maximum	4 kg
	Joints #1, #2	±0.015 mm
Repeatability	Joint #3	±0.01 mm
	Joint #4	±0.01 deg
	Standard cycle time <sup>1</sup>	0.39 sec
Max. operating speed	Joints #1, #2	7400 mm/sec
	Joint #3	1100 mm/sec
	Joint #4	2600 deg/sec
Joint #4 allowable moment of inertia <sup>2</sup>	Rated	0.005 kg·m <sup>2</sup>
	Maximum	0.05 kg·m <sup>2</sup>
Joint #3 down force		150 N
Installation environment		Standard/Cleanroom <sup>3</sup> &ESD
Mounting type		Ceiling
Weight (cables not included)		19 kg
Applicable Controller		RC700-A
Installed wire for customer use		15 Pin D-Sub
Installed pneumatic tube for customer use		Φ6 mm x 2, Φ4 mm x 1 : 0.59 MPa (6 kgf/cm <sup>2</sup> )
Power		AC200-240 V Single phase
Power Consumption <sup>4</sup>		1.4 kVA
Cable length		3 m/5 m/10 m/15 m/20 m
Safety standard		CE, KC, UL

<sup>1</sup>: Cycle time based on round-trip arch motion (300mm horizontal, 25mm vertical) with 1kg payload (path coordinates optimized for maximum speed).  
<sup>2</sup>: When payload center of gravity is aligned with Joint #4 ; if not aligned with Joint #4, set parameters using INERTIA command.  
<sup>3</sup>: Complies with ISO Class 3 (ISO14644-1) and older Class 1 (less than 10 0.1 μm particles per 28,317cm<sup>3</sup>:1cft) cleanroom standards.  
<sup>4</sup>: Varies according to operating environment and program.

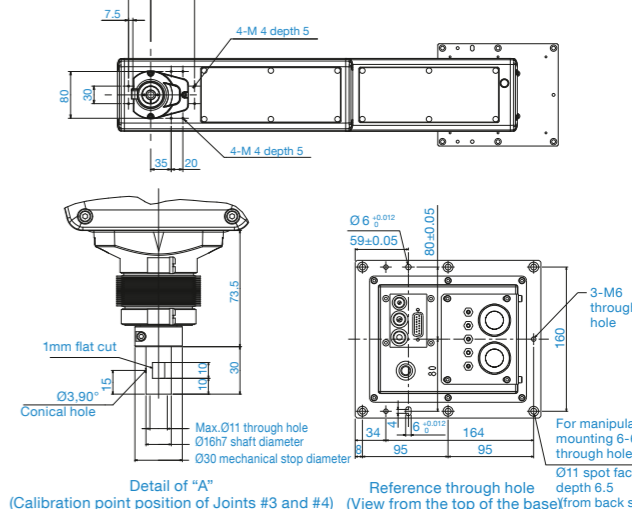
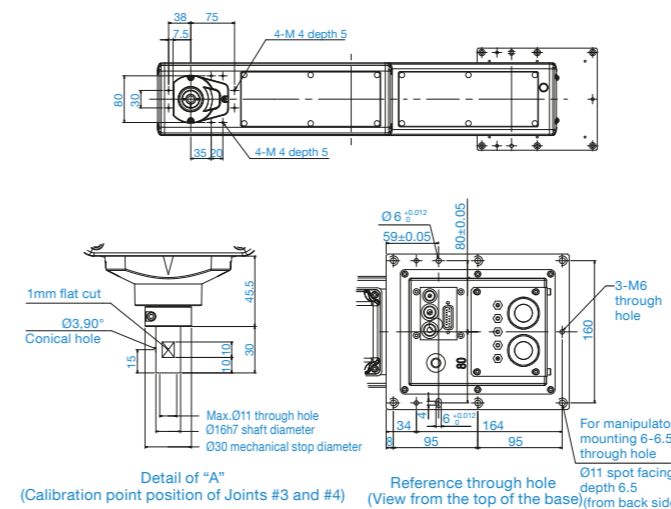
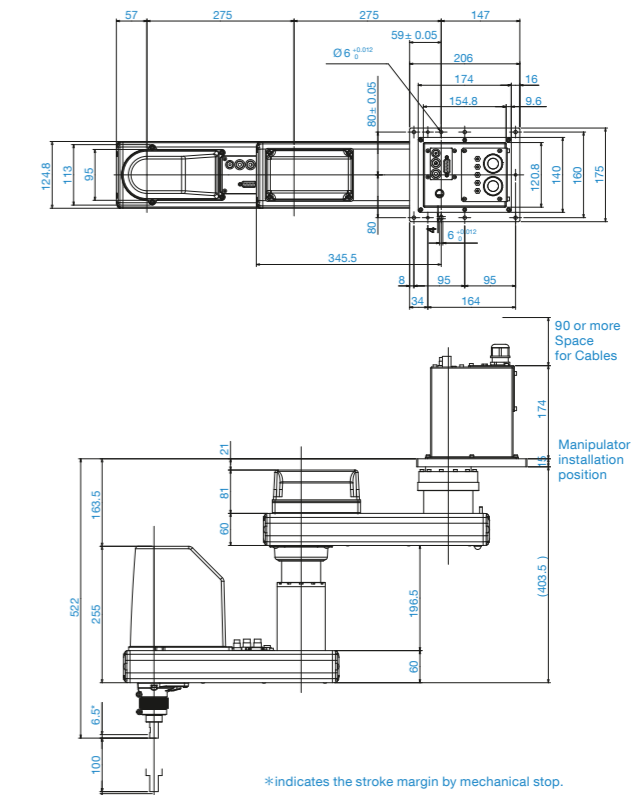
### Outer Dimensions (Ceiling Mounting)

[Unit: mm]

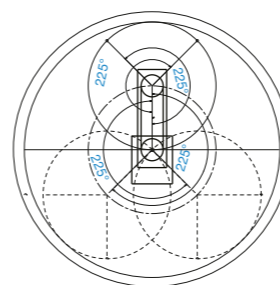
#### Standard-model



#### Cleanroom-model



### Motion Range (Ceiling Mounting)



Model	RS4-551□
Arm #1 Length (mm)	275
Arm #2 Length (mm)	275
Joint #1 Motion range (°)	±225
Joint #2 Motion range (°)	±225

# C4

## Speed and flexibility for machine tending operation in confined workspaces

- High speed and repeatability for maximum productivity
- Compact design for enhanced configuration flexibility
- C4-A901 long arm model also available



### Model Number C4 - A 60 1 S - UL

Payload 4 : 4kg	UL specification □ : Non UL compliant -UL : UL compliant
Arm length 6 : 600mm 9 : 900mm	Mounting type □ : Table Top Mounting R : Ceiling Mounting
Brake equipment 1 : Brakes on all joints	
Environment S : Standard model C : Cleanroom & ESD (electrostatic discharge) model	

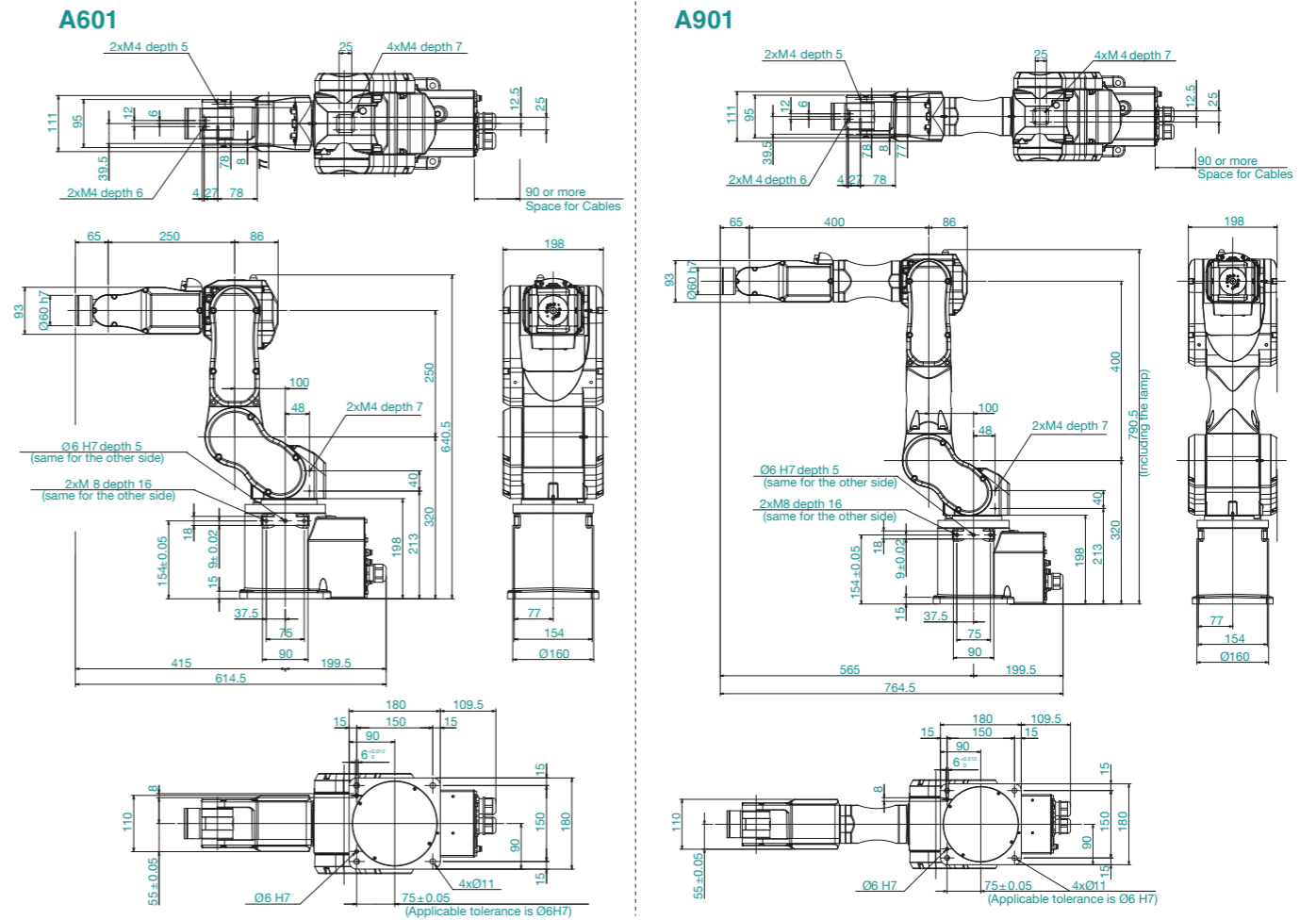
## Specifications

Model name		C4	C4L
Model number		C4-A601□	C4-A901□
Max. motion range	P point:through the center of J4/J5/J6	600 mm	900 mm
	Wrist flange surface	665 mm	965 mm
Payload	Rated	1 kg	
	Maximum	4 kg (5 kg with arm downward positioning)	
Repeatability	Joints #1-#6	±0.02 mm	±0.03 mm
Standard cycle time <sup>1</sup>		0.37 sec	0.47 sec
Max. operating speed	Joint #1	450 deg/sec	275 deg/sec
	Joint#2	450 deg/sec	275 deg/sec
	Joint #3	514 deg/sec	289 deg/sec
	Joint #4	555 deg/sec	
	Joint #5	555 deg/sec	
	Joint #6	720 deg/sec	
Allowable moment of inertia <sup>2</sup>	Joint #4	0.15 kg·m <sup>2</sup>	
	Joint #5	0.15 kg·m <sup>2</sup>	
	Joint #6	0.1 kg·m <sup>2</sup>	
Installation environment		Standard/Cleanroom <sup>3</sup> & ESD	
Mounting type		Table Top/Ceiling <sup>4</sup>	
Weight (cable not included)		27 kg	29 kg
Applicable Controller		RC700-A	
Installed wire for customer use		9 Pin D-Sub	
Installed pneumatic tube for customer		Φ4mm x 4 : 0.59 MPa (6 kgf/cm <sup>2</sup> )	
Power		AC200-240 V Single phase	
Power Consumption <sup>5</sup>		1.7 kVA	
Cable length		3 m/5 m/10 m/15 m/20 m	
Safety standard		CE, KC, UL	

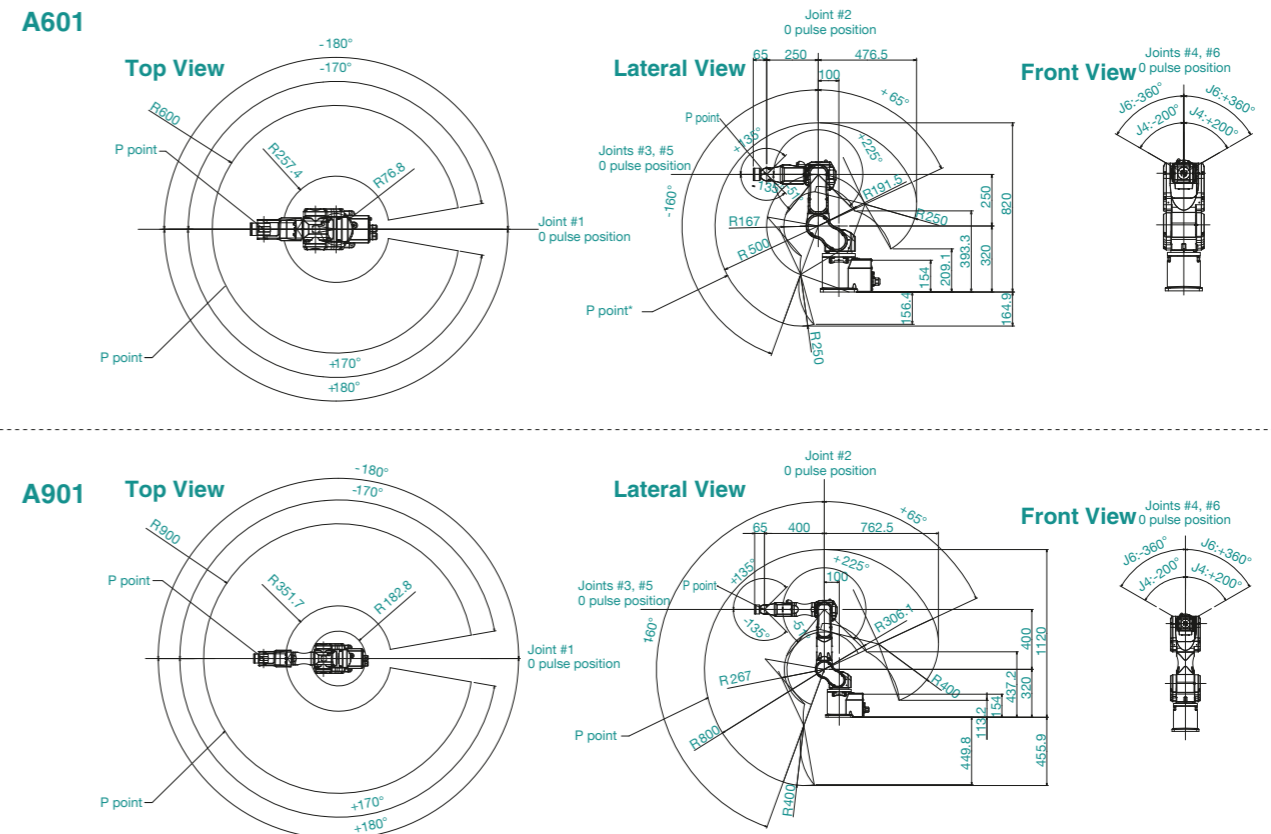
<sup>1</sup>: Cycle time based on round-trip arch motion (300mm horizontal, 25 mm vertical) with 1kg payload (path coordinates optimized for maximum speed).  
<sup>2</sup>: When payload center of gravity is aligned with Joint #4 ; if not aligned with Joint #4, set parameters using INERTIA command.  
<sup>3</sup>: Complies with ISO Class 3 (ISO14644-1) and older Class 1 (less than 10 0.1 μm particles per 28,317cm<sup>3</sup>:1cft) cleanroom standards.  
<sup>4</sup>: Ceiling-mounted robots should be programmed using the EPSON RC+ software ceiling-mount settings.  
<sup>5</sup>: Varies according to operating environment and program.

## Outer Dimensions

[Unit: mm]



## Motion Range



# C8 Series

## C8/C8L

**Exclusive Epson technology ensures high speed and low vibration with heavy payloads**

- Ideal for multi-effector pick-and-place with multiple workpieces, and for handling and assembly tasks with heavy payloads

## C8XL

**Long, slim, 1400mm arm for machine tending operation**

- Long, slim arm minimizes interference with nearby machinery and can reach into narrow spaces
- Low weight and compact design greatly increase configuration flexibility



### Model Number C8 - A14 0 1 S □ □ - UL

- Payload**
  - 8 : 8kg
- Arm length**
  - 7 : 710mm
  - 9 : 900mm
  - 14 : 1400mm
- Brake equipment**
  - 1 : Brakes on all joints
- Environment**
  - S : Standard model
  - C : Cleanroom & ESD (electrostatic discharge) model
  - P : Protection model (IP67)
- UL specification**
  - : Non UL compliant
  - UL : UL compliant
- Mounting type**
  - : Table Top Mounting
  - R : Ceiling Mounting
  - W : Wall Mounting
- M/C cable exit direction**
  - : Rearward
  - B : Downward

## Specifications

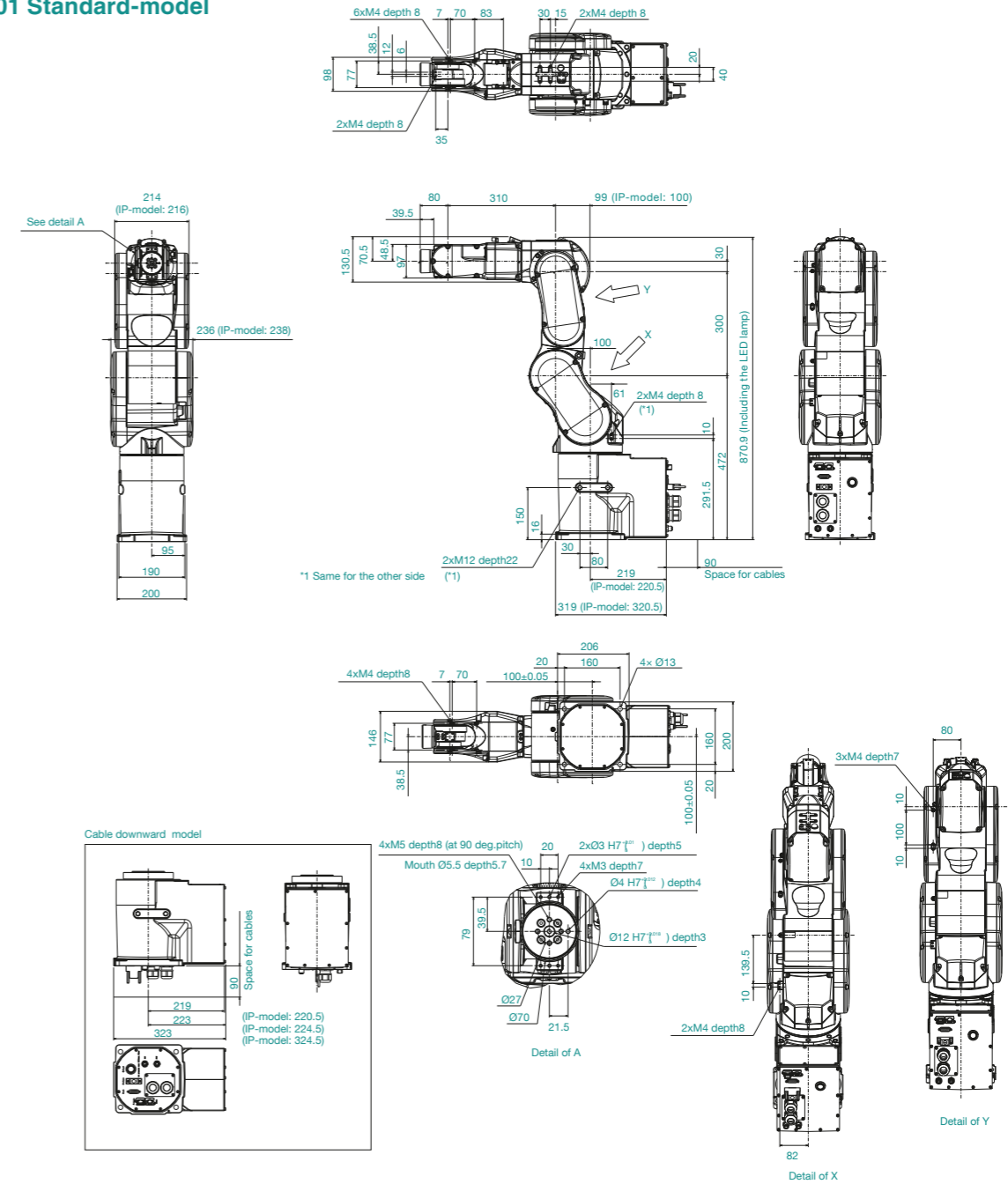
Model name	C8	C8L	C8XL	
Model number	C8-A701□□□	C8-A901□□□	C8-A1401□□□	
Max. motion range	P point:through the center of J4/J5/J6	711 mm	901 mm	1400 mm
	Wrist flange surface	791 mm	981 mm	1480 mm
Payload**	Rated	3 kg		
	Maximum	8 kg		
Repeatability	Joints #1-#6	±0.02 mm	±0.03 mm	±0.05 mm
Standard cycle time*1		0.31 sec	0.35 sec	0.53 sec
Max. operating speed	Joint #1	331 deg/sec	294 deg/sec	200 deg/sec
	Joint #2	332 deg/sec	300 deg/sec	167 deg/sec
	Joint #3	450 deg/sec	360 deg/sec	200 deg/sec
	Joint #4		450 deg/sec	
	Joint #5		450 deg/sec	
	Joint #6		720 deg/sec	
Allowable moment of inertia**	Joint #4	0.47 kg·m <sup>2</sup>		
	Joint #5	0.47 kg·m <sup>2</sup>		
	Joint #6	0.15 kg·m <sup>2</sup>		
Installation environment	Standard/Cleanroom*3 &ESD			
Mounting type	Table Top/Ceiling***/Wall***/Protection(IP67)			
Weight (cable not included)	49 kg (IP:53 kg)	52 kg (IP:56 kg)	62 kg (IP:66 kg)	
Applicable Controller	RC700-A			
Installed wire for customer use	15 pin (D-sub) , 8 pin (RJ45) , 6pin (for force sensor)			
Installed pneumatic tube for customer	Φ6 mm x 2/Allowable pressure: 0.59 Mpa (6 kgf/cm <sup>2</sup> )			
Power	AC200-240 V Single phase			
Power Consumption*5	2.5 kVA			
Cable length	3 m/5 m/10 m/15 m/20 m			
Safety standard	CE, KC, UL			

\*1: Cycle time based on round-trip arch motion (300 mm horizontal, 25 mm vertical) at each payload setting (path coordinates optimized for maximum speed)  
 \*2: When payload center of gravity is aligned with Joint #4 ; if not aligned with Joint #4, set parameters using INERTIA command.  
 \*3: C8 and C8L comply with ISO Class 3 (ISO14644-1) cleanroom standards (comparable to previous Clean Class 1: fewer than 10 particles with a diameter greater than 0.1 μm per 28317cm<sup>3</sup>:1cft in operating area air sample)  
 C8XL complies with ISO Class 4 (ISO14644-1) cleanroom standards (comparable to previous Clean Class 10: fewer than 100 particles with a diameter greater than 0.1 μm per 28317cm<sup>3</sup>:1cft in operating area air sample)  
 \*4: Ceiling- and wall-mounted robots should be programmed using the EPSON RC+ software ceiling- or wall-mount settings.  
 \*5: Varies according to operating environment and program.

## Outer Dimensions

[Unit: mm]

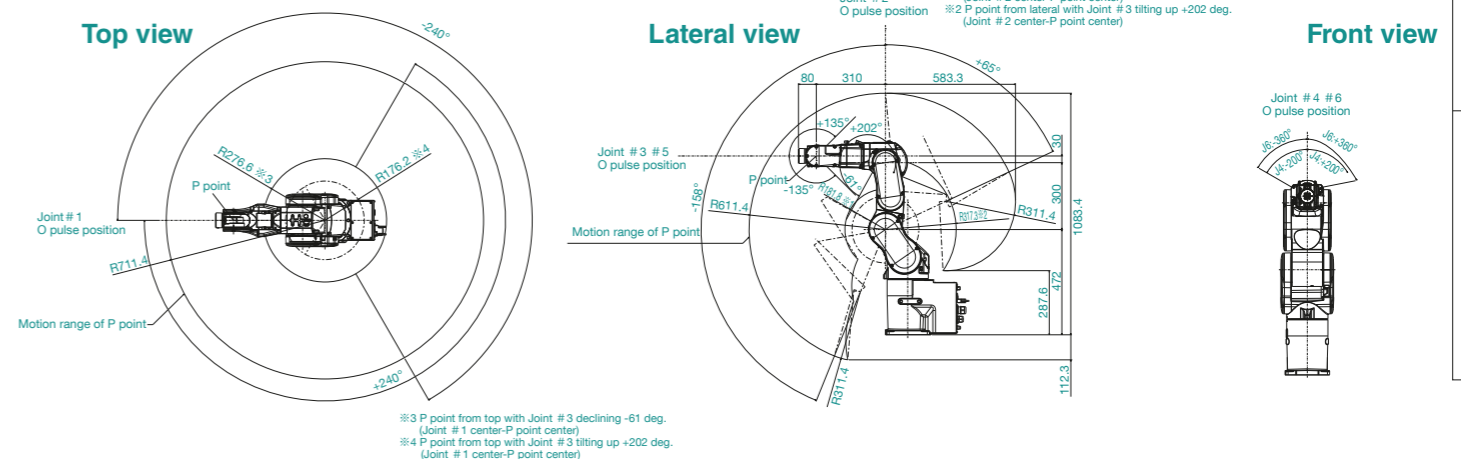
### A701 Standard-model



## Motion Range

[Unit: mm]

### A701 Standard-model

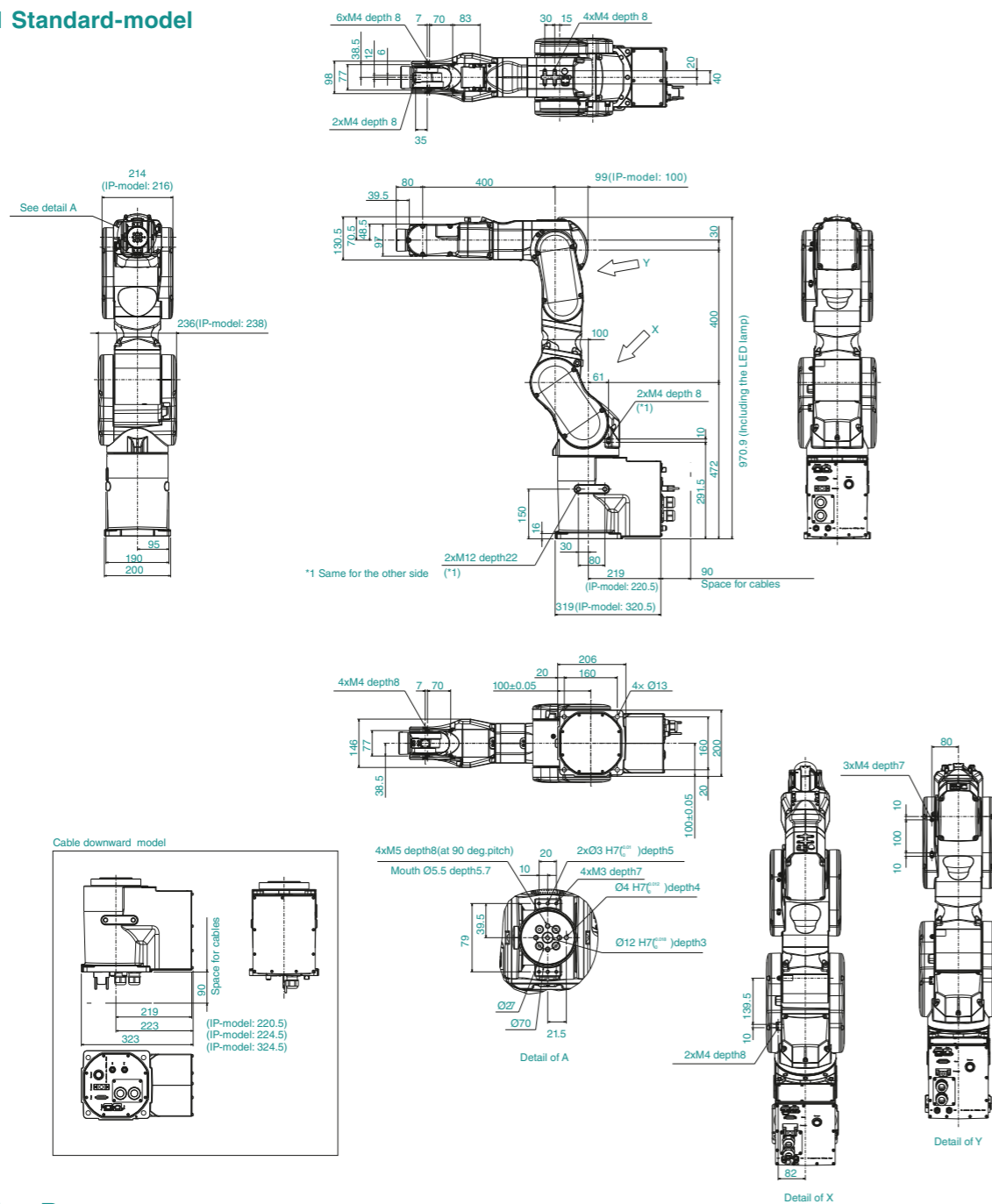




### Outer Dimensions

[Unit: mm]

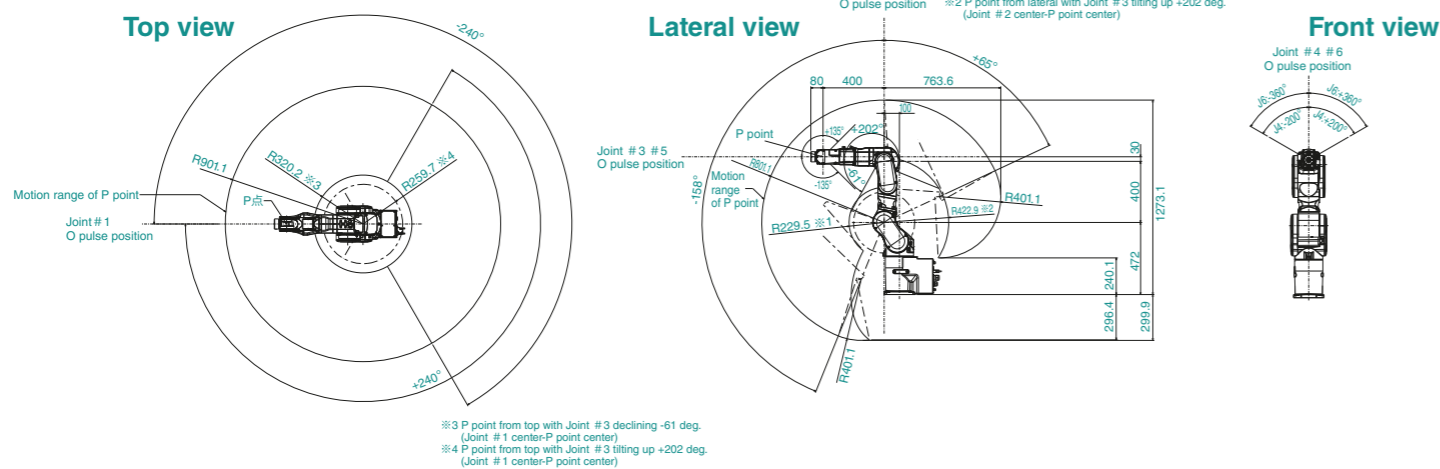
#### A901 Standard-model



### Motion Range

[Unit: mm]

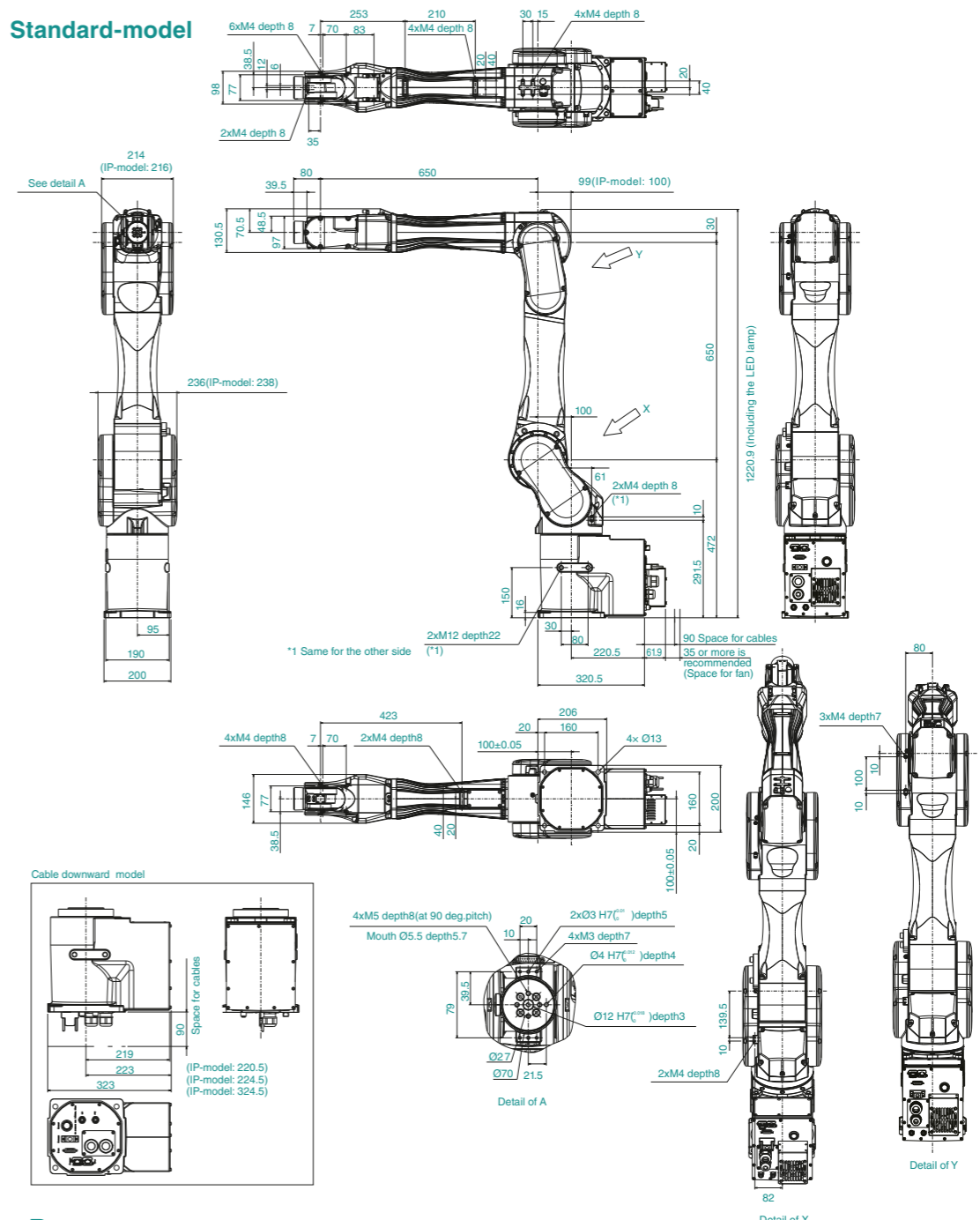
#### A901 Standard-model



### Outer Dimensions

[Unit: mm]

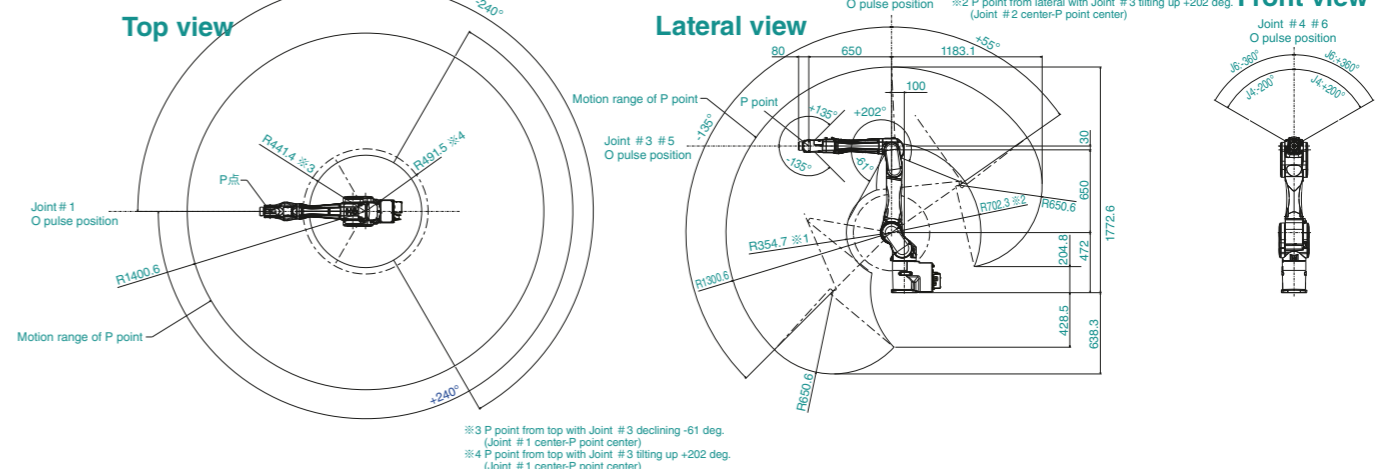
#### A1401 Standard-model



### Motion Range

[Unit: mm]

#### A1401 Standard-model



# C12

Space saving, slim but powerful

- Lightweight slim arm suitable for machine- tending
- Increase the load capacity to 12kg and expand the application area



**Model number** C 12 - A140 1 S □ □

**Payload**  
 □ 12 : 12kg

**Arm length**  
 □ 14 : 1400mm

**Blake equipment**  
 □ 1 : Brakes on all joints

**Mounting type**  
 □ : Table Top

**M/C cable installation direction**  
 □ : Cable backward  
 B : Cable downward

**Environment**  
 S : Standard model  
 C : Cleanroom model

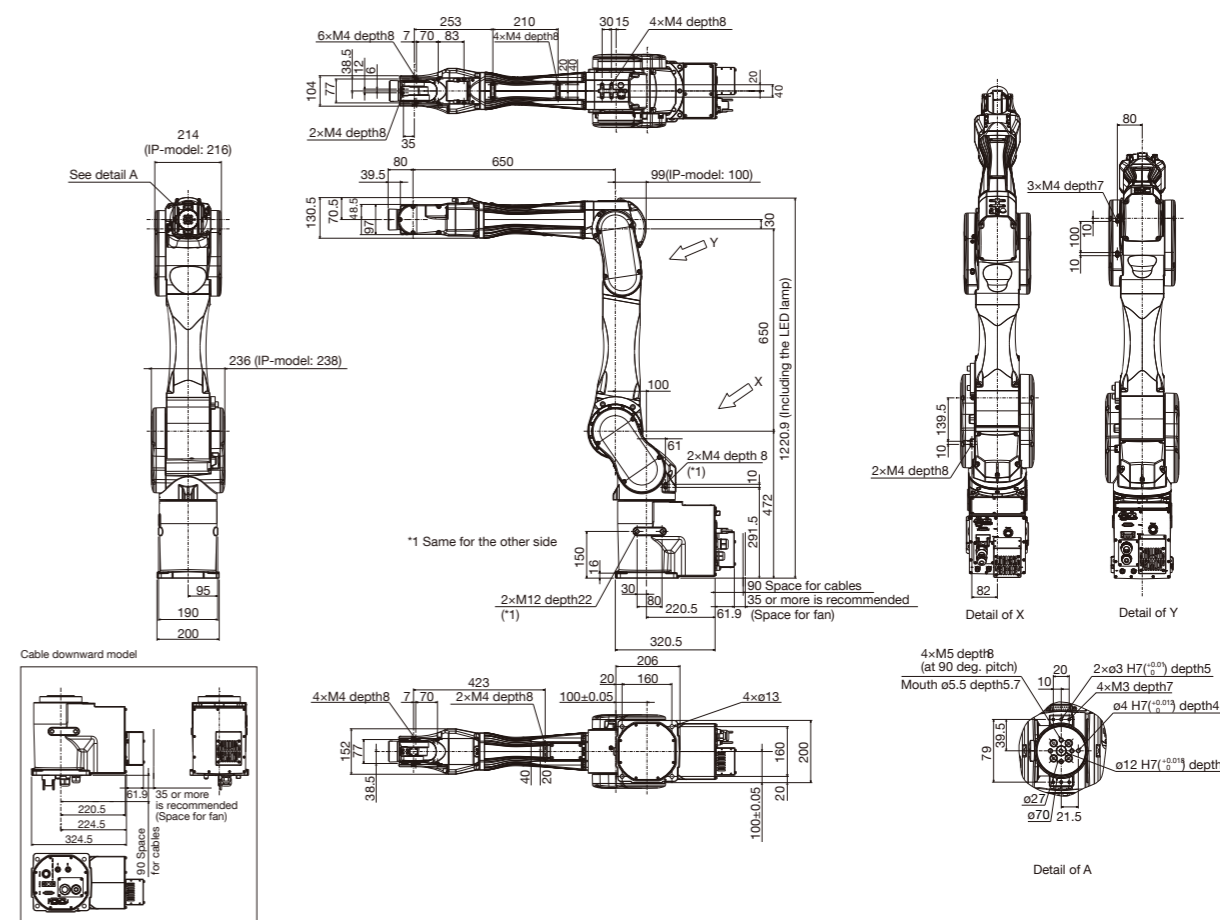
## Specification

Model name		C12XL
Model number		C12-A1401□□□
Arm length	Point P : J1-J5 center	1400 mm
	J1-J6 Flange surface	1480 mm
Payload	Rated	3 kg
	Max.	12 kg
Repeatability	Joint#1-6	± 0.05 mm
Standard cycle time *1		0.50 sec
Max. operation speed	Joint#1	200 deg/sec
	Joint#2	167 deg/sec
	Joint#3	200 deg/sec
	Joint#4	300 deg/sec
	Joint#5	360 deg/sec
	Joint#6	720 deg/sec
Allowable moment of inertia *2	Joint#4	0.70 kg-m <sup>2</sup>
	Joint#5	0.70 kg-m <sup>2</sup>
	Joint#6	0.20 kg-m <sup>2</sup>
Installation Environment		Standard / Clean & ESD*3
Mounting type		Table Top*4
Weight (cables not included)		63 kg
Applicable Controller		RC700-A
Installed wire for customer use		15 pin D-Sub , 8 pin(RJ45)CAT 5e
Installed pneumatic tube for customer use		ø6 mm x 2 Pressure resistance : 0.59 MPa ( 6 kgf / cm <sup>2</sup> ) ( 86psi )
Power *5		AC200-240 V
Power Consumption		2.5 kVA
Cable length		3 / 5 / 10 / 15 / 20 m

\*1 : Cycle time based on round-trip arch motion (300mm horizontal, 25mm vertical) with Accel 120% and 1 kg payload (path coordinates optimized for maximum speed).  
 \*2 : If the center of gravity is at the center of each arm. If the center of gravity is not at the center of each arm, set the eccentric quantity using INERTIA command.  
 \*3 : Clean level: ISO class 4 (ISO14644-1)  
 \*4 : Mounting type other than table top are out of specification. If you wish, please contact the distributor.  
 \*5 : It depends on operating environment and operation program.

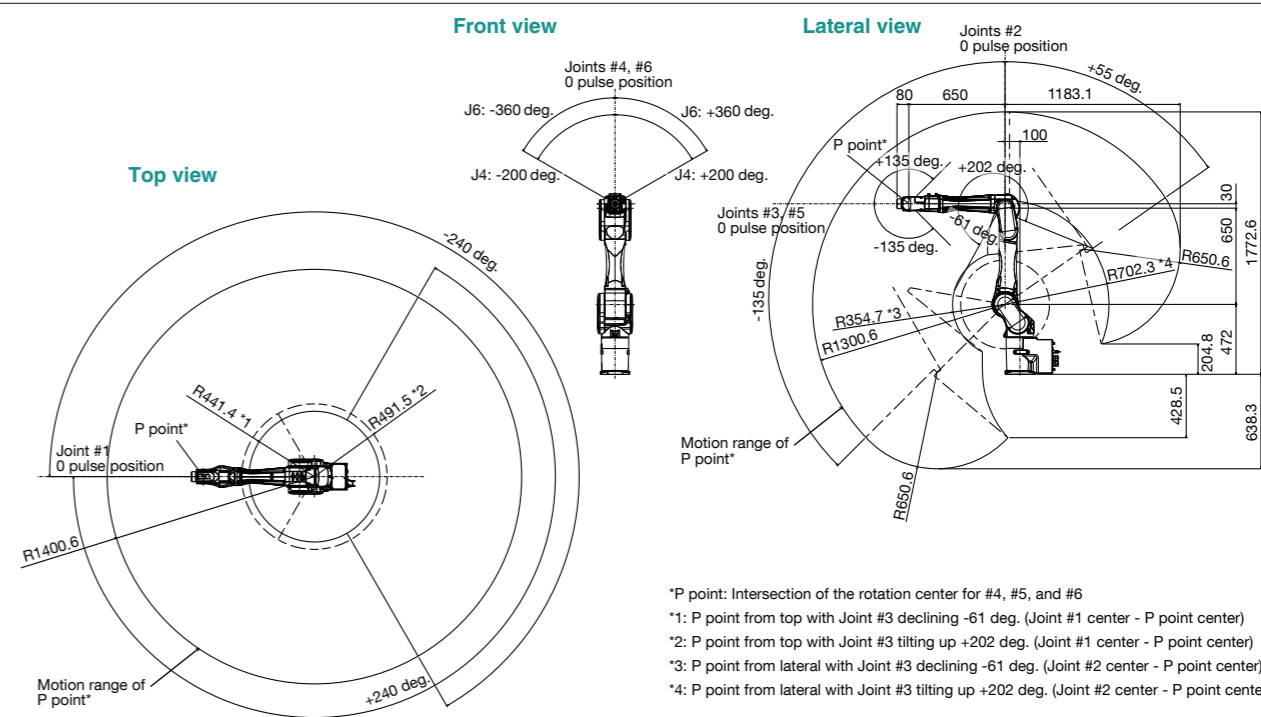
## Outer Dimensions

[Unit: mm]



## Motion Range

[Unit: mm]



# N2

Unique folding arm design provides the motion flexibility of a 6-axis robot in the space-saving compact size

- Slim folding arm design
- Requires only 600mm x 600mm installation space — 40% less than a C4 robot\*
- Arm rotation enables shortcut access to workpiece from any direction

\*C4: ø660 mm → N2: ø460 mm (Epson data as of October 2018)

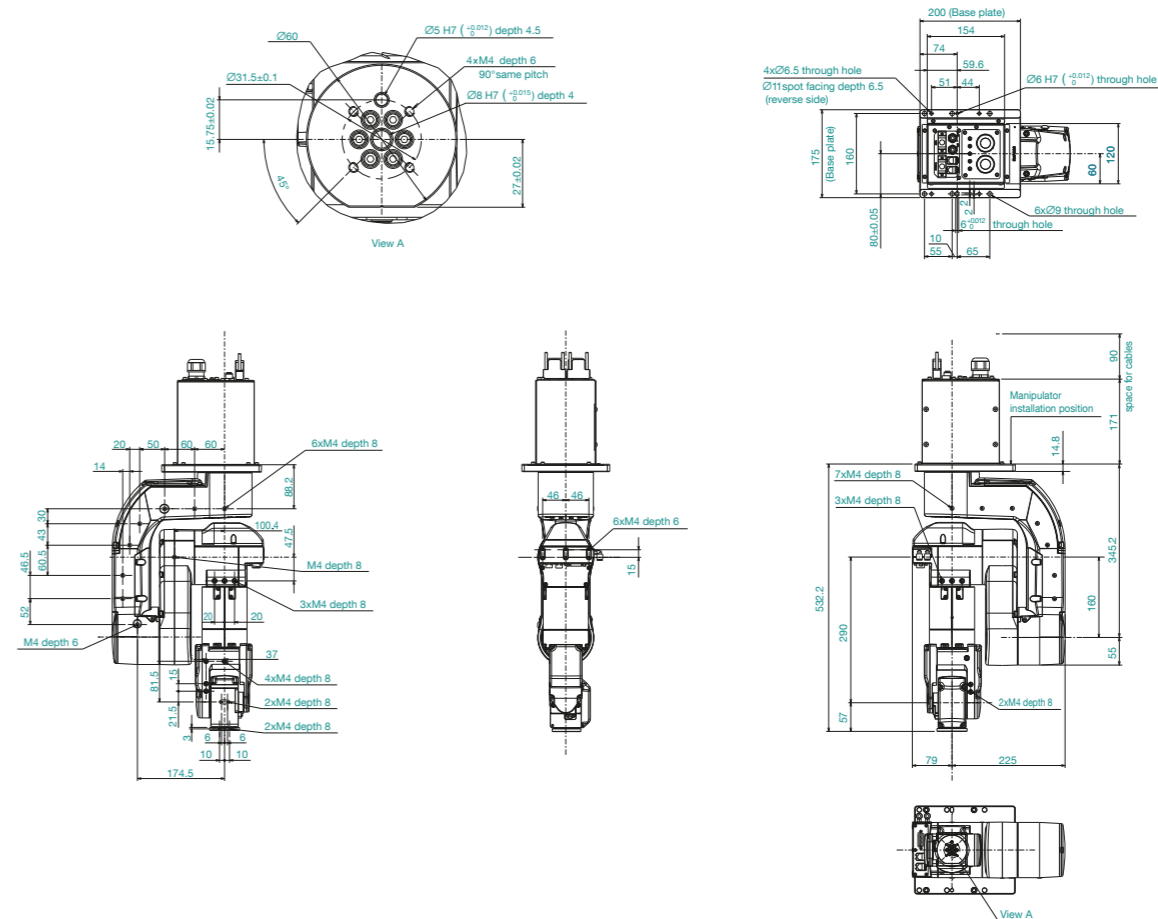


Model Number **N2 - A 45 0 S R**

- Payload: **2** : 2.5kg
- Arm length: **45** : 450mm
- Brake equipment: **0** : Brakes on the Joints #2 to #6
- Mounting type: **T** : Table Top Mounting, **R** : Ceiling Mounting
- Environment: **S** : Standard model

## Outer Dimensions

[Unit: mm]



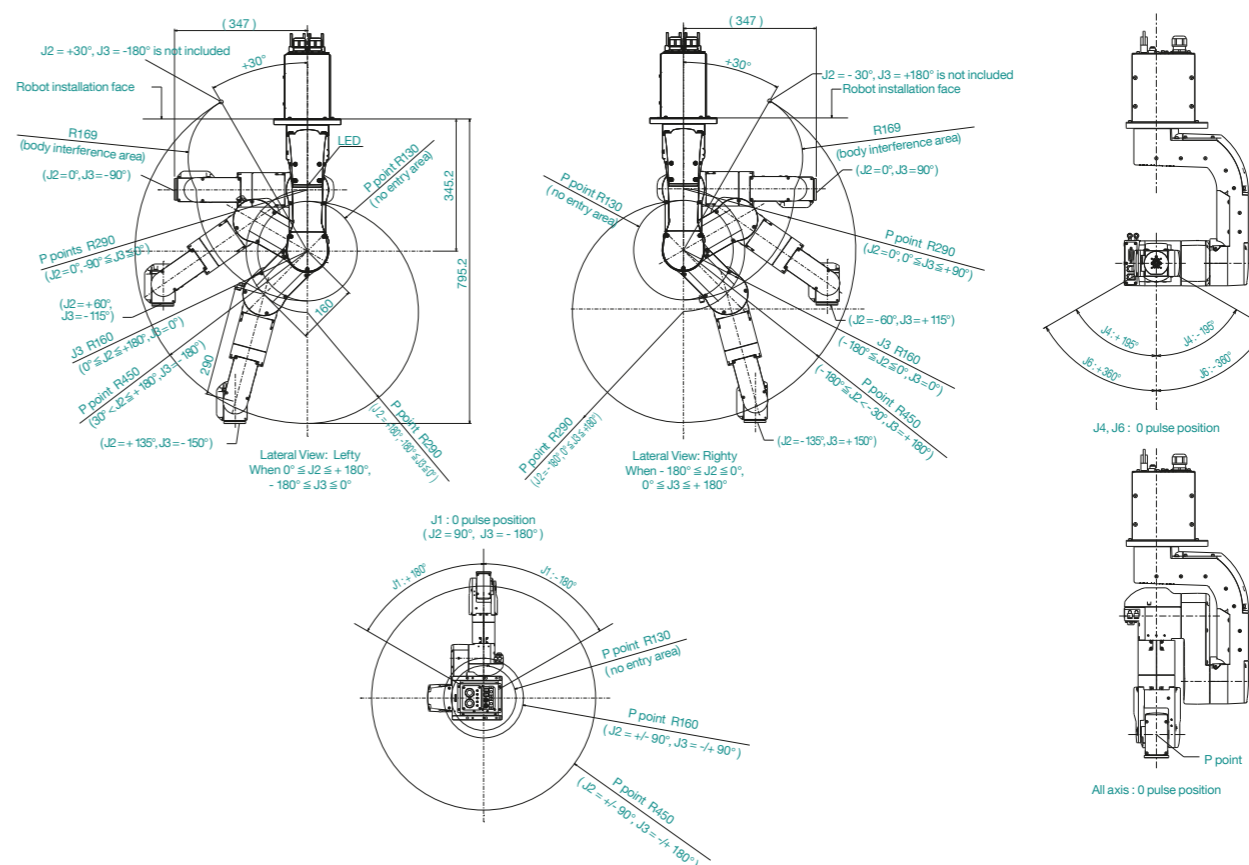
## Specifications

Model name		N2
Model number		N2-A450SR
Max. motion range	P point: through the center of J4/J5/J6	450mm
	Wrist flange surface	532.2mm
Payload**	Rated	1.0kg
	Maximum	2.5kg
Repeatability		±0.02mm
Max. motion range	J1	297 deg/sec
	J2	297 deg/sec
	J3	356 deg/sec
	J4	356 deg/sec
	J5	360 deg/sec
	J6	360 deg/sec
Allowable moment of inertia**	Joint #1-#6	0.2kg·m <sup>2</sup>
	Joint #4	0.2kg·m <sup>2</sup>
	Joint #5	0.08kg·m <sup>2</sup>
Installation environment	Joint #6	Standard
Mounting type		Ceiling / Table top**
Weight (cable not included)		19kg
Applicable Controller		RC-700A
Installed wire for customer use		15 pin (D-sub) 8 pin (RJ45) Cat 5e or equivalent (2 cables) (also used for Force Sensor)
Installed pneumatic tube for customer		Φ6 mm x 2 : 0.59 MPa (6 kgf/cm <sup>2</sup> )
Power		AC200-240 V Single phase
Power Consumption**		0.6 kVA
cable length		3 m / 5 m / 10 m / 15 m / 20 m
Safety standard		CE, KC

\*1: Do not apply the load exceeding the maximum payload.  
 \*2: If the center of gravity is at the center of each arm. If the center of gravity is not at the center of each arm, set the eccentric quantity using INERTIA command.  
 \*3: Robots are set up for ceiling-mount use at shipment. For tabletop use, robots should be programmed using the EPSON RC+ software tabletop-mount settings.  
 \*4: Varies according to operating environment and program.

## Motion Range

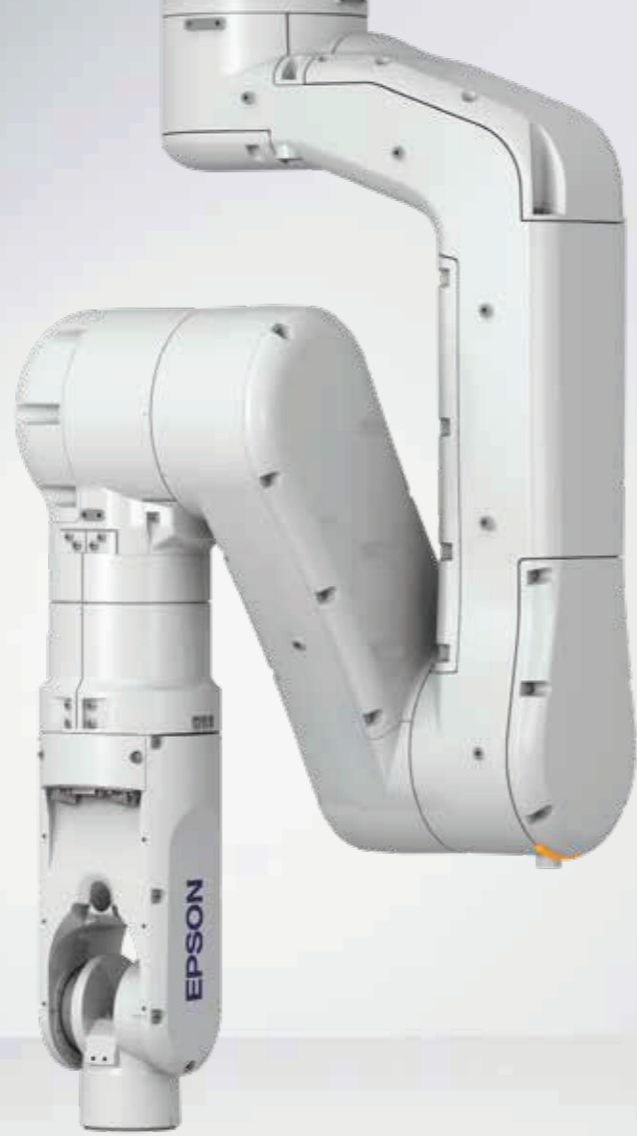
[Unit: mm]



# N6-A850

## Ceiling mounted 6-axis robot with unique folding arm design

- 6-axis flexibility and SCARA-like arch motion enables shortcut access to work-piece from any direction in limited space
- 6kg payload ideal for automotive component handling
- Hollow arm construction for easy cabling setup and teaching



Model Number **N6 - A 85 0**   **R**

- Payload**
  - 6** : 6kg
- Arm length**
  - 85** : 860mm
- Brake equipment**
  - 0** : Brakes on the Joints #2 to #6
- Mounting type**
  - : Table Top Mounting
- Cable exit direction**
  - : Standard (side)
  - B** : Upward
- Environment**
  - S** : Standard
  - C** : Cleanroom & ESD (Anti-static)

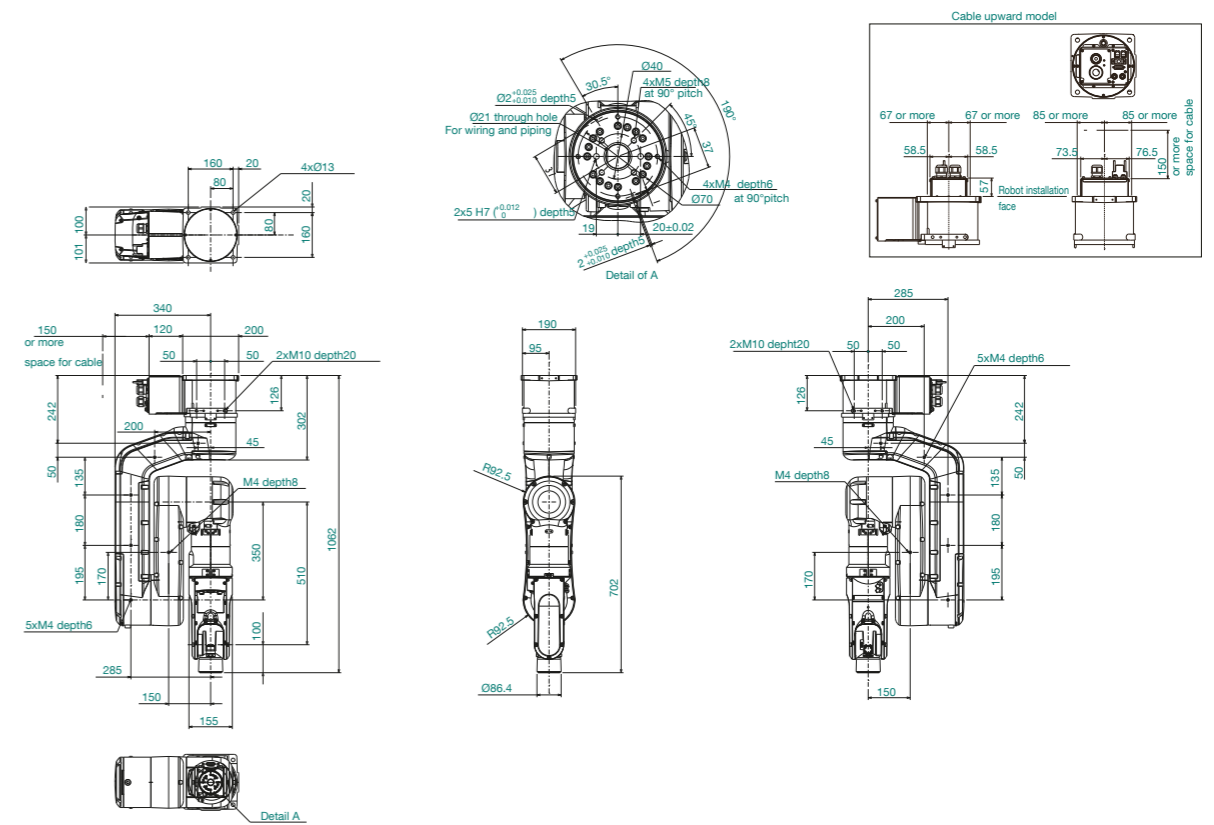
## Specifications

Model name		N6
Model number		N6-A850 <input type="checkbox"/> <input type="checkbox"/> R
Max. motion range	P point:through the center of J4/J5/J6	860 mm
	Wrist flange surface	960 mm
Payload**	Rated	3.0 kg
	Maximum	6.0 kg
Repeatability	Joints #1-#6	±0.03 mm
Max. motion range	J1	326 deg/sec
	J2	326 deg/sec
	J3	444 deg/sec
	J4	444 deg/sec
	J5	450 deg/sec
	J6	537 deg/sec
Allowable moment of inertia**	Joint #4	0.42 kg·m <sup>2</sup>
	Joint #5	0.42 kg·m <sup>2</sup>
	Joint #6	0.14 kg·m <sup>2</sup>
Installation environment	Standard, Cleanroom & ESD**	
Mounting type	Ceiling	
Weight (cable not included)	64 kg	
Applicable Controller	RC700-A	
Installed wire for customer use	D-sub 15 pin, RJ45 8 pin x2 (Cat 5e, for Vision and Force sensor)	
Installed pneumatic tube for customer	Φ6 mm x 2 : 0.59 MPa (6 kgf/cm <sup>2</sup> )	
Power	AC200-240 V Single phase	
Power Consumption**	2.2 kVA	
cable length	3 m/5 m/10 m/15 m/20 m	
Safety standard	CE, KC	

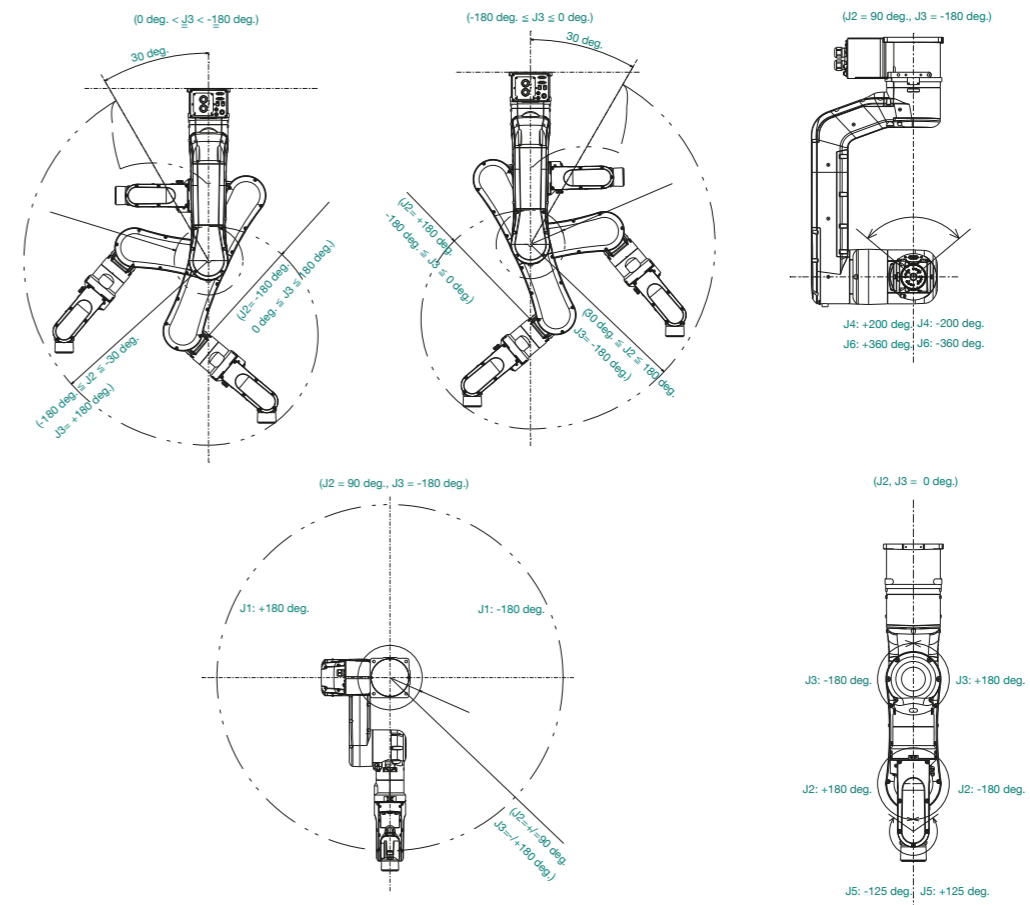
\*1 : Do not apply the load exceeding the maximum payload.  
 \*2 : If the center of gravity is at the center of each arm. If center of gravity is not at the center of each arm, set the eccentric quantity using INERTIA command.  
 \*3 : Complies with ISO Class 5 (ISO14644-1) and older Class 1 cleanroom standards.  
 \*4 : Varies according to operating environment and program.

## Outer Dimensions

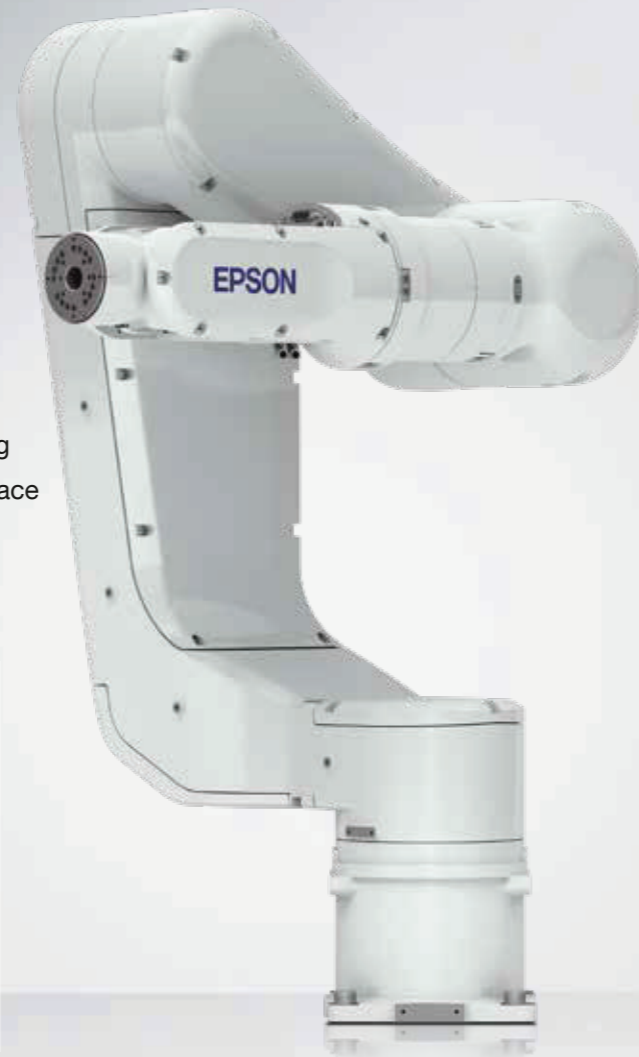
[単位: mm]



## Motion Range



# N6-A1000



## Original folding arm mechanism reduces 6-axis robot installation space requirements

- High space utilization efficiency
  - Extended reach for tall workpieces and high shelving
  - Folding arm design enables installation in limited space
- Hollow arm construction for easy cabling setup

**Model Number** N6 - A 100 0 □ □ □

**Payload**  
 □ 6 : 6kg

**Arm length**  
 □ 100 : 1010mm

**Brake equipment**  
 □ 0 : Brakes on the Joints #2 to #6

**Mounting type**  
 □ : Table Top Mounting  
 R : Ceiling Mounting

**Cable exit direction**  
 □ : Standard (side)  
 B : Upward/downward

**Environment**  
 S : Standard  
 C : Cleanroom & ESD (Anti-static)

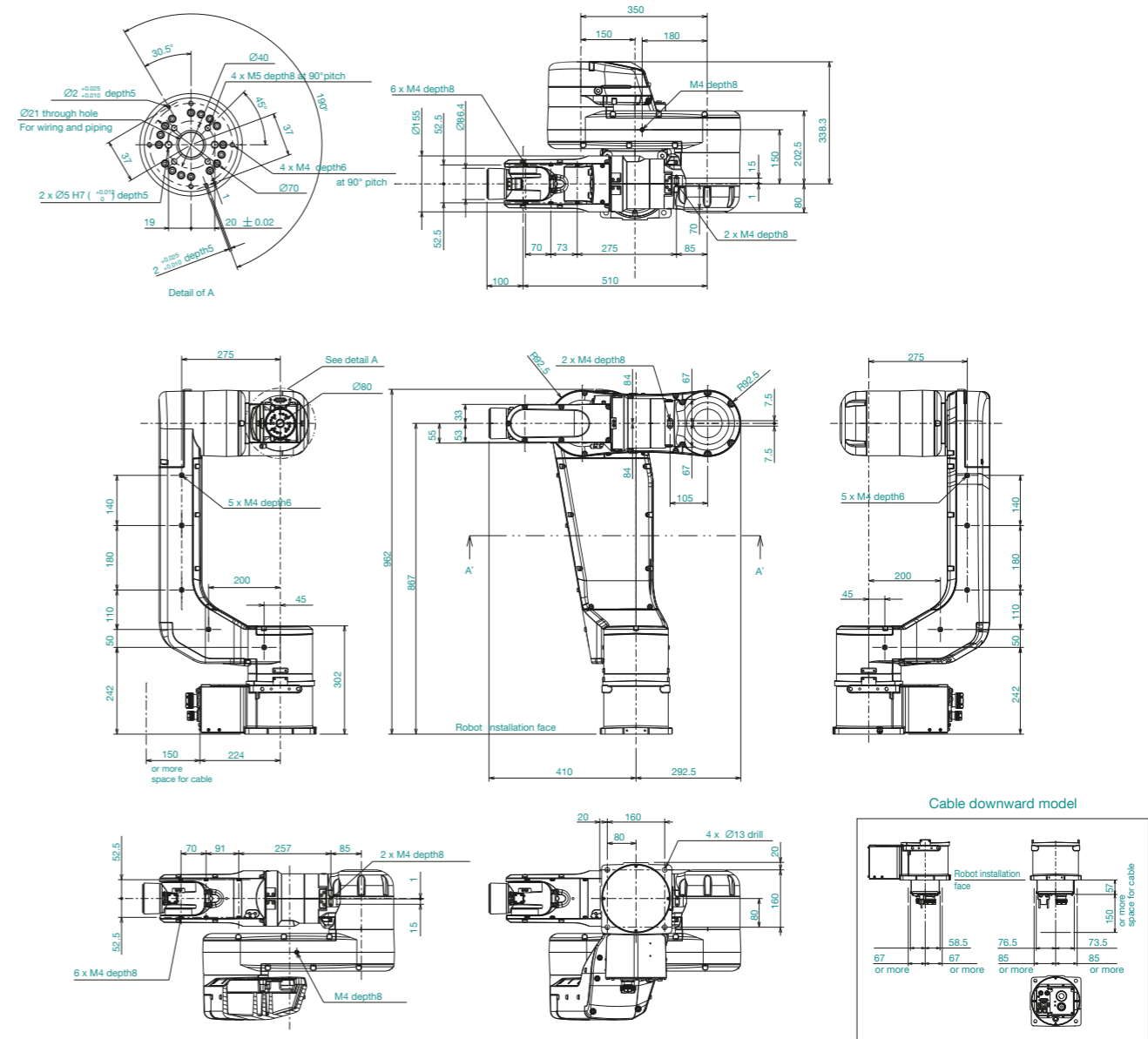
## Specifications

Model name		N6
Model number		N6-A1000□□□
Max. motion range	P point: through the center of J4/J5/J6	1010 mm
	Wrist flange surface	1110 mm
Payload**	Rated	3.0kg
	Maximum	6.0kg
Repeatability	Joints #1-#6	±0.04mm
Max. motion range	J1	326 deg/sec
	J2	326 deg/sec
	J3	444 deg/sec
	J4	444 deg/sec
	J5	450 deg/sec
	J6	537 deg/sec
Allowable moment of inertia**	Joint #4	0.42kg·m <sup>2</sup>
	Joint #5	0.42kg·m <sup>2</sup>
	Joint #6	0.14kg·m <sup>2</sup>
Installation environment	Standard, Cleanroom** & ESD	
Mounting type	Table top / Ceiling **	
Weight (cable not included)	69 kg	
Applicable Controller	RC-700A	
Installed wire for customer use	D-sub 15 pin, RJ45 8 pin x 2 (Cat 5e, for Vision and Force sensor)	
Installed pneumatic tube for customer	Ø6 mm x 2 : 0.59 MPa (6 kgf/cm <sup>2</sup> )	
Power	AC200-240 V Single phase	
Power Consumption**	2.2 kVA	
cable length	3 m/5 m/10 m/15 m/20 m	
Safety standard	CE, KC	

\*1 : Do not apply the load exceeding the maximum payload.  
 \*2 : If the center of gravity is at the center of each arm. If the center of gravity is not at the center of each arm, set the eccentric quantity using INERTIA command.  
 \*3 : Complies with ISO Class 5 (ISO14644-1) and older Class 1 cleanroom standards.  
 \*4 : Ceiling-mounted robots should be programmed using the EPSON RC+ software ceiling-mount settings.  
 \*5 : Varies according to operating environment and program.

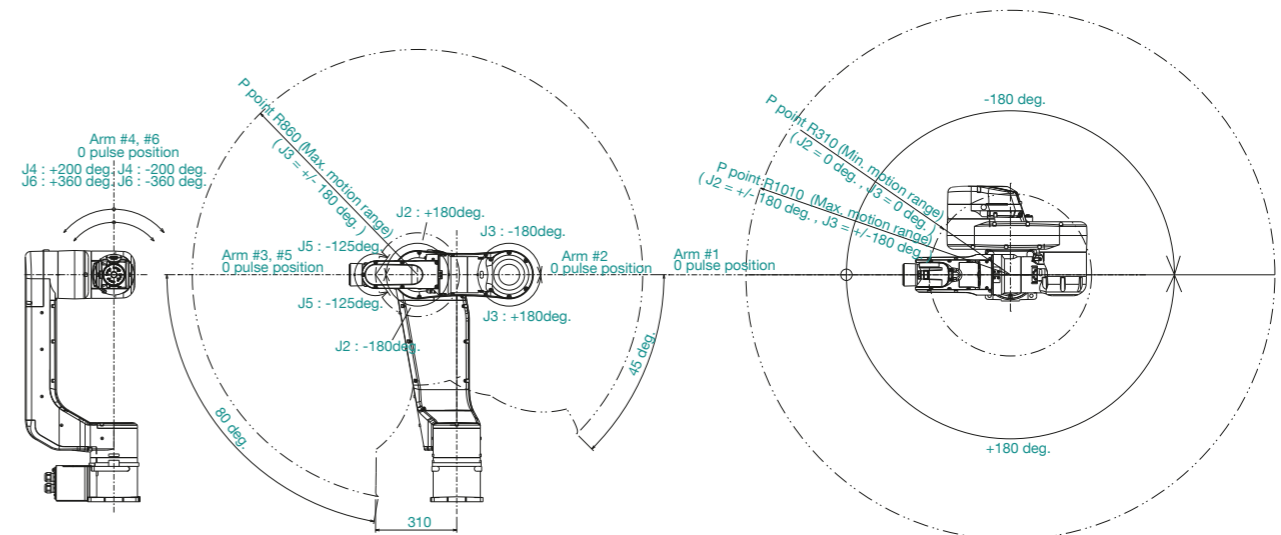
## Outer Dimensions

[Unit: mm]



## Motion Range

[Unit: mm]



# VT6L

**Simple setup and high cost-performance for easy and affordable automation**

- Space-saving design with built-in controller
- 6-axis versatility without complicated setup
- 100V~240V power source compatibility
- Hollow wrist construction for internal cabling
- Batteryless motor unit for reduced maintenance



**Model Number** VT6 - A 90 1 □ □

**Payload**  
 □ 6 : 6kg

**Arm length**  
 □ 90 : 920mm

**Brake equipment**  
 □ 1 : Brakes on all joints

**Mounting type**  
 □ : Table Top Mounting  
 R : Ceiling Mounting  
 W : Wall Mounting

**Environment**  
 S : Standard model  
 C : Cleanroom model  
 P : Protection model (IP67)

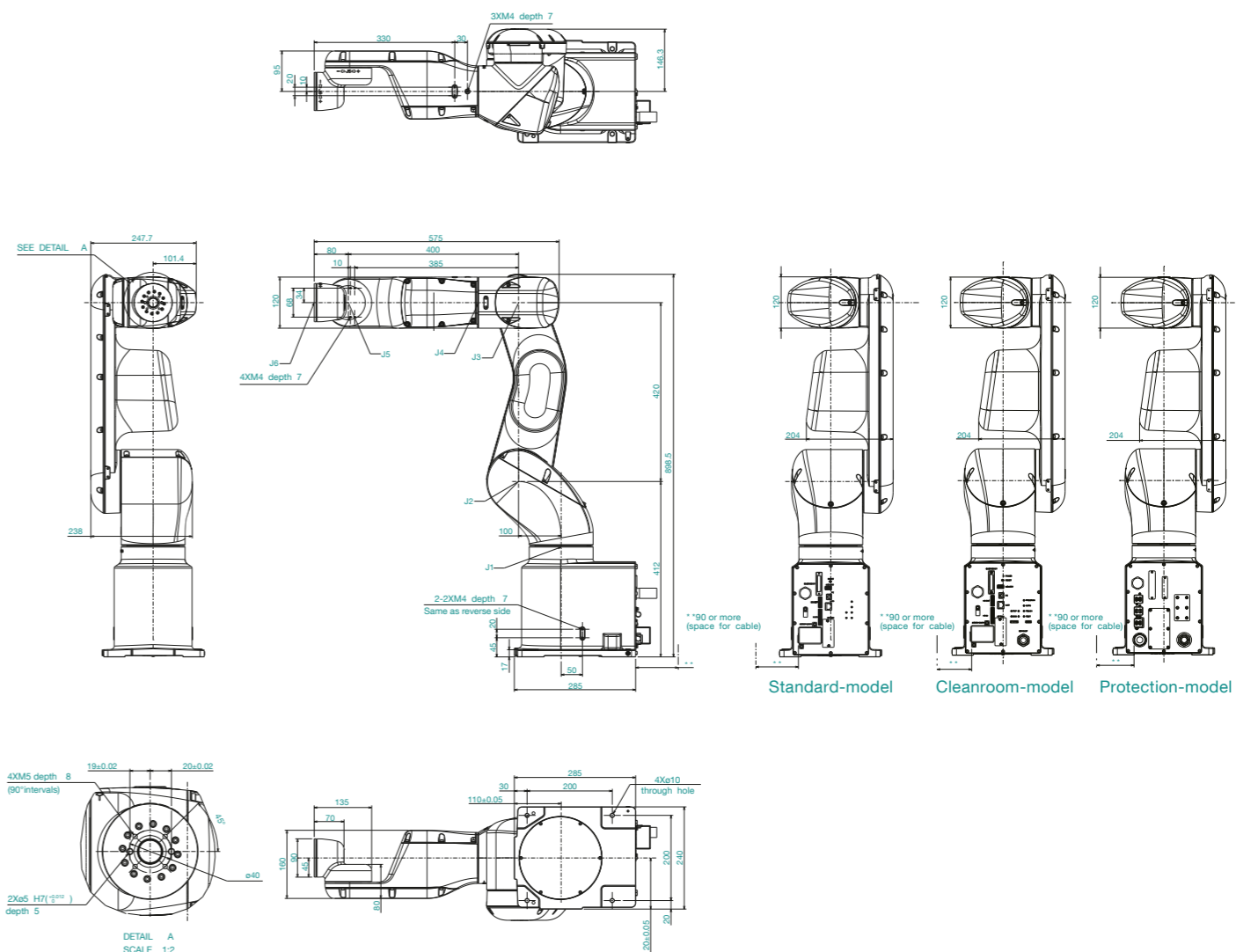
## Specifications

Model name		VT6L
Model number		VT6-A901□□
Payload (Load)**	Rated	3 kg
	Max.	6 kg
Max. reach	P point :Joint#1-5 center	920 mm
	Joint#1-5 flange surface	1000 mm
Repeatability	Joint#1-6	± 0.1 mm
Max. motion range*2	J1	166.2 deg/sec
	J2	122.5 deg/sec
	J3	141.2 deg/sec
	J4	Standard, Cleanroom 268.7 deg / sec, Protection-model 188.1 deg/sec
	J5	296.8 deg/sec
	J6	293.2 deg/sec
Allowable moment of inertia*3	Joint#4	0.3 kg-m <sup>2</sup>
	Joint#5	0.3 kg-m <sup>2</sup>
	Joint#6	0.1 kg-m <sup>2</sup>
Mounting type*4	Table top / Ceiling / Wall mount	
Environment spec	Standard, Cleanroom*5 / Protection-model (IP67)	
Weight (cables not included)	40 kg	
Applicable Controller	Built-in controller	
Installed wire for customer use	None (External Wiring Option available)	
Installed pneumatic tube for customer use	None (External Wiring Option available)	
Power	AC100-240 V single phase	
Power Consumption*6	1.2 kVA	
Cable length	5 m	
I/O	Standard I/O	In 24, Out 16 (Non polarity)
	Remote I/O	In 8, Out 8 (Remote function assigned to standard I/O)
Safety standard	CE, KC*7	

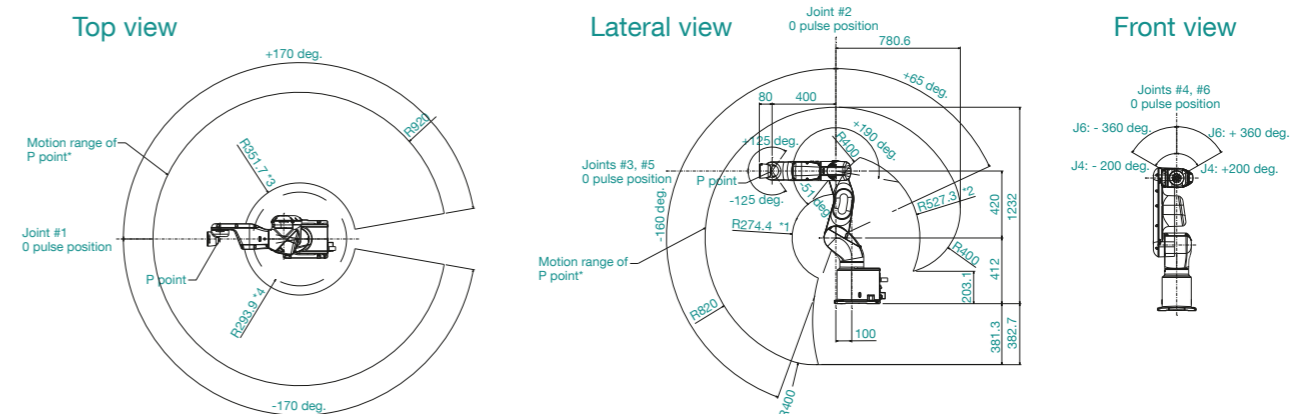
\*1 : Do not apply the load exceeding the maximum payload.  
 \*2 : In case of PTP control.  
 \*3 : If the center of gravity is at the center of each arm. If the center of gravity is not at the center of each arm, set the eccentric quantity using INERTIA command.  
 \*4 : Manipulators are set to "Table Top mounting" at shipment. To use the manipulators by other installation coordination, need to change the model settings on RC+ software. (Clean room & Protection models require table top mounting)  
 \*5 : Complies with ISO Class 5 (ISO14644-1) and older Class 1 cleanroom standards.  
 \*6 : It depends on operating environment and operation program.  
 \*7 : Scheduled to be acquired in March 2020

## Outer Dimensions (Table Top Mounting)

[Unit: mm]



## Motion Range (Table Top Mounting)



## 01 RC700-A multi-function controller

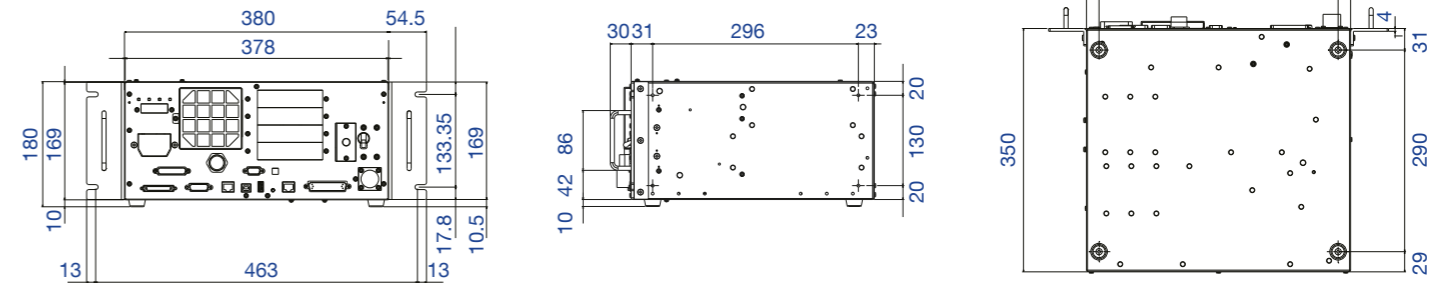
- USB connectivity; easy setup
- Drive units can be added for multi-robot control

### RC700-A software/Manipulator support

Software		EPSON RC+7.0	
Manipulator	SCARA robots	G series	●
		LS series	-
		RS series	●
	6-axis robots	T series	-
		C series	●
		N series	●
	VT series	-	



### Outer Dimensions [Unit: mm]



## 01 RC700-D dedicated GX series controller

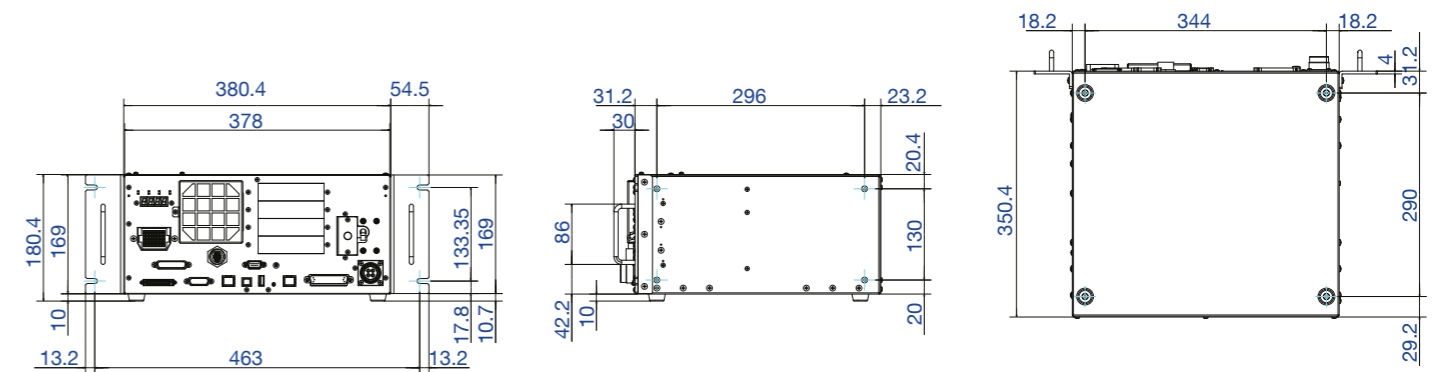
- USB connectivity; easy setup
- Drive units can be added for multi-robot control

### RC700-D supported manipulator

Manipulator			
Manipulator	SCARA robots	G series	-
		GX series	●
		LS series	-
	6-axis robots	RS series	-
		T series	-
		C series	-
	N series	-	
	VT series	-	



### Outer Dimensions [Unit: mm]



01 **RC90-B** dedicated LS series controller

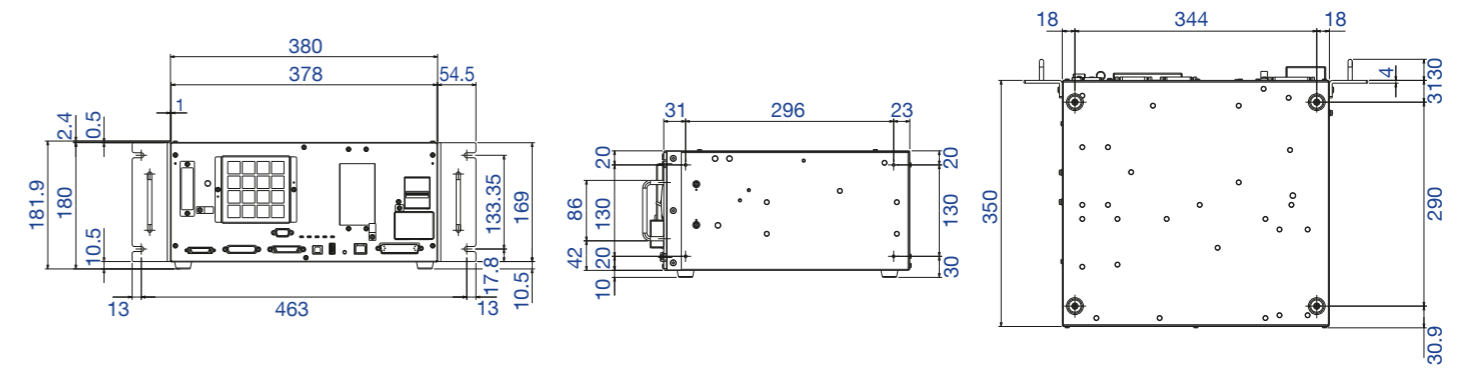
■ USB connectivity; easy setup

RC90-B software/Manipulator support

Software		EPSON RC+7.0	
Manipulator	SCARA robots	G series	-
		LS series	●
		RS series	-
	6-axis robots	T series	-
		C series	-
		N series	-
		VT series	-



■ Outer Dimensions [Unit: mm]



01 **RC700DU-A** controller for multi-effector control

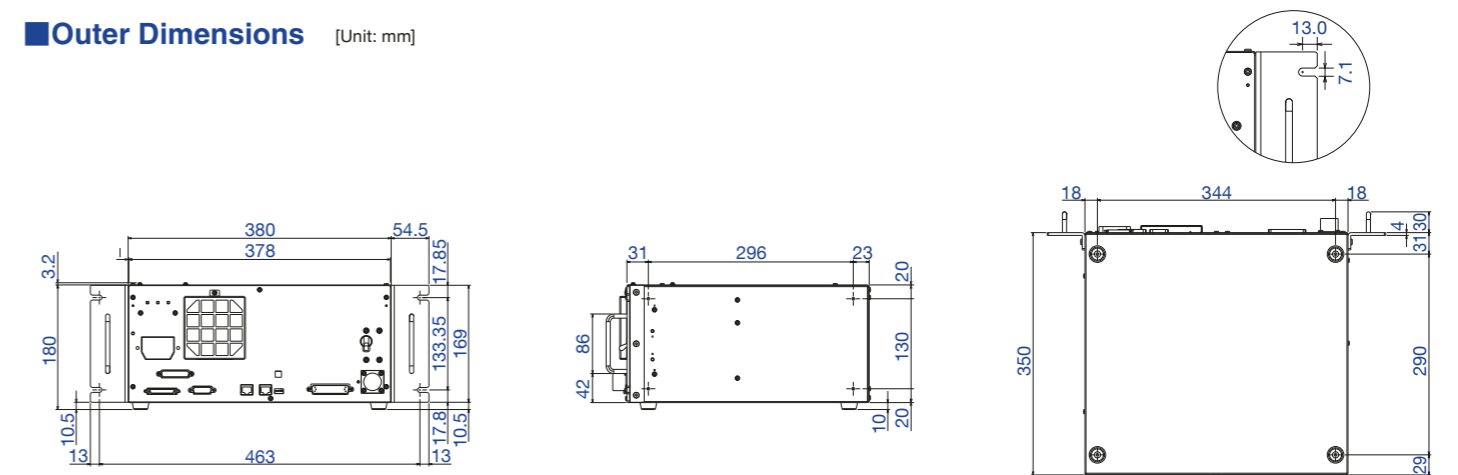
■ Can be connected to RC700-A controllers for multi-robot control.

RC700DU-A software/Manipulator support

Manipulator	SCARA robots	G series	●
		LS series	-
		RS series	●
	6-axis robots	T series	-
		C series	●
		N series	●
		VT series	-



■ Outer Dimensions [Unit: mm]





Specifications

	RC700-A	RC90-B	Drive units RC700DU-A
Controllable axes			
	Max. 6 AC servo motors	Max. 4 AC servo motors	Max. 6 AC servo motors
Robot manipulator control			
Programming language and Robot control software	EPSON RC+7.0		
Joint control	Max. 6 axes simultaneous	Max. 4 axes simultaneous	Max. 6 axes simultaneous
	Software AC servo control		
Speed control	PTP control: 1-100% / CP control: real speed setting		
Speed control	PTP control: 1-100% (auto acceleration) / CP control: real speed setting		
Positioning control			
	PTP (Point-To-Point control) CP (Continuous Path control)		
Memory capacity			
	Max. object size: 4 MB Point data area: 1000 points/file Backup variable area: Max. 100 KB (incl. control table) Approx. 1,000 variables are available. The number varies depending on the size of array variables		—
External input/output signals (standard)			
Standard I/O		Input: 24 Output: 16	
Communication interface (standard)			
Ethernet	1 channel		—
RS-232C	1 port		—
Safety features			
	Emergency stop switch / Low power mode / Motor overload detection / Motor speed error detection / CPU irregularity detection / Overheat detection / Fan error detection / Over-voltage detection / Temperature error detection / Safety door input / Dynamic brake / Irregular motor torque detection / Positioning overflow detection / Speed overflow detection / Memory check-sum error detection / Relay welding detection / AC power supply voltage reduction detection		
Power source			
	AC200-240 V Single phase 50/60 Hz		
Weight (max.)*1			
	11 kg	7.5 kg or 10 kg (depending on effector in use)	9 kg
Mounting method			
	horizontal, vertical, rack mount, wall mount (option)	horizontal, vertical, rack mount	horizontal, vertical, rack mount, wall mount (option)

\*1: Weight of the unit is indicated on the Controller. Make sure to check the weight of the unit before transferring or relocating it, so that you do not strain your back when holding it. Also, make sure to keep your hands, fingers, and feet safe from being caught or serious injury.  
\*2: Including RS series.

EPSON RC+ software makes it easy to develop control programs for setup, operation, and regular maintenance. With an easy-to-understand graphic user interface, it helps you achieve maximum productivity with minimum programming overhead.

EPSON RC+

For all-in-one management of program development, teaching, machine vision, force-sensing, simulation, and the graphic user interface.

EPSON RC+ 7.0 functions

Robot programming functions

- SPEL+ language
- Approach check area / Approach check plane
- Pallet handling
- Payload and effector eccentricity
- High-speed, high-precision 3D path accuracy
- Multitasking
- Positioning completion timing
- Arch motion
- Parallel processing
- Singularity point avoidance
- Remote control expansion I/O
- Operating speed and acceleration settings

Simple teaching functions

- Jog & teach / Tool settings
- Local coordinate settings

Maintenance and management functions

- Consumables management
- Controller settings backup

Simulator functions

- Layout review / interference checking
- Programming/debugging functions, etc.

Options

- Software options
  - RC+ API 7.0
  - GUI Builder
  - ECP
  - VRT
- Force-sensing systems / GUI
  - Force Guide
- Image processing systems / GUI
  - Vision Guide
  - Catch-On-Fly
  - OCR

SPEL+ language

Easy-to-learn SPEL+ programming is similar to BASIC, and provides full support for multitasking, motion control, I/O control, and a wide range of other functions.

Example program

```

Function main
Motor On      Example program
Power High   Set power mode to High
Speed 100    Set speed to 100%
Accel 100, 100 Set acceleration speed to 100%

If Sw(0) = On Then Is I/O input bit 0 On?
  Jump P0      Move robot arm to Point 0
Else
  Jump P1      Move robot arm to Point 1
EndIf
Fend
    
```

Jog & teach

All teaching commands are accessible from a single window for efficient programming.



Tool settings

The offset from the rotational axis to the effector tip can be preset to move the toolhead to a specified point without complex programming.



Local coordinate settings

A local coordinate system can be defined relative to the base coordinate system, enabling you to define workspaces based on angled coordinate systems or CAD point data.



### Approach check area / Approach check plane settings

Enables you to check effector approach within an arbitrarily defined area or plane to prevent interference with other robots or peripheral equipment, and to restore effector position after an error occurs.



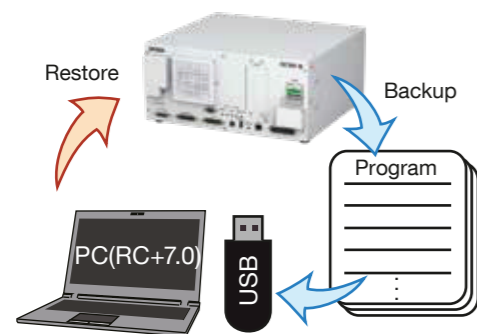
### Consumables management

Enables you to set recommended maintenance alarms based on operating time or distance for batteries, grease, timing belts motors, brakes, and ball screw splines.



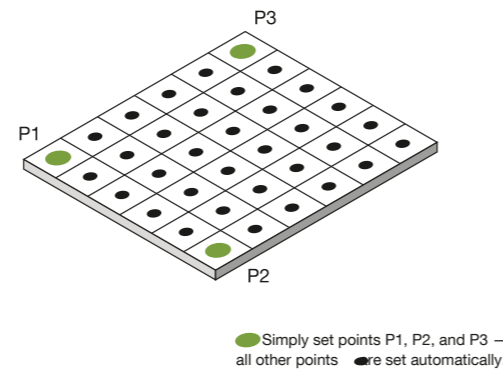
### Controller settings backup

Controller settings and programs can be backed up to a PC or USB memory to facilitate offline analysis and enable quick restoration when needed.



### Easy alignment with palletized parts

If parts are arranged in a square layout, spaced at regular intervals, the PALLET command can be used to quickly and precisely position the end effector.

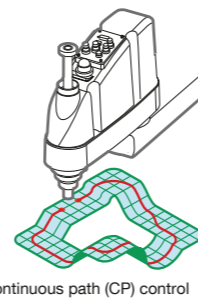


### High repeatability with varying payloads and effector orientation

Once the operator has set workpiece and effector weight, weight range, and effector orientation, acceleration is automatically adjusted to reduce residual vibration and ensure high repeatability.

### High-speed, high-precision, 3D continuous path control

All Epson robot systems offer the fast, precise, three-dimensional continuous path (CP) control needed for high-productivity coating and sealant application processes. Advanced linear interpolation, arch interpolation, and free curve motion enable precise effector control, and simple PASS commands can be used to evade obstacles within the workcell space. Programmed paths can reference either a tool-centered control point or an external control point.

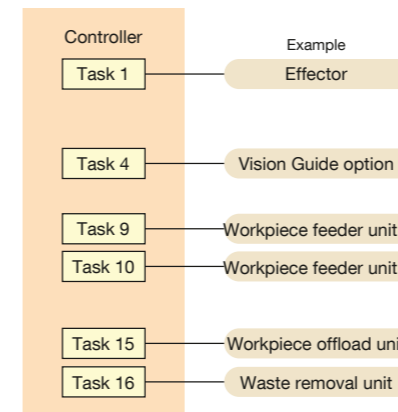


### Positioning completion time control for maximum efficiency

A time limit can be set for the completion of effector positioning to enable the next instruction to be executed even if the target point has not been reached. This allows you to maximize your yield by prioritizing takt (cycle) time over precision, or vice versa, according to the nature of the work to be done.

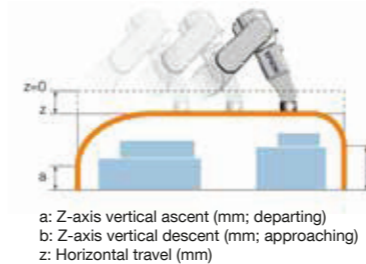
### Multitasking function

With Epson's programming language, even complex multitask processes can be automated with ease. Up to 32 individual tasks can be seamlessly executed and controlled by a single program. Vision Guide machine vision, and pulse generator control of peripheral equipment can all be utilized to achieve full process automation.



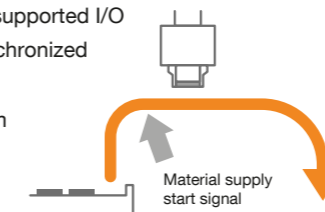
### 3D jump with variable arch for ultra-precise short-distance movement

EPSON SCARA and ProSix robots all support JUMP command movements in three-dimensional space, and the arch described by the approaching and departing effector can be set to suit the work environment. Deceleration/acceleration of the approaching or departing head can be regulated without interrupting operation, ensuring smooth, precise, short-distance motion that helps improve takt time and product quality stability.



### Parallel processing for higher speed and efficiency

Parallel processing enables you to control peripheral devices while the robot arm is in motion. Commands can be sent via RS-232C or any other supported I/O interface to ensure synchronized control of multi-device processes for maximum throughput efficiency.



### Configuration singularity avoidance function

Continuous path operations that contain robot arm configuration singularities can cause joint-speed overrun. If the arm approaches such a configuration, the singularity avoidance function prevents overrun errors by maintaining joint speed until the arm has moved past the point of singularity.



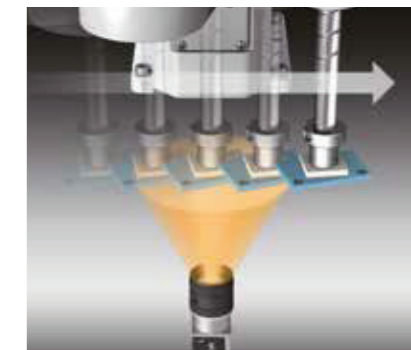
### Remote control expansion I/O

Using the remote control expansion I/O, the robot can be controlled simply by entering I/O commands — there's no need for complex program development.

### On-the-fly pickup

Workpiece pickup, alignment, and kitting can be carried out on-the-fly without pausing robot movement. Combined with an imaging system, it makes an ideal solution for high-speed alignment and handling of randomly arranged workpieces.

\* RC700 and RC620 controllers only.



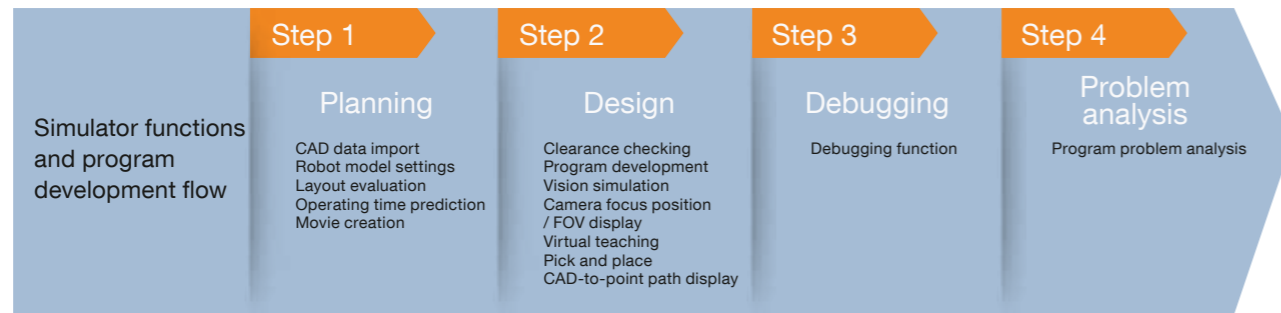
### Operating speed and acceleration/deceleration settings

Operating speed and acceleration/deceleration of the arm can be set in 100 steps.

- PTP motion** Maximum point-to-point speed is set as a percentage relative to the maximum acceleration speed. Ascent and descent speeds can also be set.
- CP motion** For continuous path motion, maximum effector speed and acceleration/deceleration speed can be set in mm/sec<sup>2</sup> increments.

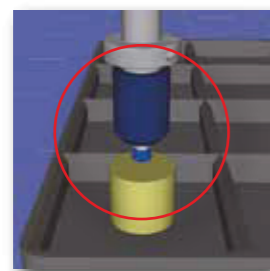
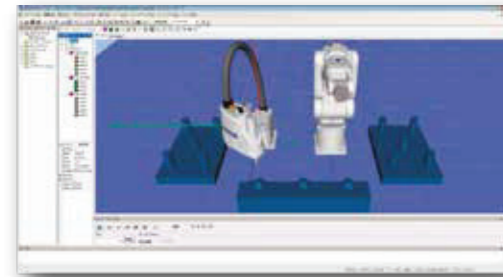
## Simulator

The simulator displays a 3D view of the robot that enables you to thoroughly test programs and confirm robot motion and operating clearances in a virtual environment before putting them into use on the factory floor.



### Layout evaluation

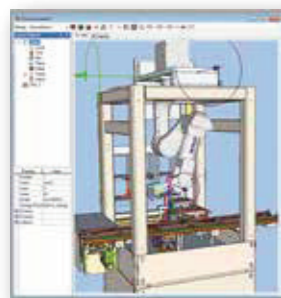
3D simulation of robot operation enables you to determine workcell space requirements and necessary clearances.



Enlarged view of effector

### CAD data import

CAD data points for peripheral equipment and the effector can be imported directly to the simulator.



Supported CAD data formats for 3D display

- VRML 2.0  
Limitations: VRML 2.0 prototypes are not supported.
- STEP (AP203/AP214)  
Limitations: Only ASCII code files are supported. Face colors can be displayed only when specified in the imported data.
- IGES
- DXF  
AutoCAD® DXF formats (DXF R13, DXF R14, DXF 2000/2000i, DXF 2002)

### Robot model settings

Workcell layout are easy because 3D data is built into the software.



### Robot operating time prediction

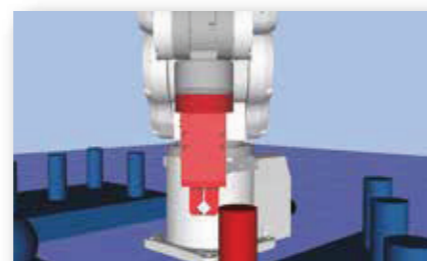
Robot operating time can be predicted based on motion speed and acceleration settings.

### Still image / movie creation

Simulation results can be displayed as movies or still images that can be used as tools for evaluation, debugging, and information sharing.

### Clearance checking

Clearances can be checked to ensure that the effector and arm do not interfere with the robot body or nearby equipment.

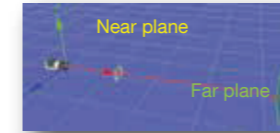


Clearance checking

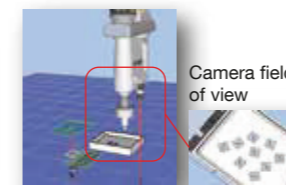
### Program development

Programs can be written in SPEL+ and executed within the simulator.

### Camera and field of view positioning



The simulator displays the position and angle of view for the selected camera and lens, making it easy to check camera positioning.

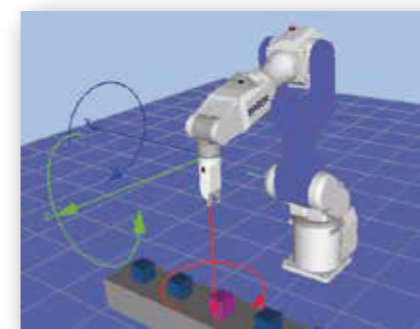


An image of the camera's field of view can also be displayed to facilitate positioning of workpieces and nearby equipment.

\*Please note that live camera image display and Vision Guide connectivity are not supported, and displayed images cannot be image processed.

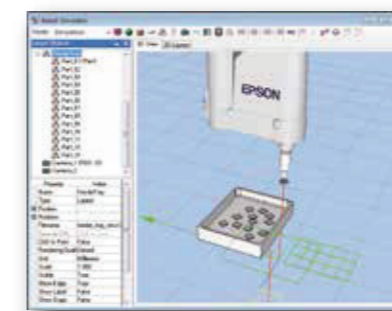
### Virtual teaching

Teaching can be carried out within the simulator by positioning the robot with CAD data.



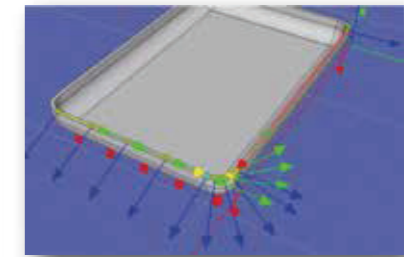
### Pick and place

Pick and place program CAD data can be evaluated in the simulator to ensure nearby equipment does not interfere with arm movement.



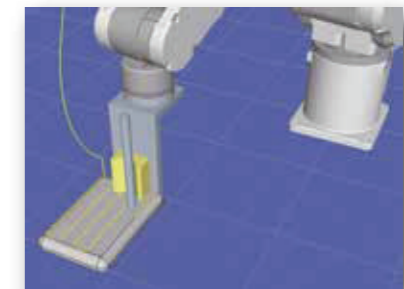
### CAD-to-Point teaching

Teaching points can be set using imported CAD data.



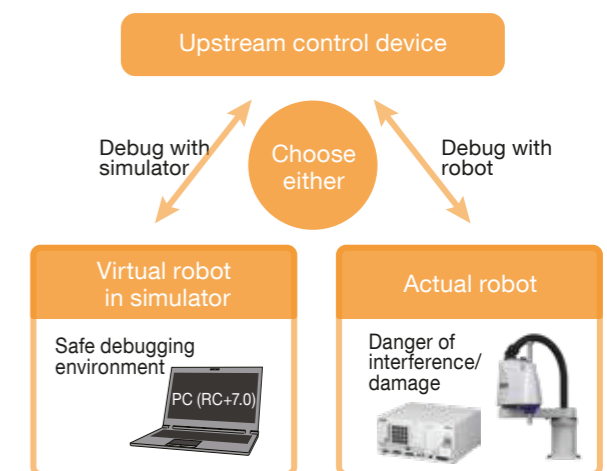
### Path display

Robot motion paths can be displayed to confirm teaching points and programs.



### Debugging function

Programs can be run within the simulator, allowing full debugging without a robot. Virtual I/O control can be effected by entering values from a PC via RS-232C or TCP/IP.



### Program problem analysis

Saved robot position data can be imported into the simulator to enable problem analysis and program revision.

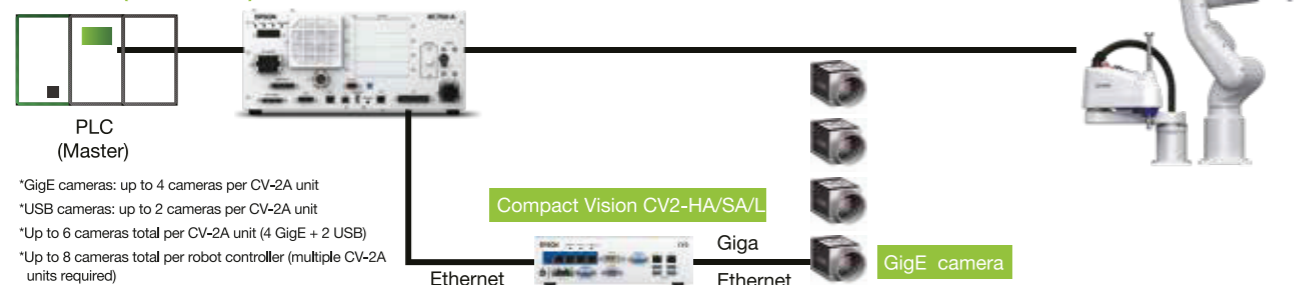
## 02 Vision Guide

Get advanced machine vision and image processing systems up and running fast with easy-to-use Epson Vision Guide software

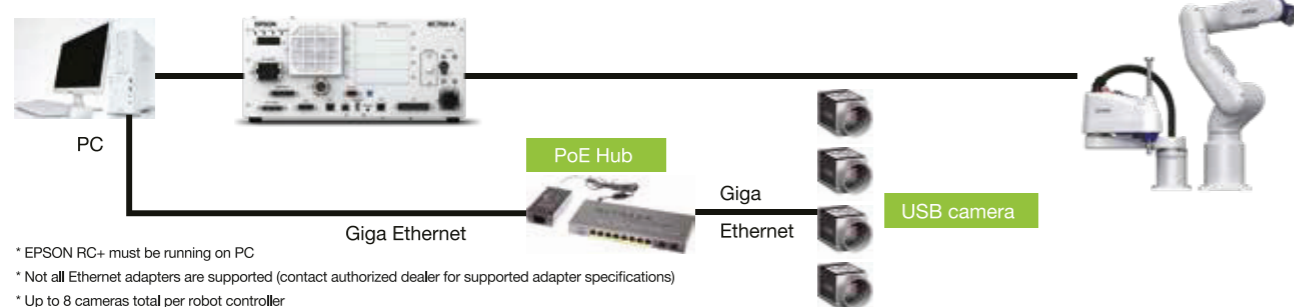
- Built-in image processing engine assists vision-to-robot calibration, making it easy to align the robot's coordinate system with the camera's field of view.
- Workpiece position can be determined relative to robot coordinates without complex calculations.
- Image processing sequences can be created simply by entering a few parameters and pointing and clicking with a mouse.
- Advanced pattern matching and geometric search tools enable easy solution program development without writing a single line of code.

### System configuration examples

#### CV-2A(HA, SA), L



#### PV1



### Features

#### Convenience

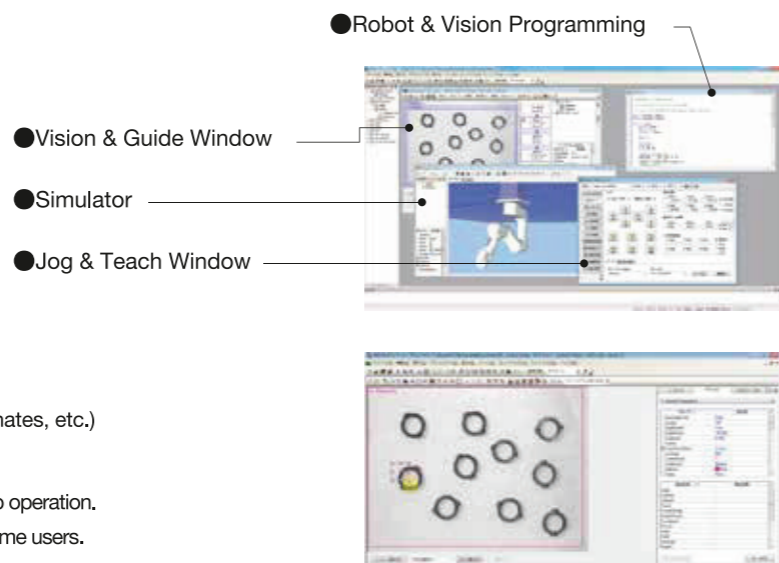
EPSON RC+ software can be used for both robot and machine vision program development.

- Other machine vision systems are more complicated to set up because different software must be used for machine vision and robot program development.

#### Ease of use

Easy registration of vision objects (positioning coordinates, etc.) enables rapid system setup and deployment.

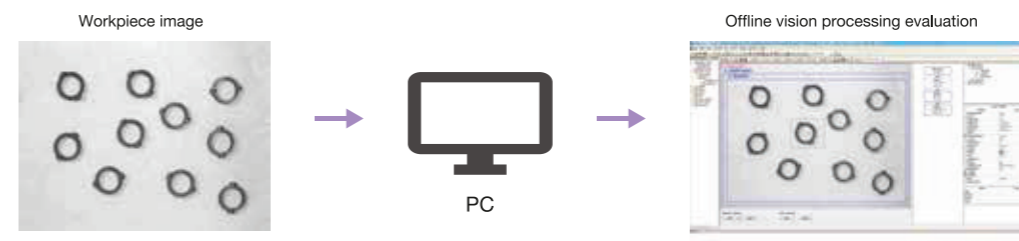
- Vision objects can be registered via simple drag & drop operation.
- Intuitive interface makes operation easy even for first-time users.



#### Vision simulation

Epson Vision software includes a simulator that lets you visualize robot operation and workflow before equipment is actually installed. This makes it easy to plan and configure the system for maximum productivity, and allow program development to proceed while the system is being constructed.

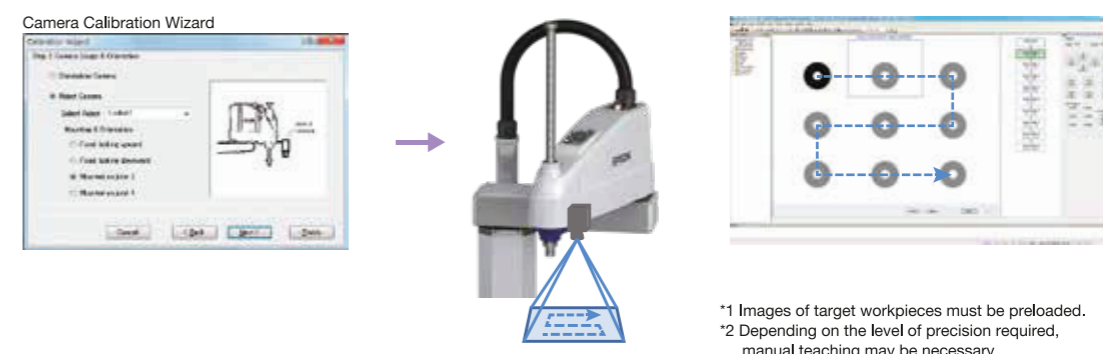
- Vision and process sequencing can be prepared in advance, before system is installed.
- Programs that include image processing sequences can be tested off line.
- If workpiece images are available, image processing can be tested off line.



#### Easy calibration

A built-in image processing engine makes it easy to align the camera's field of view with the robot's coordinate system, eliminating the need for complex programming when performing vision-to-robot calibration.

The robot automatically\*1 follows the steps in the Calibration Wizard to complete the calibration.\*2



#### One-stop service

Whether you need help with initial setup or active production lines, Epson gives you one-stop service convenience for both robot and machine vision systems. With only one service call instead of two to coordinate, your production line will be back up and running in no time.

CV2 series			
Item	CV2-L	CV2-SA	CV2-HA
Image processing speed	Entry	Standard	High speed
Connected cameras	up to 4 GigE cameras and 2 USB cameras (6 cameras total per CV2 unit) (all cameras must be compatible with Vision Guide)		
Interface	Ethernet (for robot controller: 2 RJ45 selectable ports [10 / 100 / 1000 Mbps]) (for GigE cameras: 4 RJ45 selectable ports [1000 Mbps])		
Dimensions (mm)	232 (W) x 175 (D) x 70 (H) (excluding rubber feet)		
Operating environment	5-40°C, 20-80%RH (no condensation)		
Installation direction	horizontal or vertical		
Voltage	DC 19-24 V		
Current	11.57 A (at DC 19 V) - 9.16 A (at 24 V)		
Weight	2.1 kg		


GigE cameras					
Camera resolution	1.3 megapixels	2 megapixels	5 megapixels	10 megapixels	20 megapixels
Vision Guide resolution	1280 x 1080	1600 x 1200	2560 x 1920	3664 x 2748	5472 x 3648
B&W / Color	B&W	B&W / Color	B&W / Color	B&W / Color	B&W / Color
Dimensions (mm)	housing dimensions: 29 x 29 x 42 (total dimensions: 29 x 29 x 60.3)				
Weight	90 g (excluding lens)				
Ambient temperature	0-40°C (external surface temperature below 50°C)				
Ambient humidity	20-80% (no condensation)				
Lens mount	C mount				
Interface	PoE (Power Over Ethernet)				
Camera cable length	5 m / 10 m				

Camera performance by CV2 system				
Item	Resolution	CV2-L	CV2-HA, CV2-SA	PV1
GigE cameras	1.3 megapixels		B&W	
	2 megapixels		B&W / Color	
	5 megapixels		B&W / Color <sup>1</sup>	
	10 megapixels	-		B&W / Color <sup>1</sup>
	20 megapixels <sup>2</sup>	-		B&W / Color

<sup>1</sup>: CV2-L 5M camera supports rolling shutter only (no global shutter)  
<sup>2</sup>: Requires RC+ 7.4.5 or later and CV2 firmware 3.1.1.0 or later  
<sup>3</sup>: 10M color imaging requires RC+ 7.4.4 or later and CV2 firmware 3.1.0.5 or later

Megapixel lenses																		
Item	Megapixel lenses					Megapixel lenses (HF)					1-inch lenses							
Focal length (mm)	8	12	16	25	50	8	12	16	25	35	8	12	16	25	35	50		
Minimum focus distance (mm)	0.1	0.15	0.3	0.5		0.1			0.2	0.2				0.3		0.5		
Mass (g)	62.6	61.9	60	71.2	85	95	85	90	85	164.8	102.8	94.4	78.6	103.0	107.0			
Filter diameter (mm)	M30.5 x P0.5					M30.5 x P0.5					-	M40.5 x P0.5	M34.0 x P0.5					
External dimensions* (mm)	ø 33.5 x 28.2		ø 33.5 x 36.0	ø 33.5 x 38.2	ø 33.0 x 48.5	ø 33.0 x 52.5		ø 33.0 x 53.1			ø 57.5 x 53.2	ø 42.0 x 36.1	ø 39.5 x 35.2	ø 39.5 x 34.0	ø 39.5 x 45.2			

\* As lenses are larger than camera bodies, protrusions on camera attachment surface may interfere with lens operation. In such case, use the optional camera bracket to ensure that protrusions do not affect lens operation.  
<sup>\*</sup> Lens support varies according to camera type. Contact your local Epson dealer for details.

Other Options	
Extension tube set	Can be inserted between the camera and lens to adjust focusing distance and field of view. Set includes 0.5, 1, 5, 10, 20, and 40 mm tubes (1 each). Tubes can be used singly or in combination to obtain the desired focusing distance.
	
High-flex GigE camera cable (5 m / 10m)	Cable for connecting GigE cameras to CV2, GigE camera PoE injector, or switching hub.
High-flex GigE camera trigger cable (5 m / 10 m)	Camera triggering cable for connecting GigE cameras to robot controller.
CAT5e Ethernet cable (5 m / 10 m)	Cable for connecting robot controller to CV2, GigE camera PoE injector, or switching hub.
GigE camera PoE injector	Power supply unit to provide power to 1 GigE camera via LAN port.
GigE camera PoE switching hub	Power supply switching hub to provide power to multiple GigE cameras via LAN port.
Power cable (for PoE injector or switching hub)	Power supply cable for GigE camera PoE injector and switching hub.
GigE camera tripod adapter	1/4-inch threaded adapter for attaching a GigE camera to a tripod.

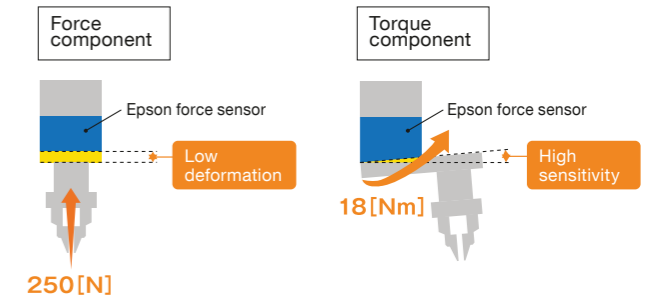
High-rigidity, high-sensitivity S250 Series force sensors are specifically designed for use with Epson robots, enabling extremely precise force control for high-precision assembly tasks.

### 03 Force sensors

S250 Series force sensors incorporate exclusive Epson crystal piezoelectric technology that ensures a higher level of rigidity and sensitivity than conventional force sensors.

#### Advantage 1 high rigidity

S250 Series sensors are extremely rigid and resistant to deformation under heavy loads. They have a rated load of 250[N] on the X, Y, and Z axes, and a moment of force of 18[Nm] that makes them particularly sensitive to axial stress.

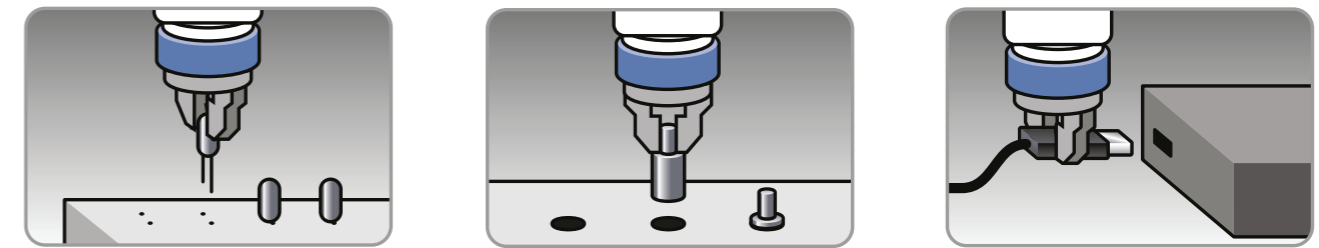


#### Advantage 2 high sensitivity

S250 Series sensors also ensure excellent sensitivity and quick response with high resolution of 0.1[N] and a low noise level of 0.035[N] on the X, Y, and Z axes.

#### Force-sensing system applications

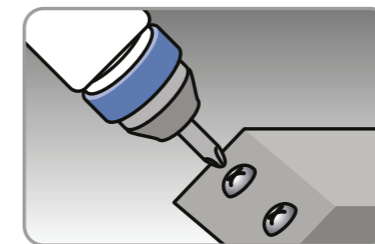
Robots equipped with an Epson S250 Series force sensing system can handle high-precision tasks that cannot be safely automated with teaching or machine vision systems alone. As a result, even production processes that previously required experienced workers to handle delicate and easily damaged workpieces can be fully automated.



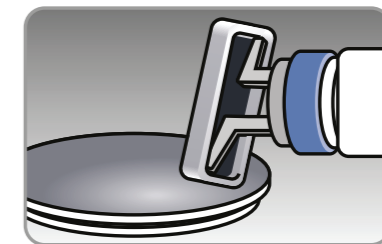
Delicate component assembly<sup>②</sup>

Precision mating

Connector insertion



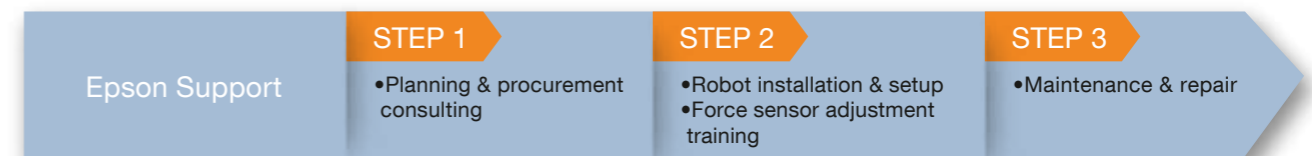
Precision screw assembly



Fine polishing

#### One-stop Epson support

From initial planning and procurement, to setup, adjustment, ongoing maintenance and re-pair, Epson provides one-stop support for all your force-sensing system and automation needs.



High-rigidity, high-sensitivity S250 Series force sensors are specifically designed for use with Epson robots, enabling extremely precise force control for high-precision assembly tasks.

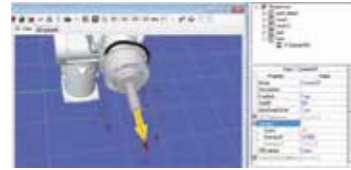
## Easy force sensing program development

The new Force Guide interface makes it easy to develop force sensor operating programs simply by dragging Force Guide object icons into a flow chart. In addition, simulator motion display and force waveform monitoring make debugging easier than ever before.



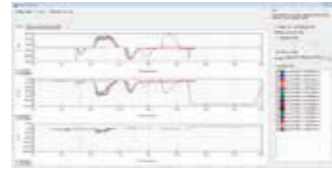
### Force Guide GUI

The Force Guide interface provides a clear explanation of what each programming object does, as well as a flow chart view for easy confirmation of program sequence ordering.



### Simulator

The simulator enables quick confirmation of the direction of robot arm movement and axis coordinates.



### Force waveform display & recording

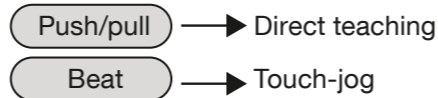
The force waveform display allows realtime waveforms to be compared with previously recorded waveforms, enabling users to identify operating anomalies and understand how various conditions affect performance.

## Direct teaching function

6-axis robots equipped with force sensors can be taught using the Epson TP2/TP3 teaching pendant. Operators can manually move the robot arm and manipulator to the desired position and use the teaching pendant to confirm hardness/softness of the workpiece and the force to be applied.\*

## Touch-jog function\*

In addition to the standard button-operated jog and teaching modes, the TP2 teaching pendant now has a direct teaching mode with a touch-jog function that makes 6-axis robot teaching much easier. During direct teaching operations, you can simply tap the effector to make small, incremental adjustments to the effector's position. There's no need to manually switch input modes because the system can automatically recognize the amount of force being applied to the effector.



\* Supported by TP2 teaching pendant and C4, C8, N2, and N6 robots (controller firmware v7.4.6 or newer required)

## Product photos

### S250 Series force sensor



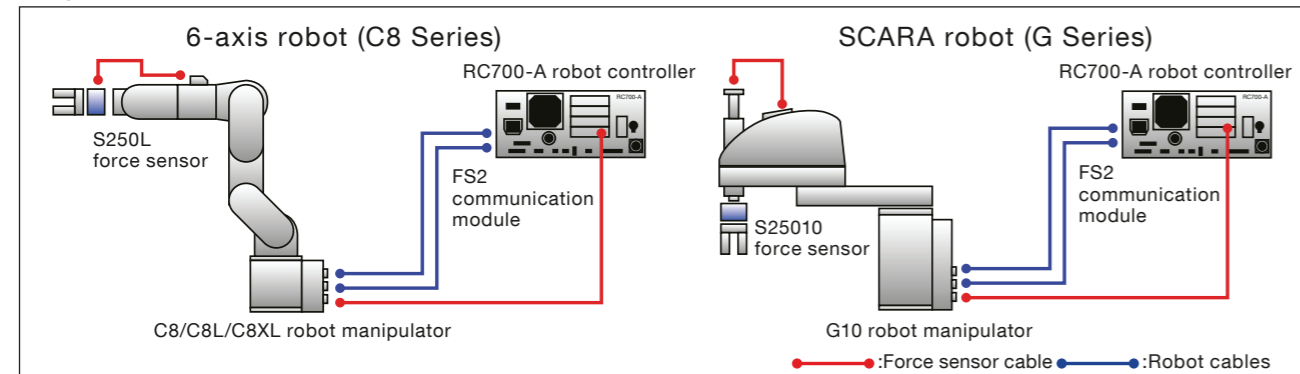
### FS2 communication module



### FS2 system requirements

Supported controller	RC700-A One FS2 module per controller (inserted in option slot)
No. of supported force sensors	One sensor per module
Power supply	Via option slot

## System setup examples



## Force sensor specifications

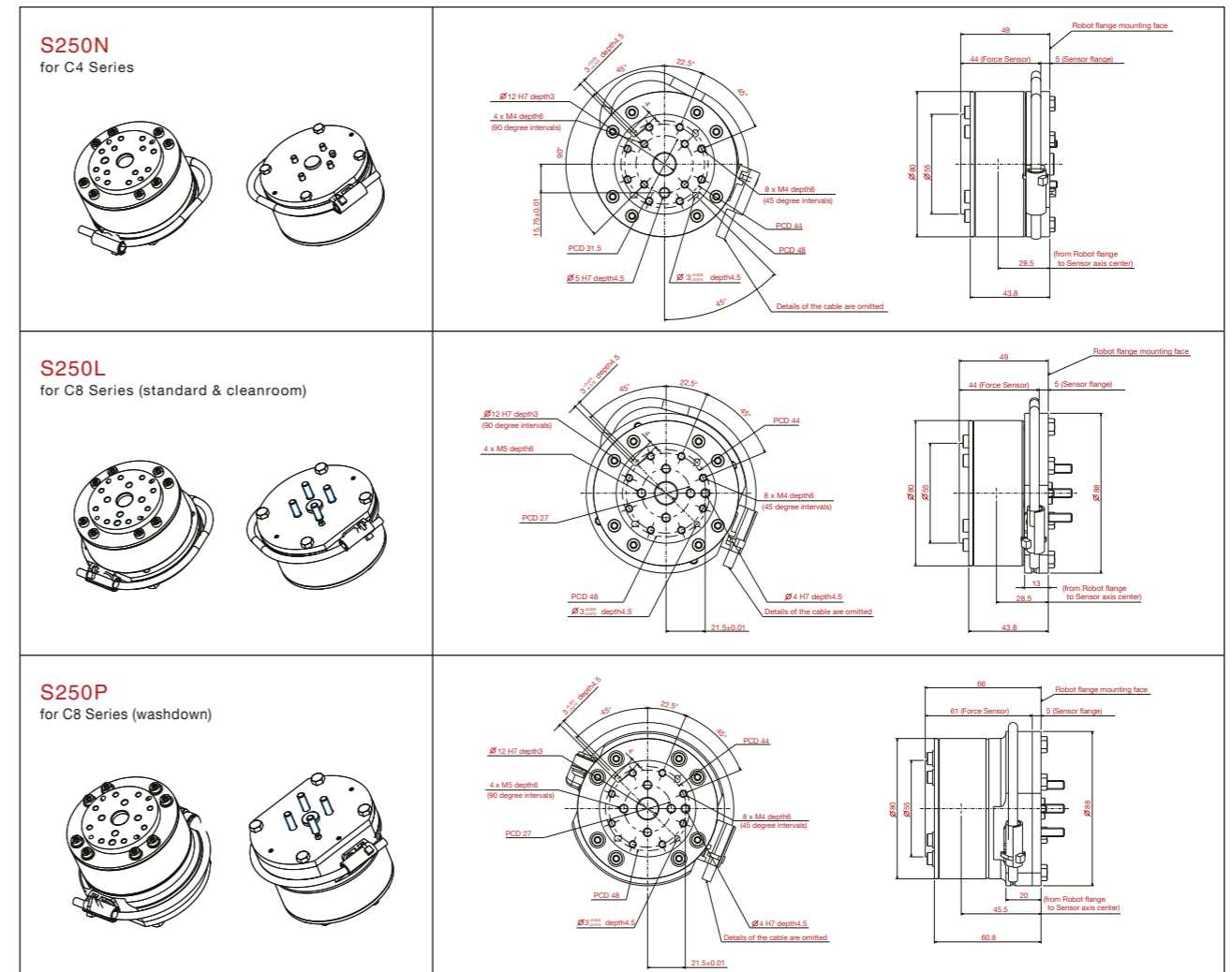
Sensor model	S250N	S250L	S250P	S250H	S2503/S2506/S2510	SH250LH <sup>*3</sup>
Applicable robot	C4 Series	C8 Series Standard/Cleanroom <sup>*1</sup> Protection		N2 Series	G Series <sup>*2</sup> RS Series	N6 Series
Dimensions	Ø80 x H49mm	Ø88 x H49mm	Ø88 x H66mm	Ø80 x H49mm	Ø80 x H52mm	Ø84.5 x H48mm
Weight <sup>*4</sup>	460g	520g	680g	460g	640g	460g
Supported controller	RC700-A					
Measurement freedom	6-axis: Force Fx, Fy, Fz; Moment Tx, Ty, Tz					
Rated load	Fx, Fy, Fz: 250N, Tx, Ty, Tz: 18N·m					
Static load capacity	Fx, Fy, Fz: 1000N, Tx, Ty, Tz: 36N·m					
Measurement resolution	Fx, Fy, Fz: ±0.1N以下, Tx, Ty, Tz: ±0.003N·m					
Measurement precision	less than ±5% R.O.					
Operating environment	Temperature	-10 ~ 40 °C				
	Humidity	10~80%Rh (no condensation)				
Cable length (between robot and cable box)	3m/5m/10m/20m			3m/5m/10m		3m/5m/10m/20m
Protection class	IP67 (S250P), IP20 (S250N, S250L, S2503, S2506, S2510)					IP20
Included items	FS1 communication module, communication cable, mounting flange					

\*1: Dimensions/weight exclude vertical clearance for user-installed cabling

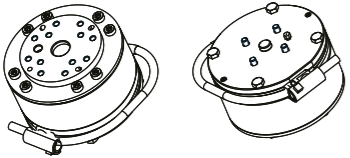
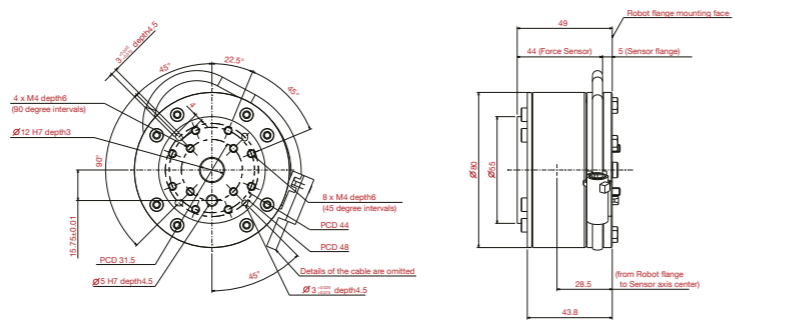
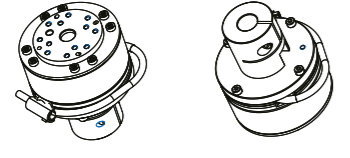
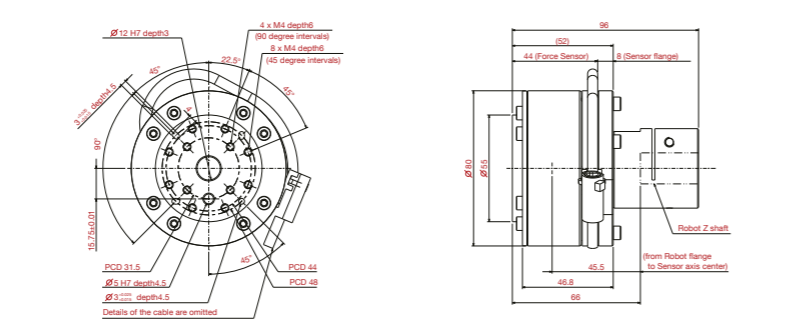
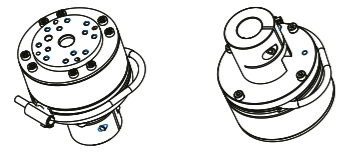
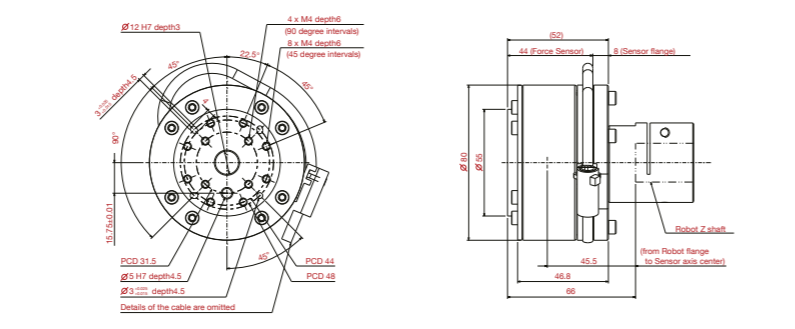
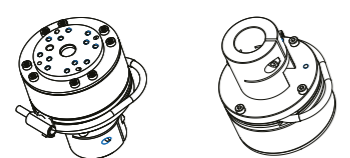
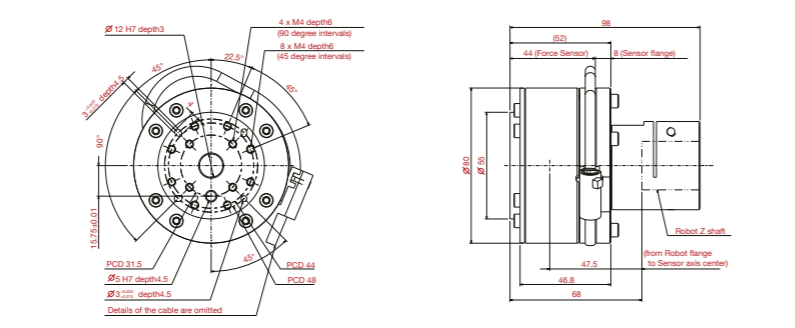
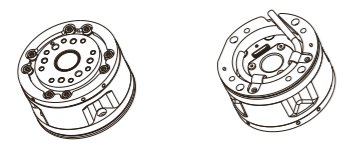
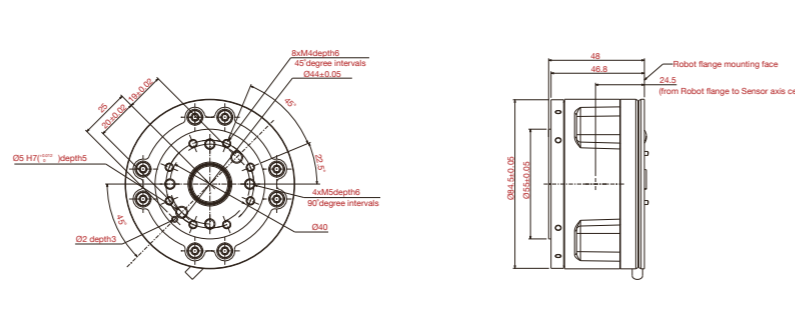
\*2: Except shielded and G1 robots

\*3: Supports pass-through cable connection

\*4: Including sensor and mounting flange, but excluding cable



Epson's long experience in the development of industrial robots and control technologies enables us to offer a wide range of software options.

<p><b>S250H</b> for N2 Series</p> 	
<p><b>S2503</b> for RS3, RS4 and G3 robots</p> 	
<p><b>S2506</b> for G6 robots</p> 	
<p><b>S25010</b> for G10 and G20 robots</p> 	
<p><b>SH250LH</b> for N6 Series</p> 	

RC+ API 7.0

Compatible controllers  
RC700-A RC90-B T series VT series

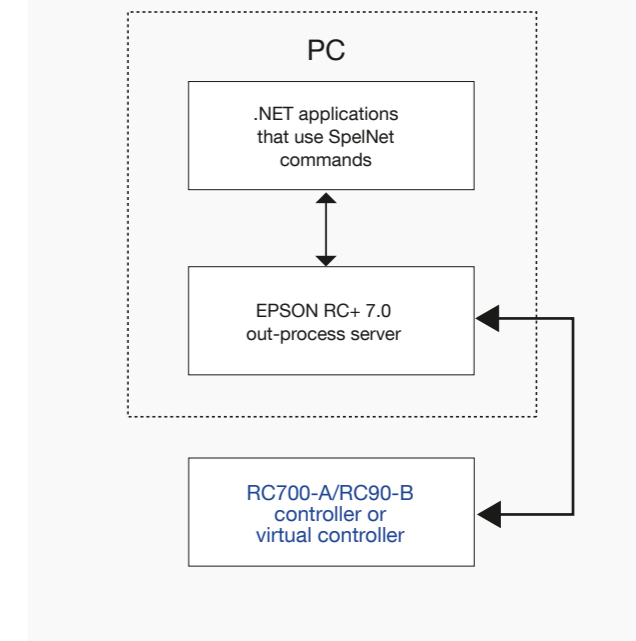
Program and execute robot applications in a familiar Windows® OS environment

- Robots can be controlled using Visual Basic®, Visual C®, LabVIEW™, and other third-party programming languages.
- Robot status and variable values can be captured.
- Third-party Visual Basic interface and database design tools can also be used for program development.
- The following EPSON RC+ windows and dialogs can be called from within a Visual

Basic application:

- Robot Manager
- I/O Monitor
- Task Manager
- Maintenance Dialog
- Simulator
- Pressure Monitor

RC+API 7.0 basic system



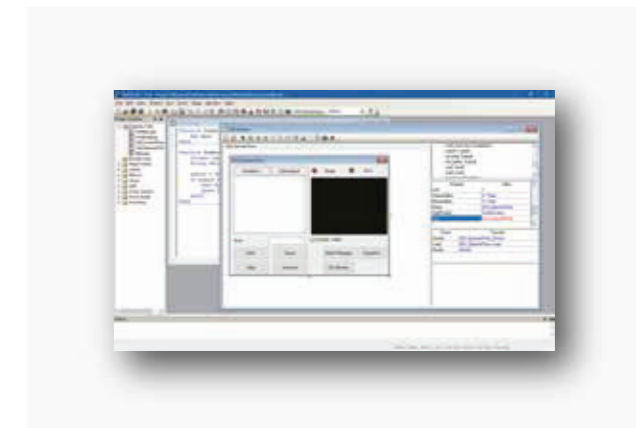
GUI Builder

Compatible controllers  
RC700-A RC90-B T series VT series

Easily create custom interfaces for your control programs

at the leading edge of industrial robot design

- Quickly and easily create control program custom interfaces that can take the place of dedicated PLCs and display devices.
- Full-featured toolset is easy to understand and use.
- Enables simple GUI creation without using Visual Studio® or other third-party software tools.
- Makes it easy to build a graphical user interface, even if you've never built one before.

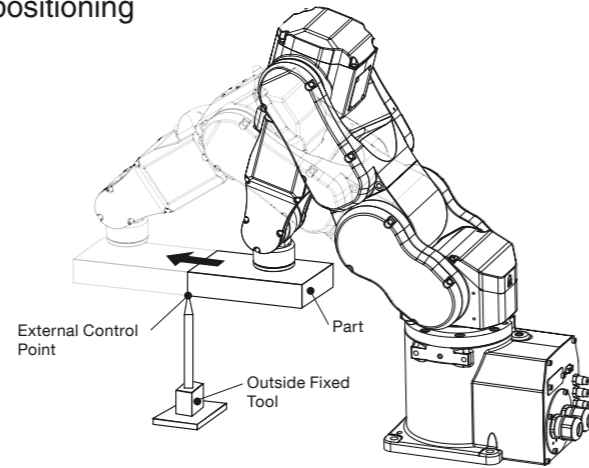


ECP

Compatible controllers  
RC700-A RC90-B T series VT series

External control point operation for precise positioning without complex calculations

- For processes requiring the workpiece to be moved against a fixed tool, external control points can be used to ensure precise positioning.
- Up to 15 external control points can be set.



OCR

Compatible controllers  
RC700-A RC90-B T series VT series

Optical character recognition of text on parts and labels

- For use with optional Vision Guide software.
- Recognizes characters in images and converts them to text data.
- Images of characters can be registered as text target models.

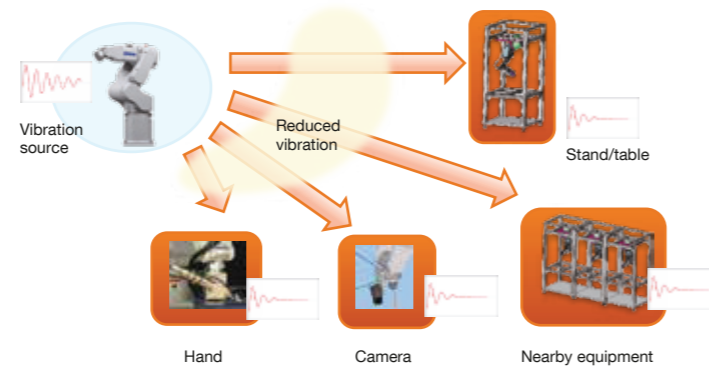
VRT

Compatible controllers  
RC700-A RC90-B T series VT series

Reduced residual vibration for higher productivity

- Advanced vibration reduction technology (VRT) helps reduce residual vibration\* in the robot hand and mounting stand that is generated by robot motion, enabling faster acceleration for reduced cycle time and higher yield.

\* Residual vibration must be pre-measured using the optional VR unit.



04 Teaching Pendant (TP3)

Compatible controllers  
RC700-A RC90-B T series VT series

Tablet-type teaching pendant with 10.1-inch color touchscreen for intuitive operation and fast, easy 6-axis robot teaching

Easy-to-view screen

- 10.1-inch TFT LCD (w/ LED backlight)
- 1280 x 800 resolution
- Color display



Easy operation

- Simple screen layout, fast response
- Standard RC+ program interface

Advanced features

- 3D robot graphics, programming functions and parameter settings
- High-speed test mode
- Programs can be started/stopped from operating panel

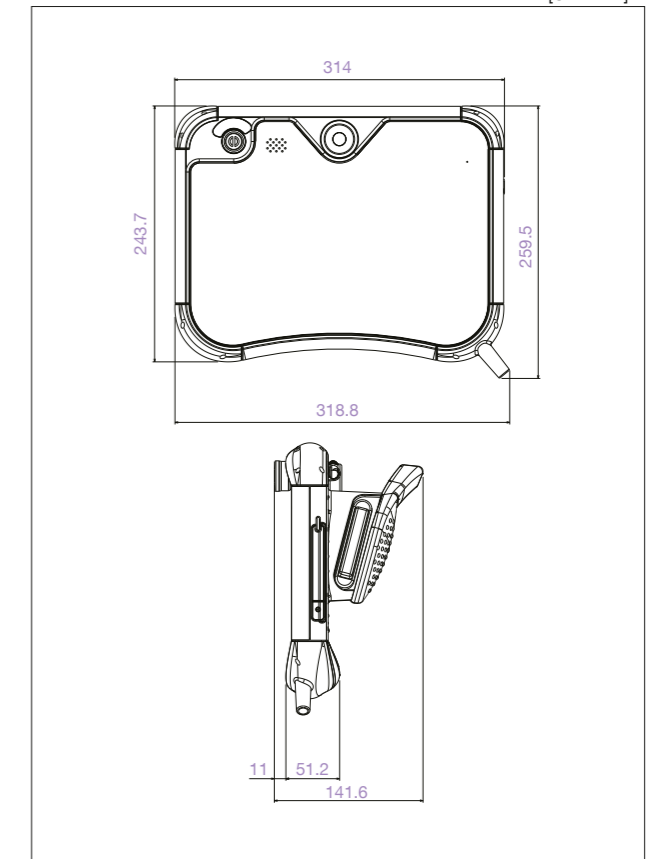
Main specifications

Dimensions (mm)	314(W) x 244(H) x 142(D)
Weight	1.5kg (excluding cable)
Body color	Black
Connectivity	Wired
Display	10.1-inch TFT LCD (w/ LED backlight) Resolution: 1280 x 800
Controls	Touchscreen controls Emergency stop button Enable switch Mode switch Control keys (JOG, EXE buttons) USB port
Cable length	5m (10m, 15m extension cables available)
Interface languages	English, Japanese, German, French, Chinese (simplified, traditional)
Ingress protection	IP65
Operating temperature range	0-40°C (stable temperature)
Operating humidity range	5-95% (relative humidity)
Operating environment	Low levels of dust, oil mist, salt, iron particles and other contaminants No flammable or caustic liquids or gases nearby



External dimensions

[Unit: mm]





## 04 Teaching Pendant (TP2)

Compatible controllers  
RC700-A RC90-B T series VT series

### Easy-to-use pendant for teaching

- Universal design ensures ease of use for both right-handed and left-handed operators.
- Connects directly to operator unit or controller interface card.

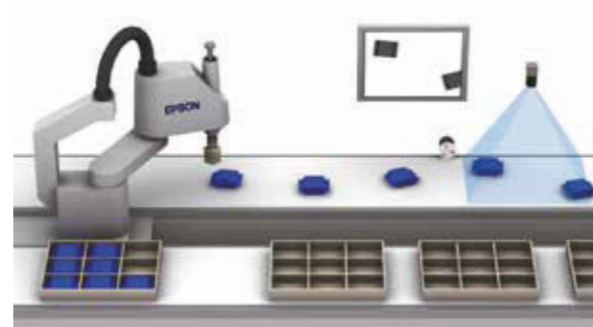


## 05 Conveyor tracking

Compatible controllers  
RC700-A RC90-B T series VT series

### Precision tracking for high-productivity pick-and-place operation

- Enables pick-and-place handling of items on a high-speed conveyor.
- Uses machine vision/sensors to detect workpiece and effect robot handling.
- Can automate manual kitting/packaging tasks and help maintain productivity regardless of continuous/intermittent conveyor operation. Can also be used for workpiece assembly.
- Simple start/stop program execution.



\*Vision Guide software required.

## 05 PG motion system

Compatible controllers  
RC700-A RC90-B T series VT series

### Control peripheral robots for fully integrated process automation

- EPSON RC+ software and pulse generator (PG) cards enable control of multiple third-party drives and motors.
- PG robots and standard EPSON RC+ system robots can be operated simultaneously, and controlled using the same commands.
- PG cards can be used to control X/Y tables, sliders, turrets,

and a wide range of other production/inspection line peripherals.

- Each PG card has 4 channels, and can support from 1 to 4 robots. Up to 4 cards can be mounted.

\*PG motion system requires optional EPSON RC+ software and at least one optional PG output board. Drivers and motors for third-party devices are not included.

## 06 Emergency stop switch

Compatible controllers  
RC700-A RC90-B T series VT series

### Helps prevent injuries and damage

- Immediately stops robot operation in emergency situations.



## 07 RS-232C cards

Compatible controllers  
RC700-A RC90-B T series VT series

### Expanded serial port connectivity

- 2-port RS-232C cards to connect serial interface devices.



## 08 I/O expansion cards

Compatible controllers  
RC700-A RC90-B T series VT series

### Expanded input/output flexibility

- 24-input/16-output expansion cards.



## 09 Fieldbus I/O (slave)

Compatible controllers  
RC700-A RC90-B T series VT series

### High-speed peripheral connectivity

- 2048-point I/O support for DeviceNet™, Ethernet/IP™, PROFIBUS®, and PROFINET® networked peripherals, and 384-point I/O support for CC-Link® networked peripherals.

## 10 Fieldbus I/O (master)

Compatible controllers  
RC700-A RC90-B T series VT series

### Bidirectional high-speed peripheral connectivity

- Support for DeviceNet™, PROFIBUS®, and Ethernet/IP™ networked peripherals (1024-point I/O).

## 11 Analog I/O card

Compatible controllers  
RC700-A RC90-B T series VT series

### For analog control of voltage and current I/O

- Analog control of input and output current and voltage allows regulation of secondary equipment such as paint sprayers to match the speed of robot arm motion. Available in 1 channel and 4 channel models.

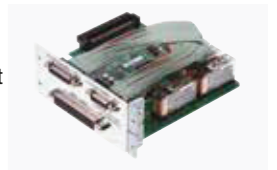


## 12 EUROMAP 67 card

Compatible controllers  
RC700-A RC90-B T series VT series

### For use with thermoplastic injection molding machines

- EUROMAP 67 compliant electrical interface with 15-point input and 16-point output.



## 13 I/O cable kit

Compatible controllers  
RC700-A RC90-B T series VT series

### Cables and connectors for easy connectivity with no soldering required

- A wide range of I/O cables and connectors are available.



## 14 Hot plug kit

Compatible controllers  
RC700-A RC90-B T series VT series

### Easy Teach Pendant connection/disconnection

- Allows Teach Pendant to be connected or disconnected without an emergency stop.



\*Conversion cable required for use with TP1 or TP2.

## 15 Wall mount option

Compatible controllers  
RC700-A RC90-B T series VT series

### Optional wall mounting box

- Allows controller to be mounted on a wall.



Epson robot manipulator options provide the enhanced functionality and configuration flexibility you need for full-process automation.

16 External wiring units

Compatible manipulators

G1	G3	G6	G10	G20	LS3	LS6	LS10	LS20	T3	T6	VT6	RS3	RS4	C4	C8	N2	N6
----	----	----	-----	-----	-----	-----	------	------	----	----	-----	-----	-----	----	----	----	----

Simplifies wiring when mounting manipulator options

- Enables easy, on-site connection of external wiring by users.
- Ideal for connecting Vision Guide system camera cables or other wiring.



17 Internal wiring unit

Compatible manipulators

G1	G3	G6	G10	G20	LS3	LS6	LS10	LS20	T3	T6	VT6	RS3	RS4	C4	C8	N2	N6
----	----	----	-----	-----	-----	-----	------	------	----	----	-----	-----	-----	----	----	----	----

Enables wiring and conduits for the hand to be enclosed within the robot arm assembly.



18 SCARA tool adapters

Compatible manipulators

G1	G3	G6	G10	G20	LS3	LS6	LS10	LS20	T3	T6	VT6	RS3	RS4	C4	C8	N2	N6
----	----	----	-----	-----	-----	-----	------	------	----	----	-----	-----	-----	----	----	----	----

Enhances handling/processing versatility and simplifies effector changes



19 ISO flanges

Compatible manipulators

G1	G3	G6	G10	G20	LS3	LS6	LS10	LS20	T3	T6	VT6	RS3	RS4	C4	C8	N2	N6
----	----	----	-----	-----	-----	-----	------	------	----	----	-----	-----	-----	----	----	----	----

For easy attachment of effectors to 6-axis robot arms

\* Flange configuration varies according to robot model. Please specify model when ordering flanges.

20 Brake release units

Compatible manipulators

G1	G3	G6	G10	G20	LS3	LS6	LS10	LS20	T3	T6	VT6	RS3	RS4	C4	C8	N2	N6
----	----	----	-----	-----	-----	-----	------	------	----	----	-----	-----	-----	----	----	----	----

Enables brake release so robot arm can be moved by hand when power is switched off at the leading edge of industrial robot design

21 Power and signal cables

Compatible manipulators

G1	G3	G6	G10	G20	LS3	LS6	LS10	LS20	T3	T6	VT6	RS3	RS4	C4	C8	N2	N6
----	----	----	-----	-----	-----	-----	------	------	----	----	-----	-----	-----	----	----	----	----

Standard 3m cables, or optional 5m and 10m cables for greater freedom in controller and robot placement

22 Power cable connectors

Compatible manipulators

G1	G3	G6	G10	G20	LS3	LS6	LS10	LS20	T3	T6	VT6	RS3	RS4	C4	C8	N2	N6
----	----	----	-----	-----	-----	-----	------	------	----	----	-----	-----	-----	----	----	----	----

Power cables are available with straight or L-shaped angle connectors\*

\* Controller-end connectors only



23 Camera mounting bracket

Compatible manipulators

G1	G3	G6	G10	G20	LS3	LS6	LS10	LS20	T3	T6	VT6	RS3	RS4	C4	C8	N2	N6
----	----	----	-----	-----	-----	-----	------	------	----	----	-----	-----	-----	----	----	----	----

Securely mount machine vision system camera to robot arm



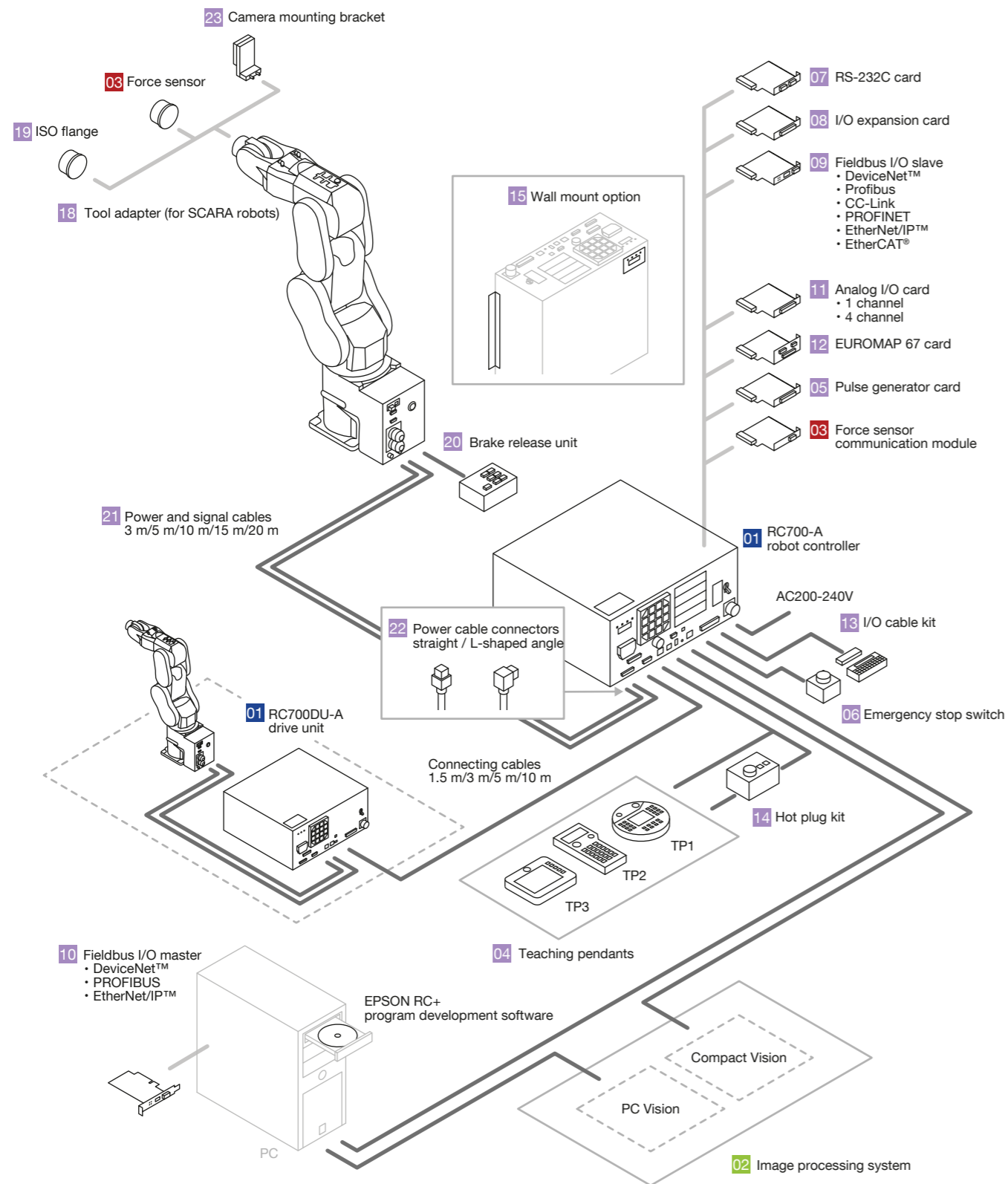
Bracket design varies according to robot; please specify model when ordering.

Software options					
	RC700-A	RC700-D	RC90-B	T series	VT
02 Vision Guide 7.0	●	●	●	●	●
03 Force Guide 7.0	●	●	—	—	—
RC+ API 7.0	●	●	●	●	●
ECP	●	●	●	●	●
GUI Builder 7.0	●	●	●	●	●
OCR	●	●	●	●	●
VRT	●	●	●	●	●

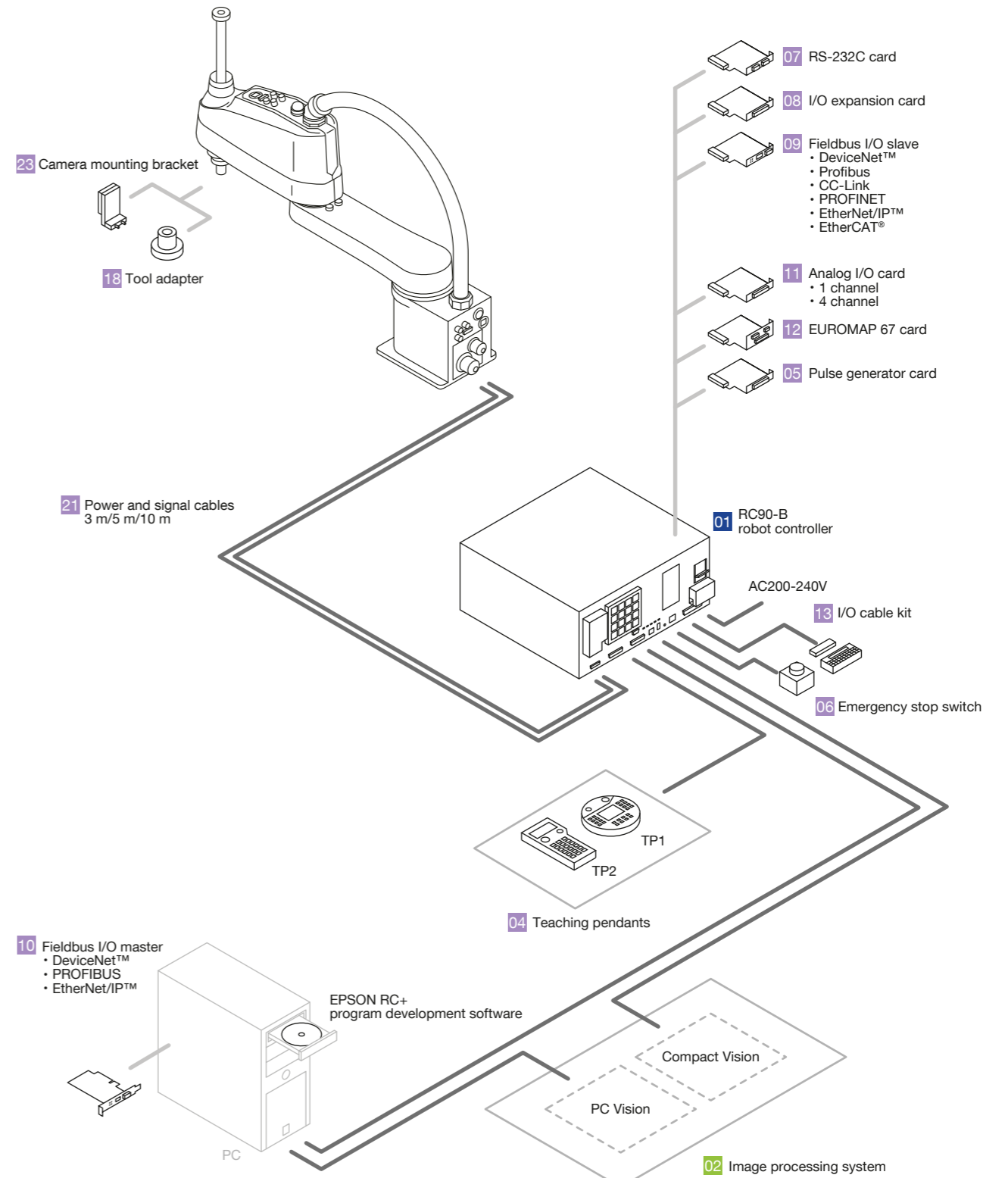
Controller options					
	RC700-A	RC700-D	RC90-B	T series	VT
04 Teaching Pendant (TP2)	●	●	●	●	●
04 Teaching Pendant (TP3)	●	●	—	●	●
05 Conveyor tracking	●	●	●	—	—
05 PG motion system	●	●	●	—	—
06 Emergency stop switch	●	●	●	●	●
07 RS-232C cards	●	●	●	—	—
08 I/O expansion cards	●	●	●	—	—
09 Fieldbus I/O (Slave)	●	●	●	●	●
10 Fieldbus I/O (Master)	●	●	●	●	●
11 Analog I/O card	●	●	●	—	—
12 EUROMAP 67 card	●	●	●	—	—
13 I/O cable kit	●	●	●	—	—
14 Hot plug kit	●	●	—	●	●
15 Wall mount option	●	●	—	—	—

Manipulator options														
	G1	G3	GX4	G6	GX8	G10/G20	LS3/LS6/LS10/LS20	T3-B/T6-B	RS3/RS4	C4	C8	N2	N6	VT6
16 External wiring units	—	—	—	●	●	●	—	—	—	—	—	—	—	●
17 Internal wiring unit	—	—	—	—	—	—	—	—	●	—	—	—	—	—
18/19 Tool adapters/ISO flanges	—	●	●	●	●	●	●	●	●	—	●	●	●	●
20 Brake release units	—	—	—	—	—	—	—	—	—	●	●	●	●	—
21 Power and signal cables	●	●	●	●	●	●	●	(built-in controller)	●	●	●	●	●	●
Cable length (m)	3,5,10,15,20						3,5,10							
Cable type (Standard/High-flex)	Standard						Standard	Standard	Standard/High-flex	Standard	Standard/High-flex			
22 Power cable connectors (Straight/L-type)	Straight/L-type							Standard	Straight/L-type					
23 Camera mounting bracket	—	●	●	●	●	●	●	●	●	●	●	●	●	●
RC700DU-A (Drive unit)	●	●	—	●	—	●	—	—	●	●	●	—	●	—

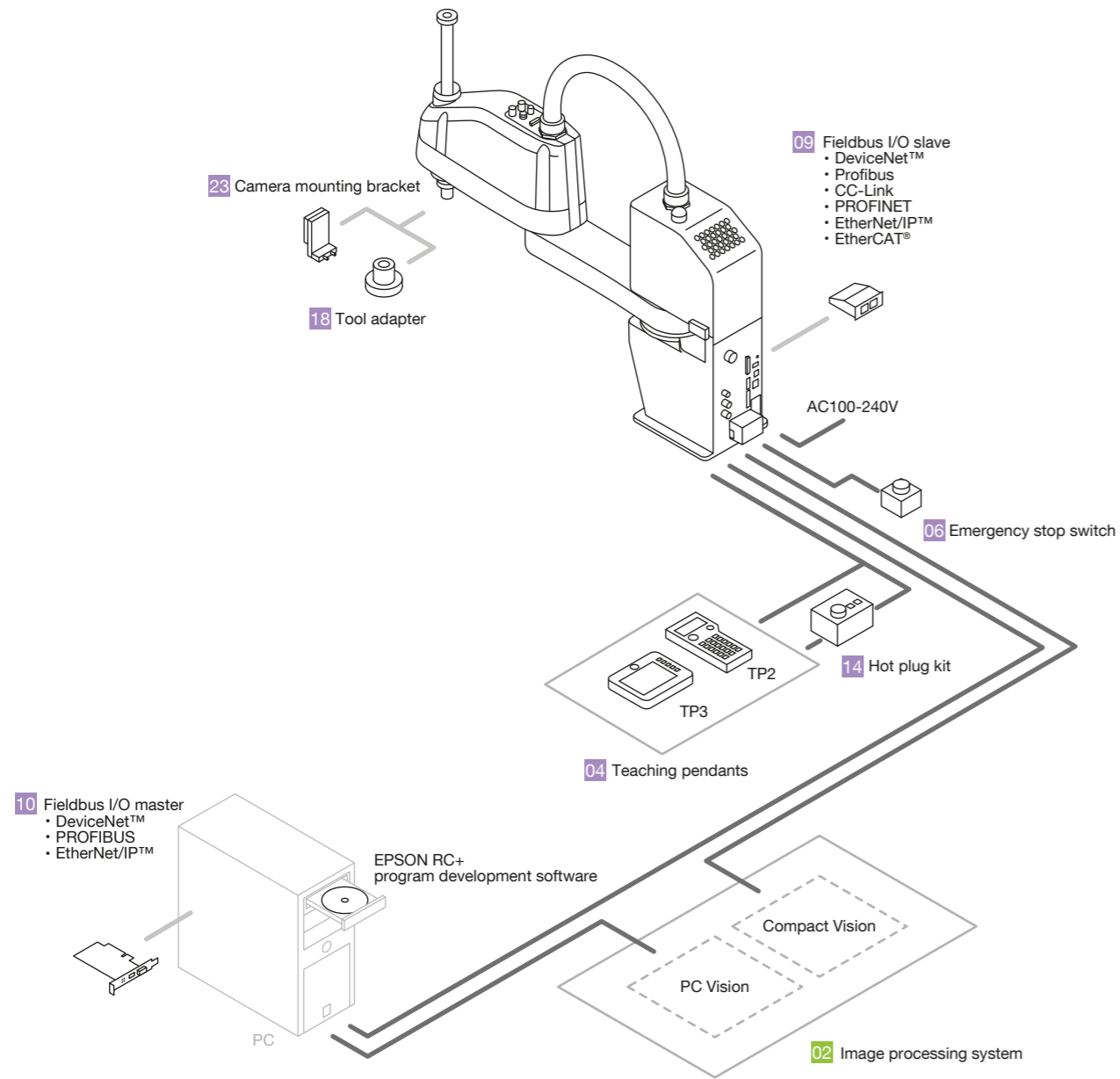
RC700-A controller with C series robots



RC90-B controller



T series robot



VT series robot

