

# AESTHETICALLY PLEASING IN EVERYWAY

**EPSON**  
EXCEED YOUR VISION



## **EH-LS500B**

Home Entertainment Projector



**IT'S IN THE DETAILS.**

3LCD technology that delivers quality projected images and reliable performance.

## Fuss-free Installation

Coupled with Epson's unique ultra short-throw lens, this sleek and compact design of EH-LS500B allows you to project up to 130-inch of bright and vivid images, right from your TV console. It comes with a built-in speaker that provides you the opportunity to be immersed in a breathtaking cinematic experience at the comfort of your home.

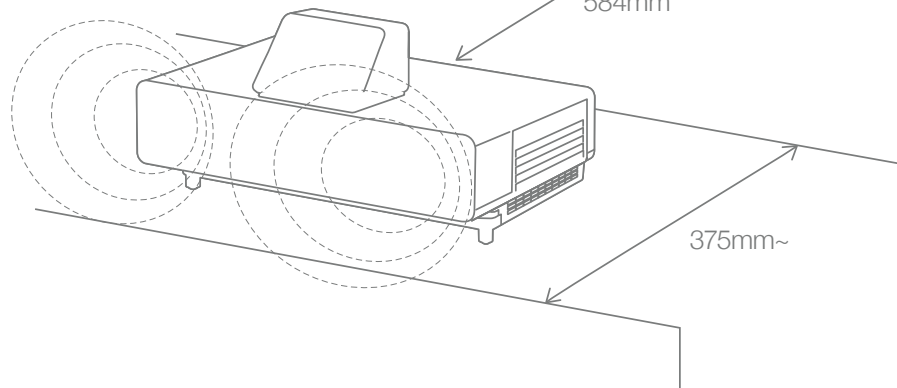
Height:  
1,620mm

Diagonal: 130"

Width: 2,880mm

584mm

375mm~



## Screen-less Experience

No longer do you have to deal with black TV screen that sticks out like a sore thumb. Instead, let the wall at home be your canvas with EH-LS500B that is able to display big and beautiful projections as and when you want it.



ON



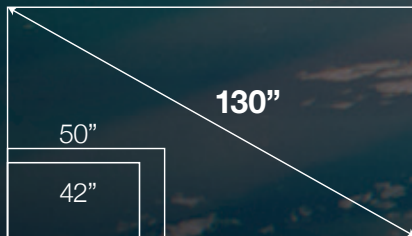
OFF



# Aesthetically Pleasing Visual Experience


Stylish and neat design that blends seamlessly into your living space. Enjoy an immersive viewing experience for any occasion.





## Immersive Large Sized Display

Redefine the TV viewing experience at home, with Epson's EH-LS500B ultra short-throw laser home projector. This compact projector is meant to replace LCD and OLED televisions as it is able to project up to 130-inch screen size - larger than what a conventional TV screen is able to.

4K PRO-UHD\*   
Projection Technology





A new type of 4K, HDR visual experience utilising advanced processing for resolution enhancement, colour, and image processing – resulting in an exceptional 4K HDR viewing experience.

\*4K Enhancement Technology shifts each pixel diagonally to double Full HD resolution. Resolution is Full HD in 3D Mode.

## Epson 3LCD Technology



Advanced 3LCD and laser technology ensures 100% of the RGB colour brightness is displayed for every frame even in bright environment. This ensures outstanding colour performance while maintaining excellent brightness, without any “rainbow effect” or “colour brightness” issues seen with other projection technologies.





## Practical Yet Stylish

EH-LS500B is equipped with a fabric cloth that keeps dust away from settling on its speakers while adding a touch of aesthetic flair to the room.



 <b>PRODUCT MODEL</b>			EH-LS500B
 <b>PROJECTION TECHNOLOGY</b>			RGB liquid crystal shutter projection system
 <b>SPECIFICATIONS OF MAIN PARTS</b>			
<b>LCD</b>	SIZE NATIVE RESOLUTION		0.61 inch (C2 Fine) 1080p
<b>PROJECTION LENS</b>	TYPE F-NUMBER FOCAL LENGTH ZOOM RATIO THROW RATIO		No optical zoom / Focus (Manual) 1.5 3.99 mm 1.0 - 1.35 (Digital Zoom) 0.28
<b>LIGHT SOURCE</b>	TYPE LIFE (NORMAL / EXTENDED)		Laser Diode 20,000 hours (Normal/Eco)
 <b>SCREEN SIZE (PROJECTED DISTANCE)</b>			65" to 130" [0.398 to 0.817 m] Standard size: 80" screen 0.49 m
 <b>BRIGHTNESS</b>	WHITE LIGHT OUTPUT (NORMAL / ECO) COLOUR LIGHT OUTPUT		4,000 lm / 1,200 lm 4,000 lm
 <b>CONTRAST RATIO</b>			Over 2,500,000:1
 <b>INTERNAL SPEAKER(S)</b>	SOUND OUTPUT		10W x 10W Stereo
 <b>GEOMETRIC CORRECTION</b>	KEystone	VERTICAL HORIZONTAL	± 3 degrees ± 3 degrees
 <b>LENS SHIFT RANGE</b>	VERTICAL LENS SHIFT HORIZONTAL LENS SHIFT		NA NA
 <b>CONNECTIVITY</b>	ANALOG INPUT DIGITAL INPUT AUDIO OUT USB INTERFACE	D-SUB 15PIN HDMI	NA 3 (HDCP 2.2) 1
		USB TYPE A	1 (For 2A Power Supply, Firmware Update and Copy OSD Settings)
		USB TYPE B USB TYPE B MINI	NA 1
	CONTROL I/O	RS-232C Trigger Out (12V)	D-sub 9pin x 1 NA
	NETWORK	WIRED LAN WIRELESS	RJ45 x 1 Optional (ELPAP10)
 <b>DIMENSION EXCLUDING FEET (W x H x D)</b>			458 x 209.5 x 375 mm



© 2019 Epson Singapore Pte Ltd. All Rights Reserved. Reproduction in part or in whole, without the written permission from Epson, is strictly prohibited. EPSON and EXCEED YOUR VISION are registered trademarks of Seiko Epson Corporation. All other products names and other company names used herein are for identification purposes only and are the trademarks or registered trademarks of their respective owners. Epson disclaims any and all rights in those marks. Print samples shown are simulations only. Specifications and product availability are subject to change without notice and may vary between countries. Please check with local Epson offices for more information.

Dealer's Stamp

Information correct at time of printing. Printed September 2019.



For latest specifications, simply visit [www.epson.com.sg/homeprojectors](http://www.epson.com.sg/homeprojectors) or call **800 120 5564**.

**Epson Singapore Pte Ltd** 1 Harbourfront Place, #03-02 HarbourFront Tower One, Singapore 098633. Tel: (65) 6586-5500 Fax: (65) 6271-9755

**Epson Customer Care Centre** 108, Pasir Panjang Road, #04-08 Golden Agri Plaza, Singapore 118535. Epson Helpdesk: 800 120 5564. Operating hours: Monday – Friday, 9am – 6pm, Saturday, 9am – 1pm. Closed on Sunday and Public Holiday.